



Building installations

Underfloor applications





Our products for your project Towards the future with OBO

Reliable, safe and of the highest quality: Product features such as installation speed, load capacity, functionality and availability are at the forefront of each of our innovations. Discover the whole range of OBO products – in a new structure, allowing us to deal in a more targeted manner with the needs of you, our customers.

It is our aim to be the first port of call for the best and most innovative connections for electrical and data technology infrastructure. Thus, when looking towards the future, we have asked ourselves what we can do to be the best possible partner you could ever imagine, also in the long term. Against this backdrop, we have optimised our structure once again, sharpened our profile and defined our services more clearly. The result: Three new areas of application, which replace our previous seven product units, in order to provide you with a contemporary and user-orientated visual identity and structure, for both products and communication. This helps you to find exactly the products you are looking for in an even faster and simpler manner.

In this catalogue, we will present the entire product variety of the Building installations application area to you. The Building installations area contains cable routing and underfloor systems for administrative and functional buildings including architectural solutions. To meet the wishes of you, our customers, as well as possible, we pay particular attention to top-class functionality during development, which also includes the highest design requirements.

This is how versatile, intelligent solutions are created, which can be used in all living spaces. Our systems transport power and data in a hidden way to the place where you need them. A large selection of device installation units and cable trunking gives you access to power, data and multimedia connections. The wide range of flexible application options thus creates an individual solution for each building.

OBO – simply better.

OBO Product Worlds



Building installations

- Electrical installation ducts and trunking
- Device installation ducts and trunking
- Skirting trunking
- Service poles
- Underfloor applications, in screed
- Underfloor applications, in concrete
- Underfloor applications, on-floor
- Service outlets for underfloor applications
- Floor sockets and floor boxes
- Installation housing and support
- Tabletop sockets
- Sockets, switches, data and multimedia technology

You can find additional products in our new Industrial and Protective installation catalogues



Industrial installations

Cable support systems and connection and fastening systems for industry and construction project infrastructure

- Cable trays
- Mesh cable trays
- Cable ladders
- Industrial ducts
- Support structures
- Electrical installation pipes
- Wiring ducts
- Power supply units
- Distributors
- Junction boxes
- Concealed and cavity wall installations
- Terminals
- Cable glands
- Installation and fastening clips
- Anchors and fastening systems



Safety and protection installations

Lightning, surge and fire protection systems

- Surge protection
- Explosion protection
- Lightning protection
- Earthing
- Equipotential bonding
- Insulation
- Cable bandages – prevention of the spread of fire
- Escape route installations – false ceiling mounting
- Fire protection ducts
- Systems for the maintenance of electrical functionality – cable-specific routing variants
- Systems for the maintenance of electrical functionality – standard support structures and routing systems
- Systems for the maintenance of electrical functionality – FireBox T series junction boxes
- Anchoring systems

Contents



Floor sockets and floor boxes

Page 10



Service outlets and cassettes for underfloor applications

Page 38



Installation housing and support

Page 154



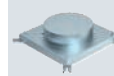
Underfloor applications, on-floor

Page 172



Underfloor applications, in concrete

Page 198



Underfloor applications, in screed

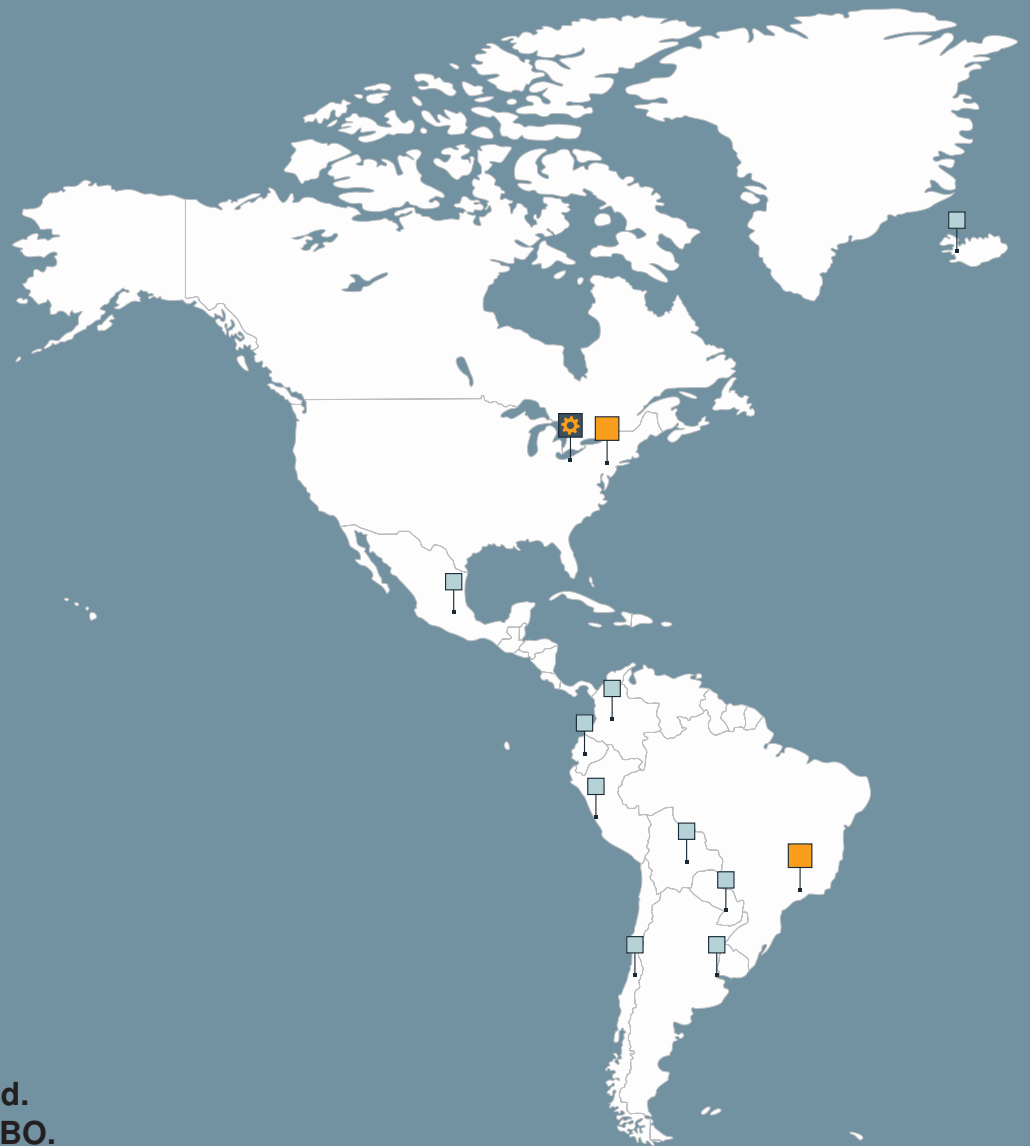
Page 206



Directories

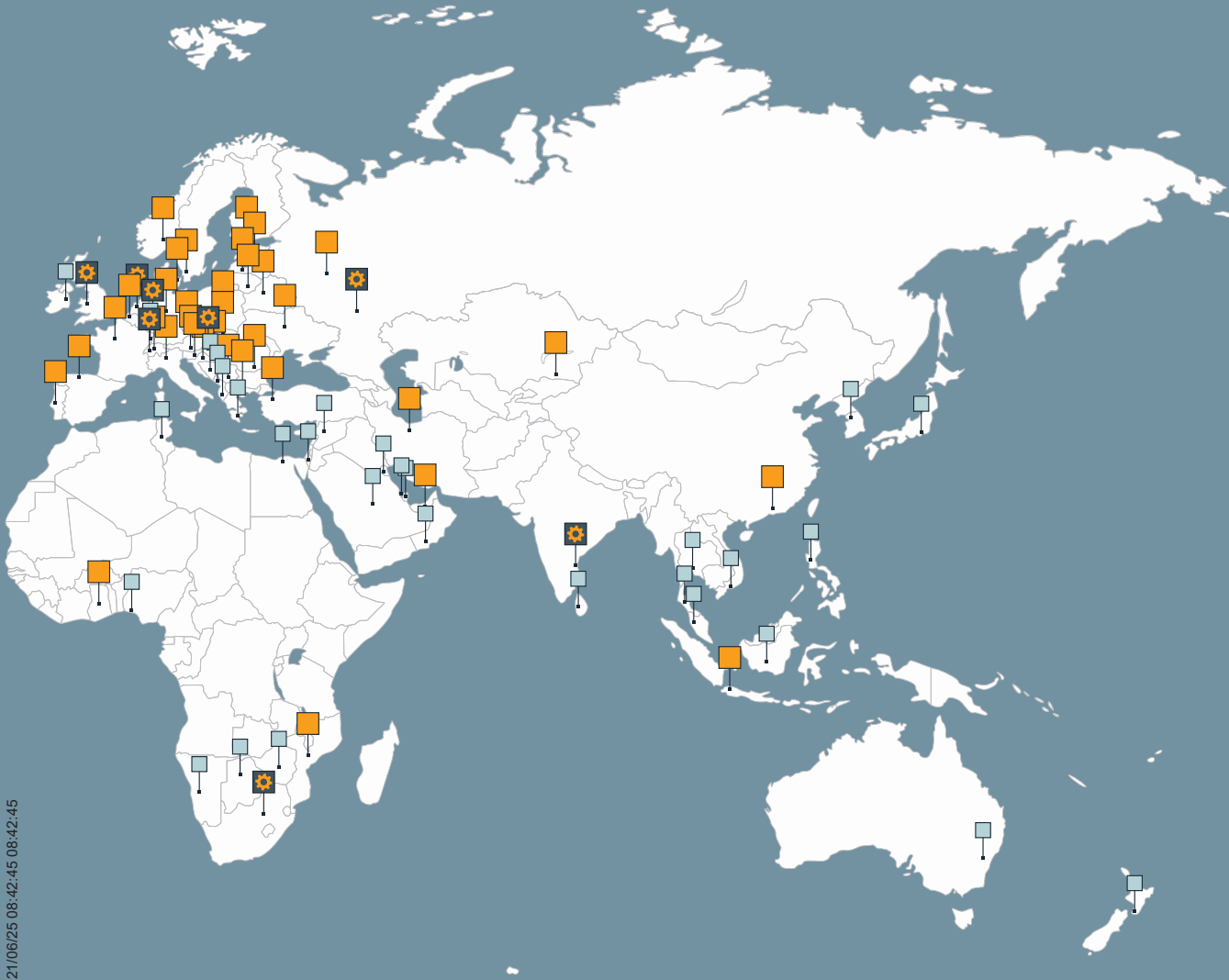
Page 294





**Welcome world.
Welcome to OBO.**

New solutions to improve functionality and the ease of installation – OBO employees all around the world use their abilities and creativity to make this happen. Because we know that each individual market has its special characteristics and that the requirements for our products change within each market, we have paid particular attention to the compatibility of products in their place of use. We always offer our customers intelligent, well-thought-out solutions. Our brands always keep this promise. The OBO global team wishes to make the work of electrical planners and operatives around the world as easy as possible.



Production location

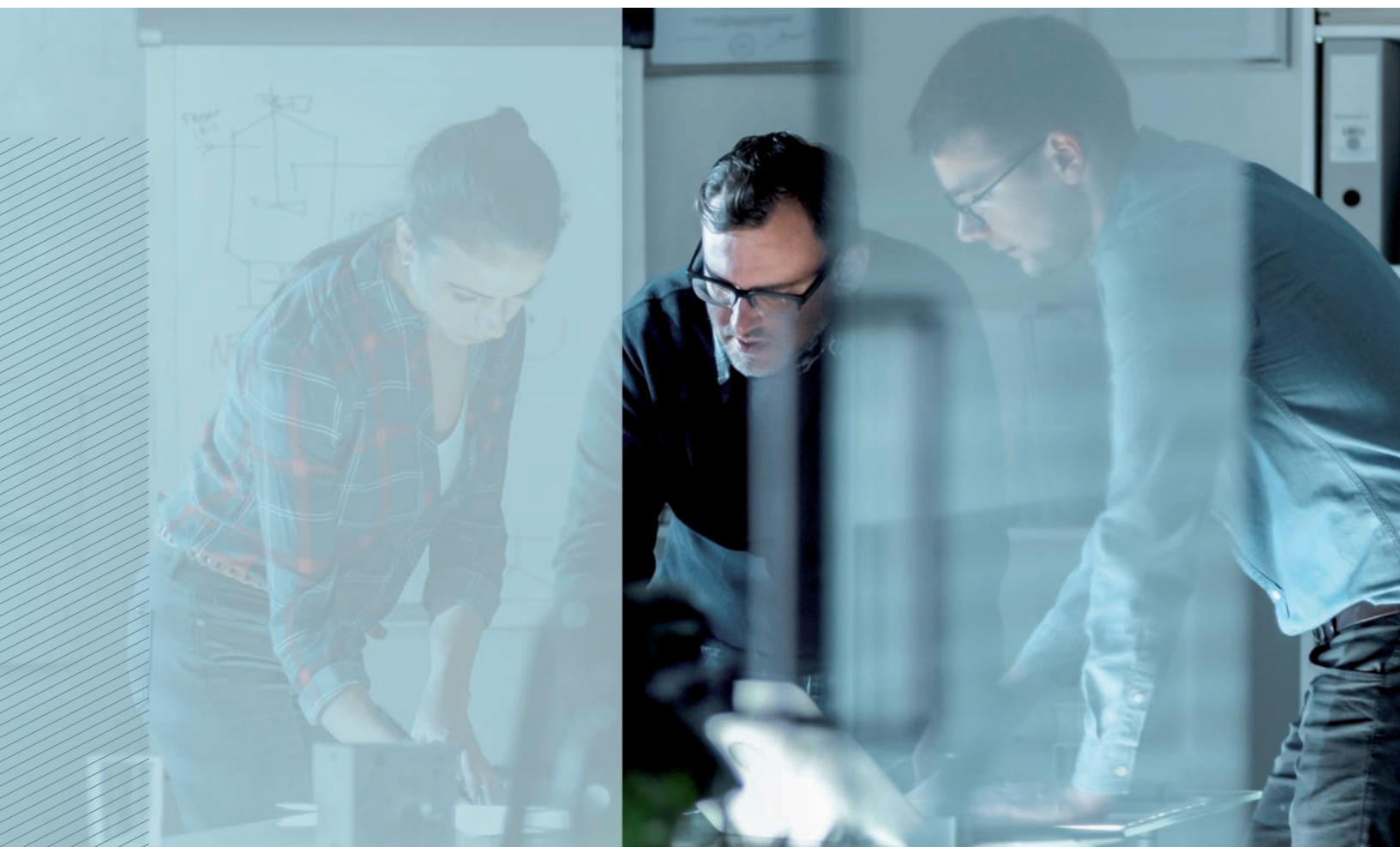


Subsidiary



Representative office

OBO Support & *contact*



***You have a
problem?
We have the
solution!***

OBO Bettermann is more than the sum of its products. In any situation, we are the reliable partner right by your side. You have a problem? We have the solution!

It doesn't matter in which area of industry our support is needed - from industrial and plant engineering to private, public and administrative buildings, as well as in the areas of mobility and renewable energies - we have all that you need.

OBO can not only provide the entire electro-technical infrastructure with the best possible products. We can also support you with sound expert knowledge and more than 100 years of experience, right from the planning phase through to the realisation of your projects. OBO - solutions you can rely on.

You can contact our Customer Service department on:

+49 2373 89 1700

Monday–Thursday
07.30–17.00

Friday
07.30–15.00

export@obo.de



Service



Training



Handling



Certification

Service – OBO can help

Everywhere and in every project phase:

- Competent hotline
- Product and system information, digitally or printed
- Selection and planning aids on the web, as an app, as a CAD application or in printed form
- 2D and 3D product data for planning
- Field service, branch offices and subsidiaries in 60 countries
- Engineering services for major projects

Training courses from OBO

- Seminars and workshops
- Local consultation and training courses
- Planner days

Handling – OBO delivers reliably

With optimised delivery processes:

- Reliable logistics
- Practical transport systems and packaging
- Loading gear handling and disposal concepts

Certification and guarantee




OBO offers safety. Our products fulfil the most important country-specific regulations:

- Conformity (e.g. IEC, VDE, CE, KEMA, KEUR, UL)
- Certification (e.g. DIN EN, DGNB)
- 5-year guarantee for surge protection products
- Guarantee management

Floor sockets and floor boxes



Floor sockets and floor boxes

	Floor sockets	12
	Floor boxes	20
	GES R2 floor sockets	26
	Screed box and installation sockets for GES R2	34
	Accessories, installation sockets	36





Elegant, discreet and robust

UDHOME floor sockets and floor boxes

The range of UDHOME complete units can position power, data and multimedia technology exactly where they are required. Floor sockets and floor boxes of the UDHOME family are mounted directly on the raw floor and connected with flexible installation pipes – it couldn't be simpler.



Easy handling from ordering to mounting



High-quality materials and solid processing



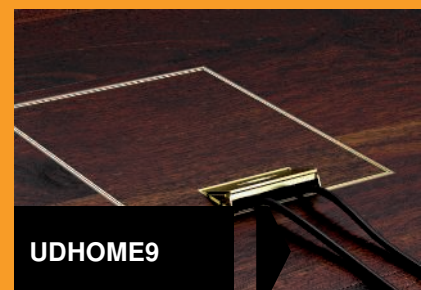
Maximum flexibility in equipment



UDHOME2



UDHOME4



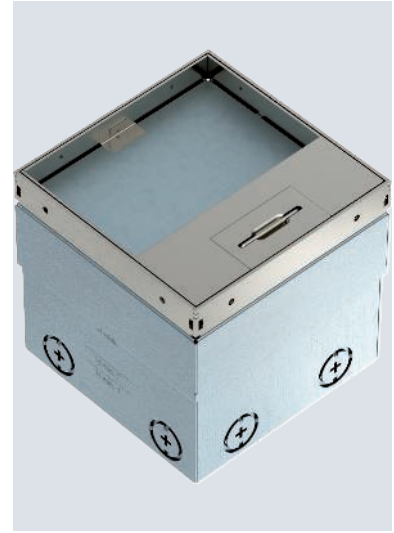
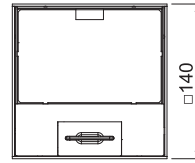
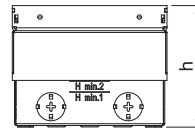
UDHOME9

A2

UDHOME2 floor socket, with floor covering recess, double VDE, stainless steel

Type	Dim. h mm	Floor height mm	Floor covering thickness mm	Pack Piece	Weight kg/100 pc.	Item no.
UDHOME2 GV15V	110	110-135	15	1	230.000	7368324

Square floor socket for use in dry-care cavity and screed floors for indoor use. Installation housing with pre-marked insertion openings for pipes (M20/M25). Cover adjustable to top edge of floor covering using four height-adjustment supports. The minimum installation depth is 110 mm, the height-adjustment range is + 25 mm. Frame and cover made of stainless steel and visible in the floor covering. The scope of delivery contains a double protective contact socket. Up to two modular data sockets can be installed in the optional mounting support.

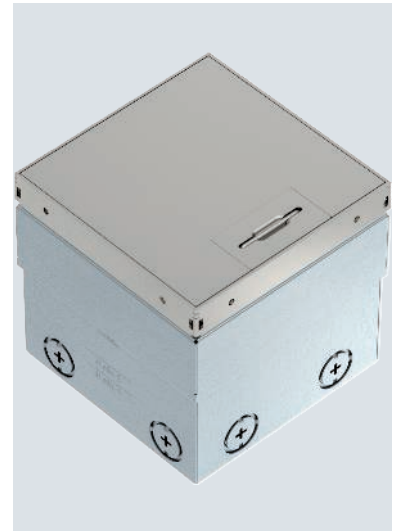
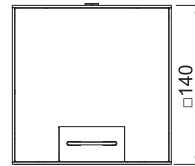
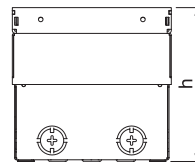


A2

UDHOME2 floor socket, without floor covering recess, double VDE, stainless steel

Type	Dim. h mm	Floor height mm	Pack Piece	Weight kg/100 pc.	Item no.
UDHOME2 GVV	100	100-135	1	220.000	7368326

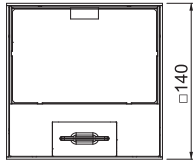
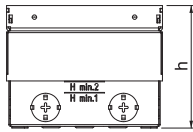
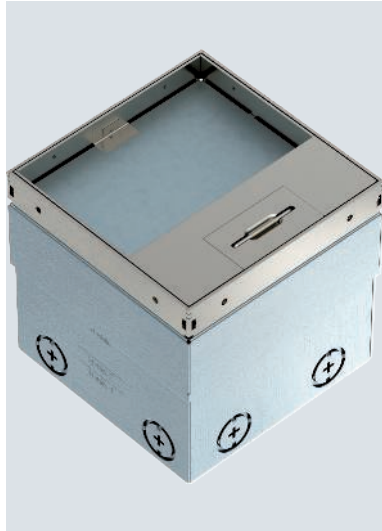
Square floor socket for use in dry-care cavity and screed floors for indoor use. Installation housing with pre-marked insertion openings for pipes (M20/M25). Cover adjustable to top edge of floor covering using four height-adjustment supports. The minimum installation depth is 100 mm, the height-adjustment range is + 35 mm. Frame and cover made of stainless steel and visible in the floor covering. The scope of delivery contains a double protective contact socket. Up to two modular data sockets can be installed in the optional mounting support.



UDHOME2 floor sockets for dry care

A2

UDHOME2 floor socket, with floor covering recess, freely equippable, stainless steel

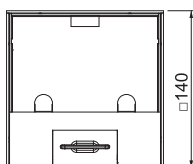
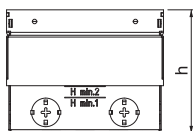
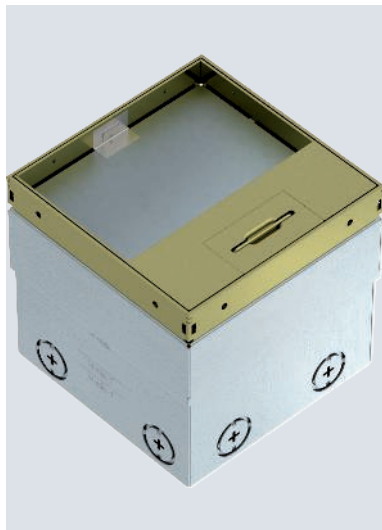


Type	Dim. h mm	Floor height mm	Floor covering thickness mm	Pack Piece	Weight kg/100 pc.	Item no.
UDHOME2 GV15	110	110-135	15	1	230.000	7368340

Square floor socket for use in dry-care cavity and screed floors for indoor use. Installation housing with pre-marked insertion openings for pipes (M20/M25). Cover adjustable to top edge of floor covering using four height-adjustment supports. The minimum installation depth is 110 mm, the height-adjustment range is + 25 mm. Frame and cover made of stainless steel and visible in the floor covering. Up to 2 modular data sockets can be installed in the optional mounting support.

UDHOME2 floor socket, with floor covering recess, freely equippable, brass

CuZn 37



Type	Dim. h mm	Floor height mm	Floor covering thickness mm	Pack Piece	Weight kg/100 pc.	Item no.
UDHOME2 GM15	110	110-135	15	1	230.000	7368346

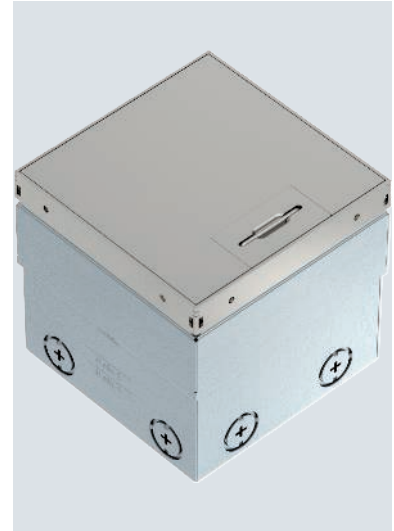
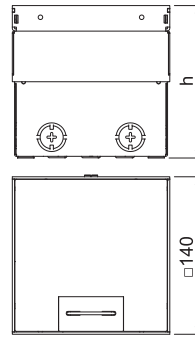
Square floor socket for use in dry-care cavity and screed floors for indoor use. Installation housing with pre-marked insertion openings for pipes (M20/M25). Cover adjustable to top edge of floor covering using four height-adjustment supports. The minimum installation depth is 110 mm, the height-adjustment range is + 25 mm. Frame and cover made of brass and visible in the floor covering. Up to 2 modular data sockets can be installed in the optional mounting support.

A2

UDHOME2 floor socket, without floor covering recess, freely equippable, stainless steel

Type	Dim. h mm	Floor height mm	Pack Piece	Weight kg/100 pc.	Item no.
UDHOME2 GV	100	100-135	1	220.000	7368342

Square floor socket for use in dry-care cavity and screed floors for indoor use. Installation housing with pre-marked insertion openings for pipes (M20/M25). Cover adjustable to top edge of floor covering using four height-adjustment supports. The minimum installation depth is 100 mm, the height-adjustment range is + 35 mm. Frame and cover made of stainless steel and visible in the floor covering. Up to 2 modular data sockets can be installed in the optional mounting support.



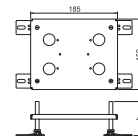
Accessories for UDHOME2 floor sockets for dry cleaning

St

Height extension for UDHOME2 floor socket

Type	Pack Piece	Weight kg/100 pc.	Item no.
HE 60UH2	1	71.600	7368418

Height-adjustable extension for UDHOME2 floor socket. Load capacity up to 8 kN. Additional height-adjustment range: 10–60 mm

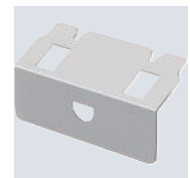


A2

UDHOME2 data technology support type A

Type	Pack Piece	Weight kg/100 pc.	Item no.
DT UH2 A	1	9.300	7368470

Mounting support to accommodate two data connection modules of type A: AMP TYCO: Standard 110Connect, SL Series 110Connect and Toolless, AMP-Twist; Brand-Rex: unshielded; GG45; TKM RJ MOD; Nexans: LANmark with Adapter-Clip; Siemon CAT6; 3M K6 and K10. Dimensions of a mounting opening in mm: 20.10 x 14.80.

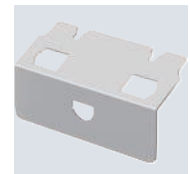


A2

UDHOME2 data technology support type B

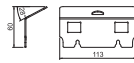
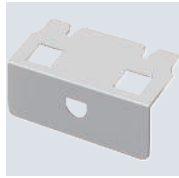
Type	Pack Piece	Weight kg/100 pc.	Item no.
DT UH2 B	1	9.000	7368472

Mounting support to accommodate two data connection modules of type B: E-DAT; Dätwyler: MS and MS-N; Kerpen: VarioKeystone. Dimensions of a mounting opening in mm: 19.35/21.55 x 14.85.



A2

UDHOME2 data technology support type C



Type

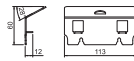
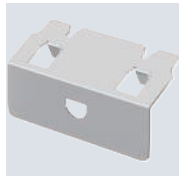
DT UH2 C

Pack	Weight	Item no.
Piece	kg/100 pc.	
1	9.300	7368474

Mounting support to accommodate two data connection modules of type C: Brand-Rex: shielded; EKU: E-Stone; Dätwyler: KS-T, MS-K and KU-T; R&M: Snap-In and Keystone; Rutenbeck: UM and UMflex; SETEC: MKJ, UKJ and XKJ; Siemon TERA; Telegärtner: AMJ and UMJ.
Dimensions of a mounting opening in mm: 19.30 x 14.80.

A2

UDHOME2 data technology support type F



Type

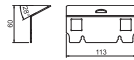
DT UH2 F

Pack	Weight	Item no.
Piece	kg/100 pc.	
1	9.600	7368476

Mounting support to accommodate two data connection modules of type F: Avaya/Systemax: M series.
Dimensions of a mounting opening in mm: 17.40 x 16.60.

A2

UDHOME2 data technology support type LE



Type

DT UH2 LE

Pack	Weight	Item no.
Piece	kg/100 pc.	
1	9.300	7368478

Mounting support to accommodate two data connection modules of type LE: LexCom 125 and 250.
Dimensions of a mounting opening in mm: 18.30 x 17.20.

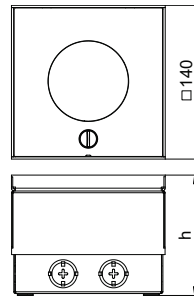
A2

UDHOME2 floor socket, with tube body, double VDE, stainless steel

Type	Dim. h mm	Floor height mm	Pack Piece	Weight kg/100 pc.	Item no.
UDHOME2 VF V	110	110-130	1	323.000	7368410

Square floor socket for use in wet-care cavity and screed floors in indoor areas. Cable exit for height-adjustable tube body. Installation housing with pre-marked insertion openings for pipes (M20/M25). Cover adjustable to top edge of floor covering using four height adjustment supports. The minimum installation depth is 110 mm, the height-adjustment range is + 25 mm.

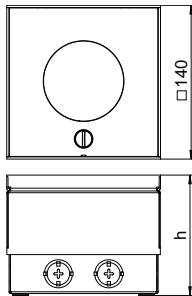
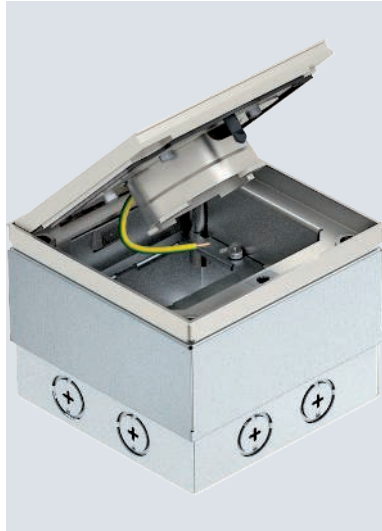
The scope of delivery contains a double protective contact socket. Up to two modular data sockets (Keystones) can be installed with optional mounting supports.



UDHOME2 floor sockets for wet care

A2

UDHOME2 floor socket, with tube body, freely equippable, stainless steel



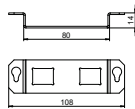
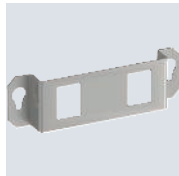
Type	Dim. Floor		Pack	Weight	Item no.
	h	height			
	mm	mm	Piece	kg/100 pc.	
UDHOME2 VF	110	110-130	1	315.000	7427095

Square floor socket for use in wet-care cavity and screed floors for indoor use. Installation housing with pre-marked insertion openings for empty pipelines (M20/M25). Cover adjustable to the top edge of the floor covering using four height-adjustment supports. The minimum installation depth is 110 mm, the height-adjustment range + 20 mm. Up to two Modul 45® sockets can be installed. Up to two modular data sockets (Keystones) can be installed with optional mounting supports.

Accessories for UDHOME2 floor sockets for wet cleaning

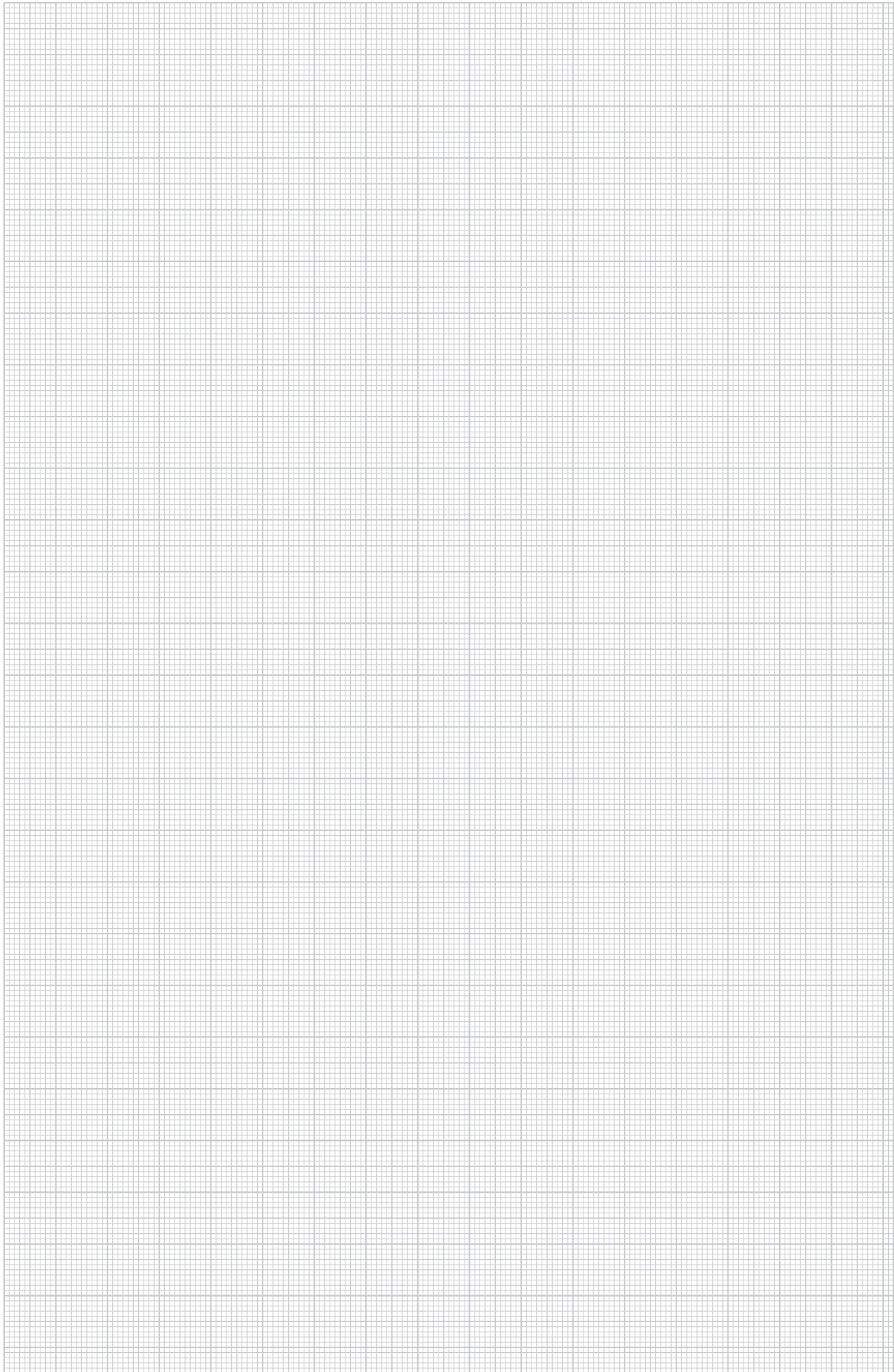
VA

Mounting support, 2 x type C



Type	Pack	Weight	Item no.
MTGE2F 2C	1	0.380	7407843

Mounting support to accept two data connection modules of the following types: Brand-Rex: shielded; EKU: E-Stone; Dätwyler: KS-T, MS-K and KU-T module; R&M: Snap-In and Keystone; Rutenbeck: UM and UMflex; SETEC: MKJ, UKJ and XKJ; Siemon TERA; Telegärtner: AMJ and UMJ. Dimensions of a mounting opening in mm: 19.30 x 14.80. Suitable for GE2F installation unit with tube body.



Floor boxes UDHOME4 and UDHOME9

The UDHOME4 and UDHOME9 floor boxes are the ideal solution for a wide equipment range and dry-cleaned floor coverings. The floor boxes offer a lot of space for the installation of power, data and multimedia connections and are available in discreet stainless steel and in stylish brass.



UDHOME4

The UDHOME4 can be equipped flexibly with power, data and multimedia technology using 4 support ring devices or 6 Modul 45 devices.

The UDHOME has a height-adjustment range of up to 30 mm and can thus be adjusted to the level of the finished floor.

Dimensions

Body: 199 mm x 199 mm
 Screed height: 95–110 mm
 Floor height: 95–125 mm
 Optional height extension



UDHOME9

The UDHOME9 can be equipped flexibly with power, data and multimedia technology using 9 support ring devices or 12 Modul 45 devices, and is available in stainless steel and brass.

Dimensions

Body: 243 mm x 243 mm
 Screed height: 95–110 mm
 Floor height: 95–125 mm
 Optional height extension

VA

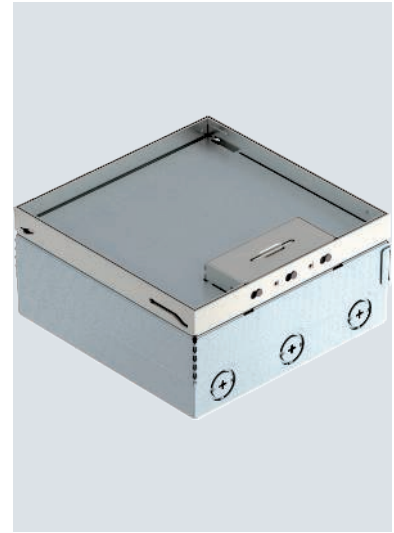
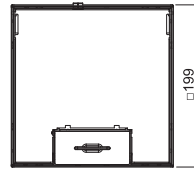
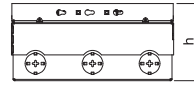
UDHOME4 floor box, with universal support UT3, triple VDE, stainless steel

Type	Dim. h mm	Floor height mm	Floor covering thickness mm	Pack Piece	Weight kg/100 pc.	Item no.
UDHOME4 2V V	95	95-125	15	1	380.000	7427200

Square floor box for use in dry-cleaned cavity and screed floors for indoor use. Installation housing with pre-marked insertion openings for pipelines (M25). Cover adjustable to the top edge of the floor covering using four height-adjustment supports. The minimum installation depth is 95 mm, the height-adjustment range + 30 mm.

Surfaces visible in the floor covering made of stainless steel.

The scope of delivery contains two UT3 universal supports, a triple power socket with cover plate and two individual cover plates for accessories with support ring.



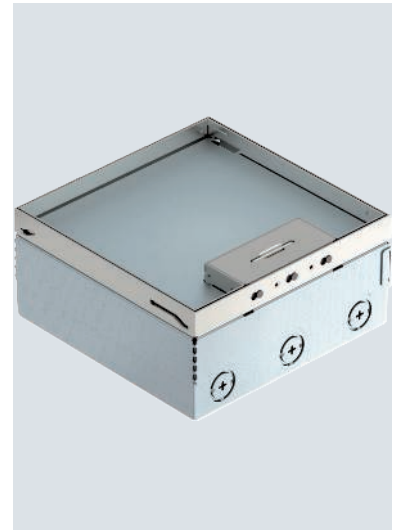
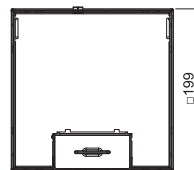
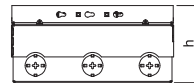
VA

UDHOME4 floor box, freely equipable, stainless steel

Type	Dim. h mm	Floor height mm	Floor covering thickness mm	Pack Piece	Weight kg/100 pc.	Item no.
UDHOME4 2V	95	95-125	15	1	384.000	7427232

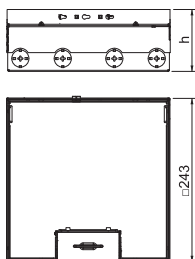
Square floor box for use in dry-cleaned cavity and screed floors in indoor areas. Installation housing with pre-marked insertion openings for pipes (M25). Cover adjustable to top edge of floor covering using four height adjustment supports. The minimum installation depth is 95 mm, the height-adjustment range + 30 mm.

Surfaces visible in the floor covering made of stainless steel.



UDHOME9 floor box, two double VDE, stainless steel

VA



Type	Dim. h mm	Floor height mm	Floor covering thickness mm	Pack Piece	Weight kg/100 pc.	Item no.
UDHOME9 2V UT V	95	95-125	15	1	520.500	7427300

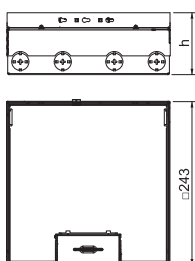
Square floor box for use in dry-cleaned cavity and screed floors for indoor use. Installation housing with pre-marked insertion openings for pipelines (M25). Cover adjustable to the top edge of the floor covering using four height-adjustment supports. The minimum installation depth is 95 mm, the height-adjustment range + 30 mm.

Surfaces visible in the floor covering made of stainless steel.

The scope of supply contains three universal supports UT4 for installation of Modul 45 devices. One universal support is equipped with two double protective contact sockets in pure white. A further universal support is equipped with two cover plates for standard device installation and the third universal support is equipped with two blanking covers.

UDHOME9 floor box, freely equippable, stainless steel

VA



Type	Dim. h mm	Floor height mm	Floor covering thickness mm	Pack Piece	Weight kg/100 pc.	Item no.
UDHOME9 2V	95	95-125	15	1	470.000	7427324

Square floor box for use in dry-cleaned cavity and screed floors for indoor use. Installation housing with pre-marked insertion openings for pipelines (M25). Cover adjustable to the top edge of the floor covering using four height-adjustment supports. The minimum installation depth is 95 mm, the height-adjustment range + 30 mm.

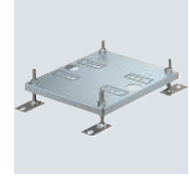
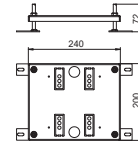
Surfaces visible in the floor covering made of stainless steel.

St FS

Height extension for UDHOME4 floor box

Type	Height adjustment range mm	Pack Piece	Weight kg/100 pc.	Item no.
HE60 UDHOME4	10-60	1	109.800	7427440

Height-adjustable expansion for UDHOME4 floor box.

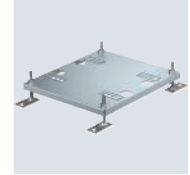
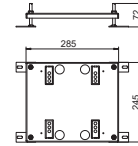


St FS

Height extension for UDHOME9 floor box

Type	Height adjustment range mm	Pack Piece	Weight kg/100 pc.	Item no.
HE60 UDHOME9	10-60	1	145.700	7427444

Height-adjustable expansion for UDHOME9 floor box.



UDHOME floor boxes, brass

CuZn 37

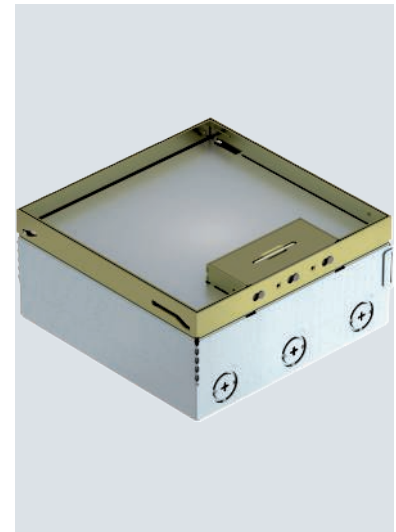
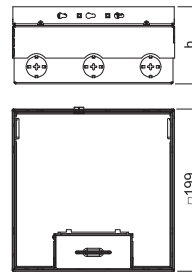
UDHOME4 floor box, with universal support UT3, triple VDE, brass

Type	Dim. h mm	Floor height mm	Floor covering thickness mm	Pack Piece	Weight kg/100 pc.	Item no.
UDHOME4 2M V	95	95-125	15	1	388.000	7427204

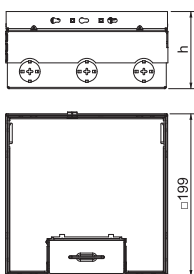
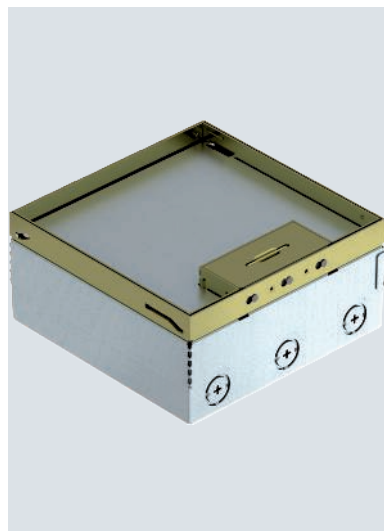
Square floor box for use in dry-cleaned cavity and screed floors for indoor use. Installation housing with pre-marked insertion openings for pipelines (M25). Cover adjustable to the top edge of the floor covering using four height-adjustment supports. The minimum installation depth is 95 mm, the height-adjustment range + 30 mm.

Surfaces visible in the floor covering made of brass.

The scope of delivery contains two UT3 universal supports, a triple power socket with cover plate and two individual cover plates for accessories with support ring.



UDHOME4 floor box, freely equippable, brass

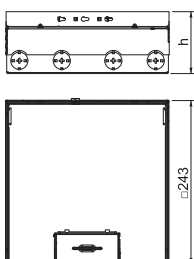
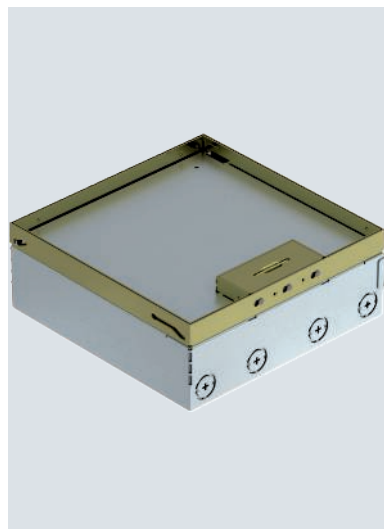


Type	Dim. h mm	Floor height mm	Floor covering thickness mm	Pack Piece	Weight kg/100 pc.	Item no.
UDHOME4 2M	95	95-125	15	1	344.800	7427236

Square floor box for use in dry-cleaned cavity and screed floors for indoor use. Installation housing with pre-marked insertion openings for pipelines (M25). Cover adjustable to the top edge of the floor covering using four height-adjustment supports. The minimum installation depth is 95 mm, the height-adjustment range + 30 mm.

Surfaces visible in the floor covering made of brass.

UDHOME9 floor box, two double VDE, brass



Type	Dim. h mm	Floor height mm	Floor covering thickness mm	Pack Piece	Weight kg/100 pc.	Item no.
UDHOME9 2M UT V	95	95-125	15	1	573.000	7427304

Square floor box for use in dry-cleaned cavity and screed floors for indoor use. Installation housing with pre-marked insertion openings for pipelines (M25). Cover adjustable to the top edge of the floor covering using four height-adjustment supports. The minimum installation depth is 95 mm, the height-adjustment range + 30 mm.

Surfaces visible in the floor covering made of brass.

The scope of supply contains three universal supports UT4 for installation of Modul 45 devices. One universal support is equipped with two double protective contact sockets in pure white. A further universal support is equipped with two cover plates for standard device installation and the third universal support is equipped with two blanking covers.

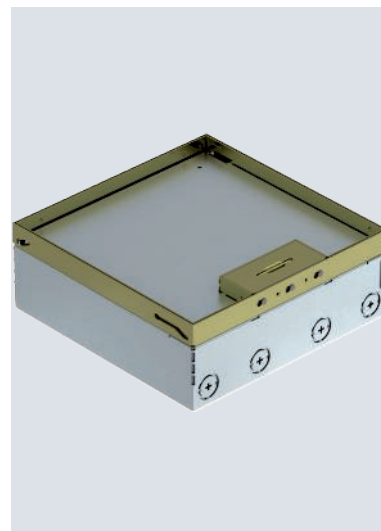
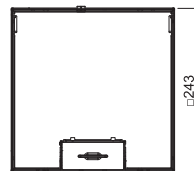
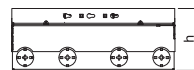
CuZn
37

UDHOME9 floor box, freely equippable, brass

Type	Dim. h mm	Floor height mm	Floor covering thickness mm	Pack Piece	Weight kg/100 pc.	Item no.
UDHOME9 2M	95	95-125	15	1	482.000	7427328

Square floor box for use in dry-cleaned cavity and screed floors for indoor use. Installation housing with pre-marked insertion openings for pipelines (M25). Cover adjustable to the top edge of the floor covering using four height-adjustment supports. The minimum installation depth is 95 mm, the height-adjustment range + 30 mm.

Surfaces visible in the floor covering made of brass.



MODULAR

GES R2 floor sockets



IP
66



- Available with hinged cover, tube body or blanking lid with high-quality coating in old copper, antique brass, nickel-oxidized or graphite black.
- Modular design for different application conditions.
- Installation room for 2 sockets and 2 data modules.
- IP66-certified when closed.

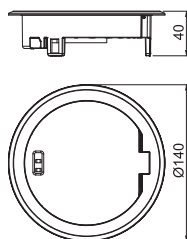


Zn N

Service outlet with hinged cover and locking slider, GES R2, nickel

Type	Pack Piece	Weight kg/100 pc.	Item no.
GES R2 Ni	1	58.500	7408850

Service outlet with hinged cover and locking slider for GES R2 floor socket for direct installation in the MT R2 installation socket.
When closed, the floor socket can be wet-cleaned.

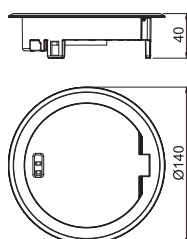


Zn CuZn 37

Service outlet with hinged cover and locking slider, GES R2, old brass

Type	Pack Piece	Weight kg/100 pc.	Item no.
GES R2 CuZn	1	58.500	7408852

Service outlet with hinged cover and locking slider for GES R2 floor socket for direct installation in the MT R2 installation socket.
When closed, the floor socket can be wet-cleaned.

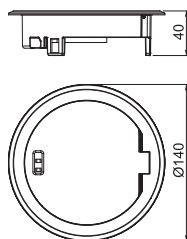


Zn Cu

Service outlet with hinged cover and locking slider, GES R2, old copper

Type	Pack Piece	Weight kg/100 pc.	Item no.
GES R2 Cu	1	58.500	7408854

Service outlet with hinged cover and locking slider for GES R2 floor socket for direct installation in the MT R2 installation socket.
When closed, the floor socket can be wet-cleaned.

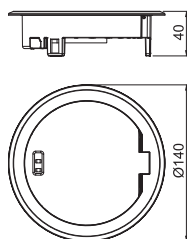


Zn

Service outlet with hinged cover and locking slider, GES R2, chrome

Type	Pack Piece	Weight kg/100 pc.	Item no.
GES R2 Cr	1	58.500	7408856

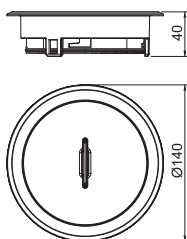
Service outlet with hinged cover and locking slider for GES R2 floor socket for direct installation in the MT R2 installation socket.
When closed, the floor socket can be wet-cleaned.



GES R2 floor socket with handle clamp

Service outlet with tube body with handle clamp, GES R2, nickel

Zn N

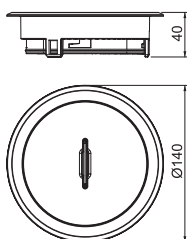


Type	Pack Piece	Weight kg/100 pc.	Item no.
GES R2T Ni	1	114.100	7408860

Service outlet with tube body and handle clamp for GES R2 floor socket for direct installation in the MT R2 installation socket for indoor use. The tube body fulfils the requirements of EN 50085-2-2 for wet-cleaned floors, also when in use.

Service outlet with tube body with handle clamp, GES R2, old brass

Zn CuZn 37

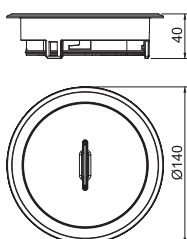


Type	Pack Piece	Weight kg/100 pc.	Item no.
GES R2T CuZn	1	114.100	7408862

Service outlet with tube body and handle clamp for GES R2 floor socket for direct installation in the MT R2 installation socket for indoor use. The tube body fulfils the requirements of EN 50085-2-2 for wet-cleaned floors, also when in use.

Service outlet with tube body with handle clamp, GES R2, old copper

Zn Cu



Type	Pack Piece	Weight kg/100 pc.	Item no.
GES R2T Cu	1	114.100	7408864

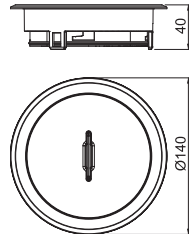
Service outlet with tube body and handle clamp for GES R2 floor socket for direct installation in the MT R2 installation socket for indoor use. The tube body fulfils the requirements of EN 50085-2-2 for wet-cleaned floors, also when in use.

Zn

Service outlet with tube body with handle clamp, GES R2, chrome

Type	Pack Piece	Weight kg/100 pc.	Item no.
GES R2T Cr	1	114.100	7408866

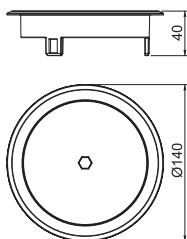
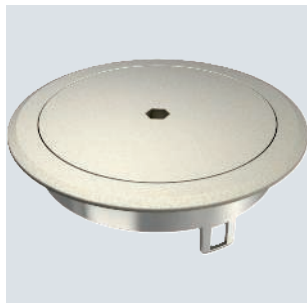
Service outlet with tube body and handle clamp for GES R2 floor socket for direct installation in the MT R2 installation socket for indoor use.
The tube body fulfils the requirements of EN 50085-2-2 for wet-cleaned floors, also when in use.



GES R2 floor socket with Allen slot

Service outlet with blanking lid and Allen slot, GES R2, nickel

Zn N

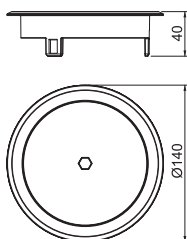


Type	Pack Piece	Weight kg/100 pc.	Item no.
GES R2B Ni	1	58.200	7408870

Service outlet with blanking cover and Allen slot for GES R2 floor socket for direct installation in the MT R2 installation socket in indoor areas. The cover version can be used as a cable outlet. When closed, the floor socket can be wet-cleaned.

Service outlet with blanking lid and Allen slot, GES R2, old brass

Zn CuZn 37

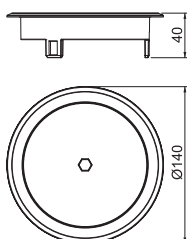


Type	Pack Piece	Weight kg/100 pc.	Item no.
GES R2B CuZn	1	58.200	7408872

Service outlet with blanking cover and Allen slot for GES R2 floor socket for direct installation in the MT R2 installation socket in indoor areas. The cover version can be used as a cable outlet. When closed, the floor socket can be wet-cleaned.

Service outlet with blanking lid and Allen slot, GES R2, old copper

Zn Cu



Type	Pack Piece	Weight kg/100 pc.	Item no.
GES R2B Cu	1	58.200	7408874

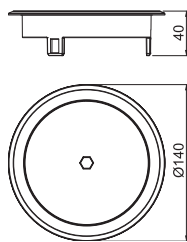
Service outlet with blanking cover and Allen slot for GES R2 floor socket for direct installation in the MT R2 installation socket in indoor areas. The cover version can be used as a cable outlet. When closed, the floor socket can be wet-cleaned.

Zn

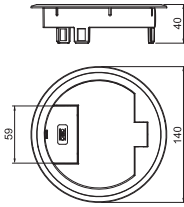
Service outlet with blanking lid and Allen slot, GES R2, chrome

Type	Pack Piece	Weight kg/100 pc.	Item no.
GES R2B Cr	1	58.200	7408876

Service outlet with blanking cover and Allen slot for GES R2 floor socket for direct installation in the MT R2 installation socket in indoor areas.
 The cover version can be used as a cable outlet.
 When closed, the floor socket can be wet-cleaned.



Service outlet with hinged cover and cord outlet, GES R2



Type	Colour	Pack	Weight	Item no.
		Piece	kg/100 pc.	
GES R2 9011	Graphite black	1	8.800	7405084
GES R2 7011	Iron grey	1	8.800	7405082

Service outlet with hinged cover and cord outlet for GES R2 floor socket for direct installation in the MT R2 installation socket.
For use in dry-cleaned floors for indoor use.

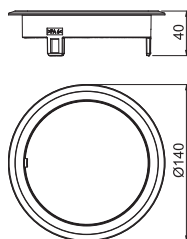


PA

Service outlet with blanking lid and opening contour, GES R2

Type	Colour	Pack Piece	Weight kg/100 pc.	Item no.
GES R2B 7011	Iron grey	1	8.150	7405086

Service outlet with blanking lid and cord outlet for GES R2 floor socket for direct installation in the MT R2 installation socket.
For use in dry-cleaned floors for indoor use.

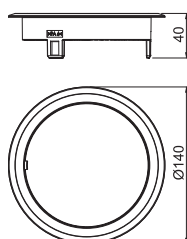


PA

Service outlet with blanking lid and opening contour, GES R2

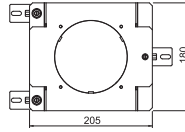
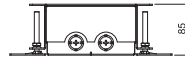
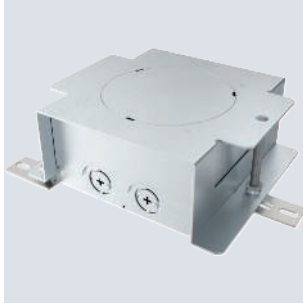
Type	Colour	Pack Piece	Weight kg/100 pc.	Item no.
GES R2B 9011	Graphite black	1	8.150	7405088

Service outlet with blanking lid and cord outlet for GES R2 floor socket for direct installation in the MT R2 installation socket.
For use in dry-cleaned floors for indoor use.



Screed box for GES R2

St FS



Type	Screed height	Installation diameter	Pack Piece	Weight kg/100 pc.	Item no.
	mm				
UD GES R2	85-130	122	1	218.000	7428526

Height-adjustable screed box for the installation of the installation socket of the GES R2 floor socket.
With 2x2 insertion openings for installation pipes (M20/M25).

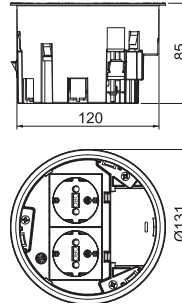
PA

Installation socket, double, VDE

Type	Installation depth mm	Installation diameter	Pack Piece	Weight kg/100 pc.	Item no.
MT R2 VDE	85	122	1	26.800	7408832

Installation socket for GES R2 floor socket for mounting in UD GES R2 screed socket and in raised floor plates with an installation opening diameter of 122 mm.

The scope of delivery contains a double protective contact socket (VDE). Up to two modular data sockets (Keystones) can be installed with optional mounting plate.



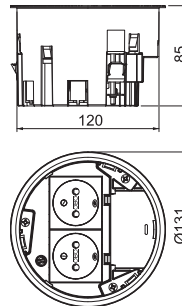
PA

Installation socket, double, NF

Type	Installation depth mm	Installation diameter	Pack Piece	Weight kg/100 pc.	Item no.
MT R2 NF	85	122	1	21.000	7408834

Installation socket for GES R2 floor socket for mounting in UD GES R2 screed socket and in raised floor plates with an installation opening diameter of 122 mm.

The scope of delivery contains a double socket (NF). Up to two modular data sockets (Keystones) can be installed with optional mounting plate.



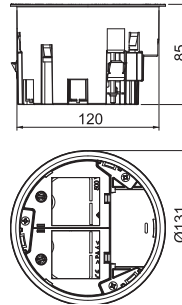
PA

Installation socket, 1+1 empty

Type	Installation depth mm	Installation diameter	Pack Piece	Weight kg/100 pc.	Item no.
MT R2 1-1	85	122	1	19.800	7408838

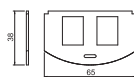
Installation socket for GES R2 floor socket for mounting in UD GES R2 screed socket and in raised floor plates with an installation opening diameter of 122 mm.

The scope of supply contains a partition and two cover plates for the installation of individual Modul 45 devices. Up to two modular data sockets (Keystones) can be installed with optional mounting plate.



Mounting plate for data technology, type A

VA

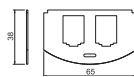


Type	Pack Piece	Weight kg/100 pc.	Item no.
MP R2 2A	1	1.960	7408802

Mounting plate to accept two data connection modules of the following types: AMP TYCO: Standard 110Connect, SL Series 110Connect and Toolless, AMP-Twist; Brand-Rex: unshielded; GG45; TKM RJ MOD; Nexans: LAN-mark with Adapter-Clip; Siemon CAT6; 3M K6 and K10.
Dimensions of a mounting opening in mm: 20.10 x 14.80.

Mounting plate for data technology, type B

VA

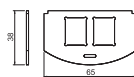


Type	Pack Piece	Weight kg/100 pc.	Item no.
MP R2 2B	1	1.940	7408804

Mounting plate to accept two connection modules for data connection modules of the following types BTR: E-DAT; Dätwyler: MS and MS-N; Kerpen: VarioKeystone.
Dimensions of a mounting opening in mm: 19.35/21.55 x 14.85.

Mounting plate for data technology, type C

VA

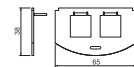


Type	Pack Piece	Weight kg/100 pc.	Item no.
MP R2 2C	1	1.950	7408806

Mounting plate to accept two data connection modules of the following types: Brand-Rex: shielded; EKU: E-Stone; Dätwyler: KS-T, MS-K and KU-T module; R&M: Snap-In and Keystone; Rutenbeck: UM and UMflex; SETEC: MKJ, UKJ and XKJ; Siemon TERA; Telegärtner: AMJ and UMJ.
Dimensions of a mounting opening in mm: 19.30 x 14.80.

Mounting plate for data technology, type F

VA

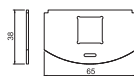


Type	Pack Piece	Weight kg/100 pc.	Item no.
MP R2 2F	1	2.190	7408808

Mounting plate to accept two data connection modules, type Avaya/Systemax: M series.
Dimensions of a mounting opening in mm: 17.40 x 16.60.

Mounting plate for data technology, type LE

VA



Type	Pack Piece	Weight kg/100 pc.	Item no.
MP R2 LE	1	2.250	7408810




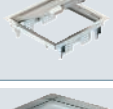


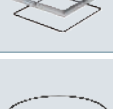


Mounting support to accept two data connection modules of the following types: LexCom 125 and 250.
Dimensions of a mounting opening in mm: 18.30 x 17.20.



Service outlets and cassettes for underfloor applications

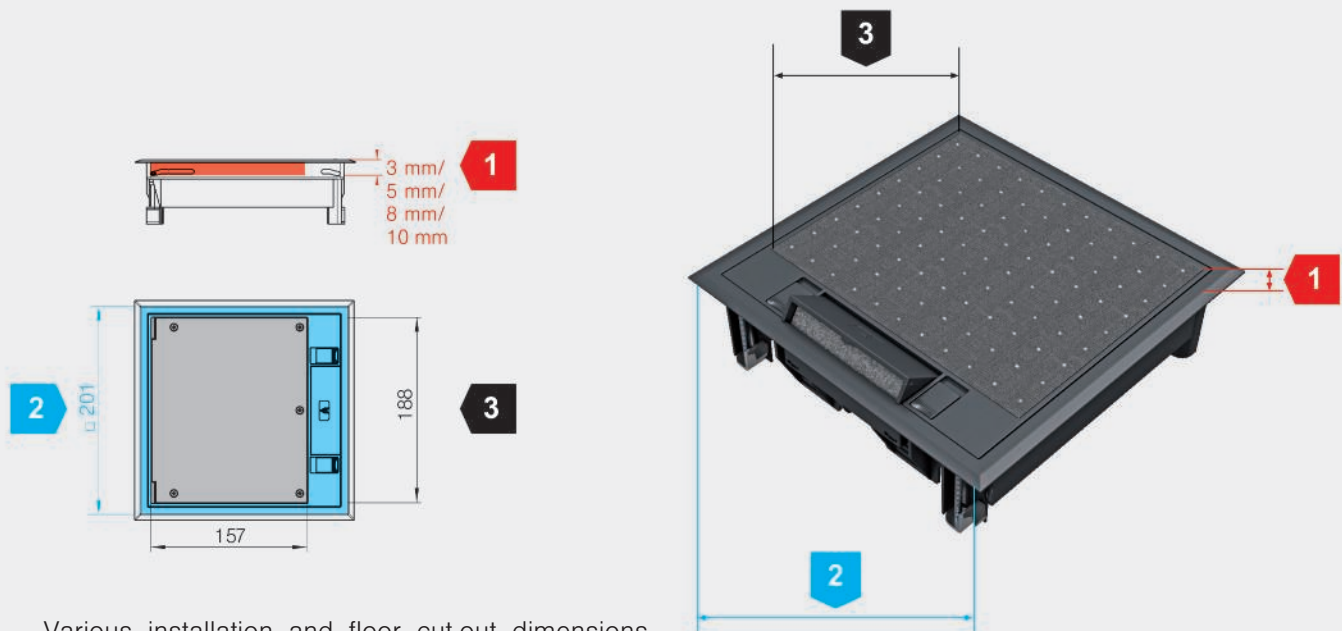


Service outlets and cassettes for underfloor applications

	Plastic service units, rectangular	40
	Plastic service units, round	62
	Accessories, plastic service units	80
	Metal service units, cassettes	82
	Height-adjustable cassettes	86
	Decouplable cassettes	108
	Heavy-duty cassettes	128
	General cassette accessories	148
	Lined body solution for polished screeds	152



Installation and floor cut-out dimensions



Various installation and floor cut-out dimensions must be taken into account for the mounting of service outlets and the application of floor coverings in the device lids.

1

Frame height for the floor covering in the lid (red dimensions)

The frame height data relates to the maximum floor covering thickness, including adhesive. If, in the figure, several heights are specified, then the frame height can be changed during construction: By adding or removing spaces, it is possible to adjust the desired frame height to the floor covering. In the as-delivered state, the frame height is usually 5 mm.

3

Internal dimension of the lid to determine the floor covering cut-out (black dimensions)

The dimension data relates to the internal dimension of the cover and is used to calculate the floor covering cut-out. Depending on the type of floor covering, appropriate reductions should be taken into account, e.g. for expansion gaps.

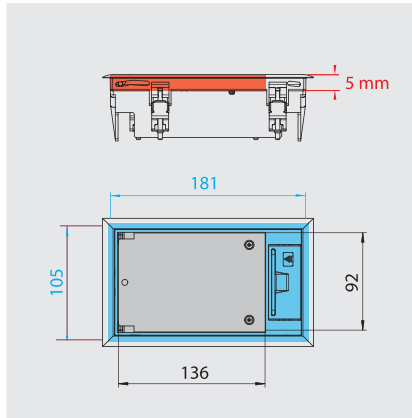
2

Floor cut-out for the installation of service outlets (blue dimensions)

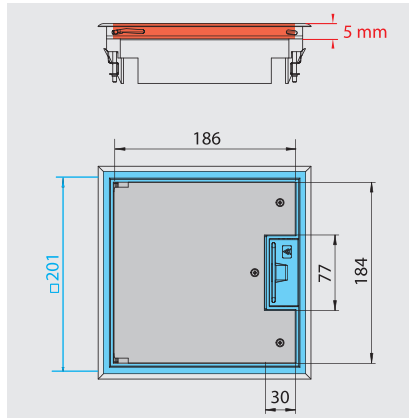
The dimensions for the floor cut-out should be considered as target dimensions for correct installation of the service outlet in the floor. They are only generally required for the floor cut-out in system floors. When mounting service outlets in the EÜK screed-covered duct system or in the OKA open trunking system, they need not be taken into account, as these systems offer prefabricated mounting lids with matching installation openings.



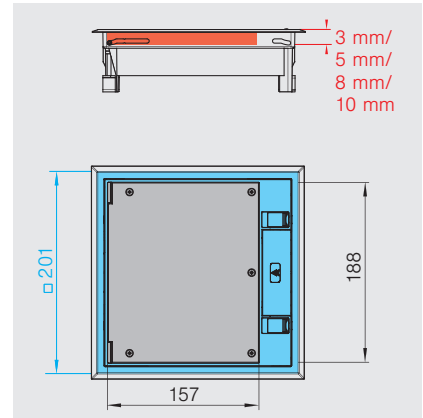
System measurements service outlets, rectangular



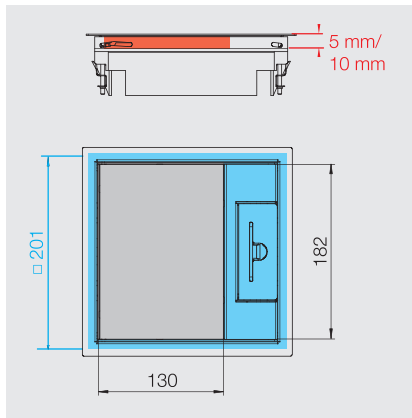
Nominal size 2, type GES2



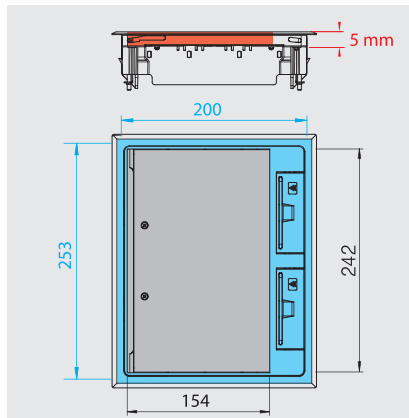
Nominal size 4, type GES4



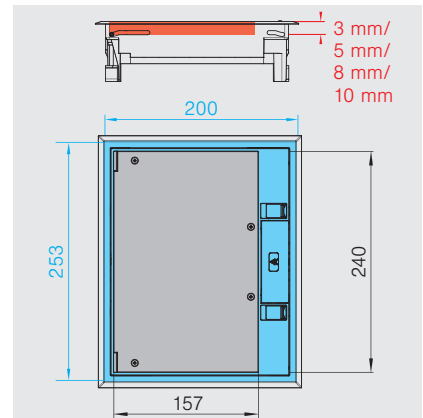
Nominal size 4, type GES4-2



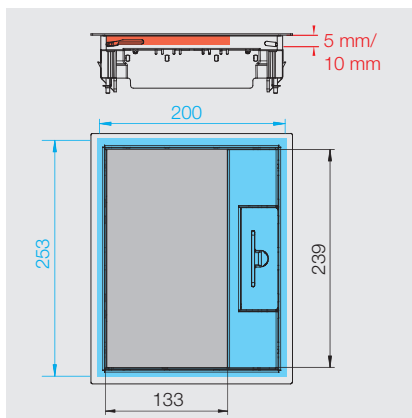
Nominal size 4, type GES4M-2



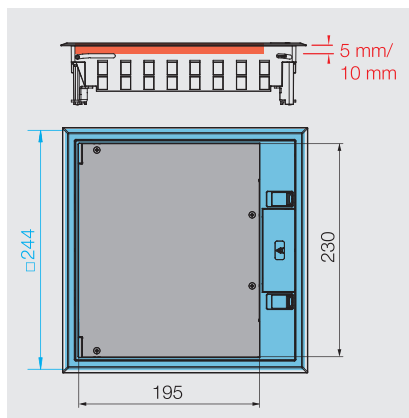
Nominal size 6, type GES6



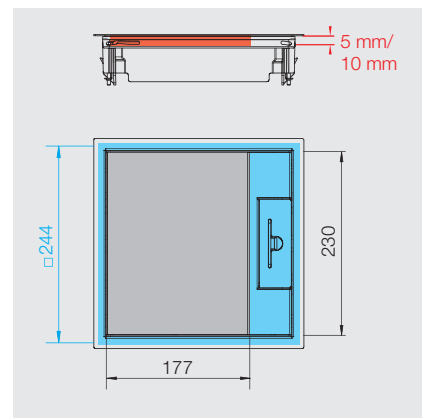
Nominal size 6, type GES6-2



Nominal size 6, type GES6M-2



Nominal size 9, type GES9-3S and GES9-3B



Nominal size 9, type GES9M-2

GES service outlet, rectangular

Service outlets supply workstations and other areas in the centre of the room with power and data connections via the floor. Service outlets are suitable for installation in screed-flush and screed-covered underfloor systems.

- Universal service outlet for all systems
- Suitable for dry-cleaned floors
- Available in plastic and stainless steel



- Lid available with locking slider or handle clamp
- Adjustable for different covering thicknesses

Square and round service outlets

Installation principle

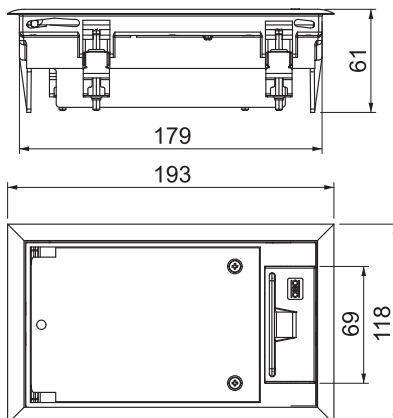
- 1 Service outlet, rectangular
- 2 Service outlet, round
- 3 Universal support
- 4 Cover plates
- 5 Mounting support



GES2 service outlet with handle clamp



Type	Colour	Floor covering thickness mm	Pack Piece	Weight kg/100 pc.	Item no.
GES2 U 7011	Iron grey	5	1	61.300	7405116



Service outlet with handle clamp for up to 3 individual Modul 45 devices in one UT3 universal support, use in duct systems and system floors for indoor use.

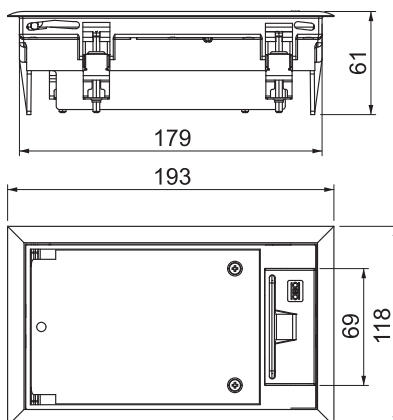
Service outlet with handle clamp, 1-compartment, for the installation of MT2 mounting support.

Up to two installation devices with 50 mm central plate can be inserted.

GES2 service outlet with handle clamp



Type	Colour	Floor covering thickness mm	Pack Piece	Weight kg/100 pc.	Item no.
GES2 U 9011	Graphite black	5	1	61.300	7405120



Service outlet with handle clamp for up to 3 individual Modul 45 devices in one UT3 universal support, use in duct systems and system floors for indoor use.

Service outlet with handle clamp, 1-compartment, for the installation of MT2 mounting support.

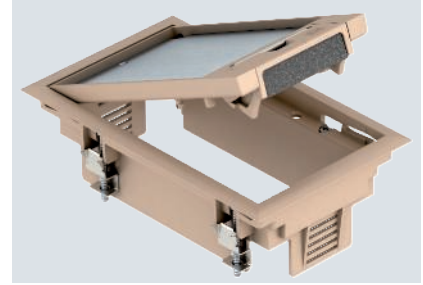
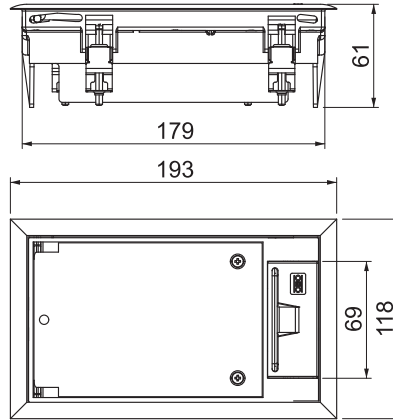
Up to two installation devices with 50 mm central plate can be inserted.



PA

GES2 service outlet with handle clamp

Type	Colour	Floor covering thickness mm	Pack Piece	Weight kg/100 pc.	Item no.
GES2 U 1019	Grey-beige	5	1	61.300	7405124



Service outlet with handle clamp for up to 3 individual Modul 45 devices in one UT3 universal support, use in duct systems and system floors for indoor use.

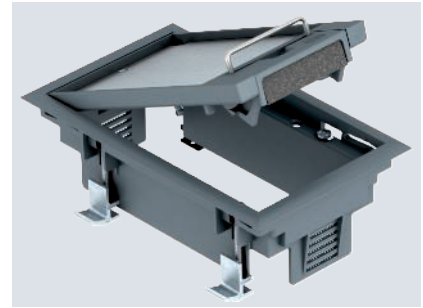
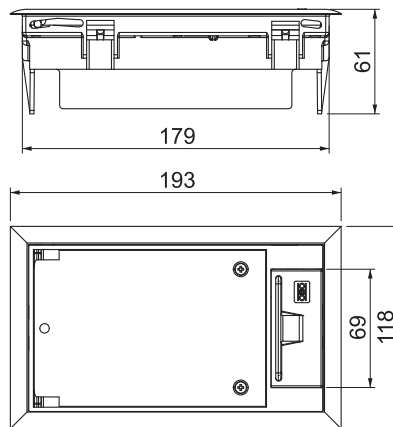
Service outlet with handle clamp, 1-compartment, for the installation of MT2 mounting support.

Up to two installation devices with 50 mm central plate can be inserted.

PA

GES2DB service outlet with handle clamp

Type	Colour	Floor covering thickness mm	Pack Piece	Weight kg/100 pc.	Item no.
GES2 DB 7011	Iron grey	5	1	66.400	7405100



Service outlet with handle clamp for up to 3 individual Modul 45 devices in one UT3 universal support, use in duct systems and system floors for indoor use.

Service outlet with handle clamp, 1-compartment, for the installation of MT2 mounting support.

Up to two installation devices with 50 mm central plate can be inserted.



GES2DB service outlet with handle clamp

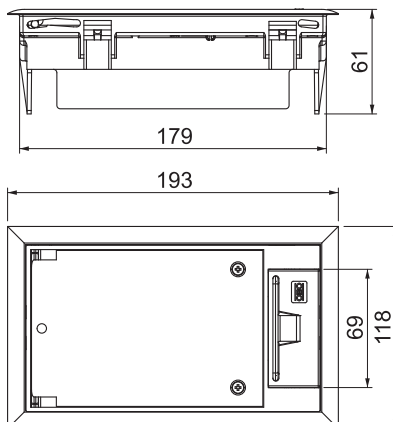


Service outlet with handle clamp for up to 3 individual Modul 45 devices in one UT3 universal support, use in duct systems and system floors for indoor use.

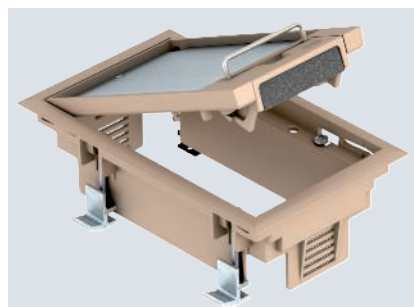
Service outlet with handle clamp, 1-compartment, for the installation of MT2 mounting support.

Up to two installation devices with 50 mm central plate can be inserted.

Type	Colour	Floor covering thickness mm	Pack Piece	Weight kg/100 pc.	Item no.
GES2 DB 9011	Graphite black	5	1	66.400	7405104



GES2DB service outlet with handle clamp

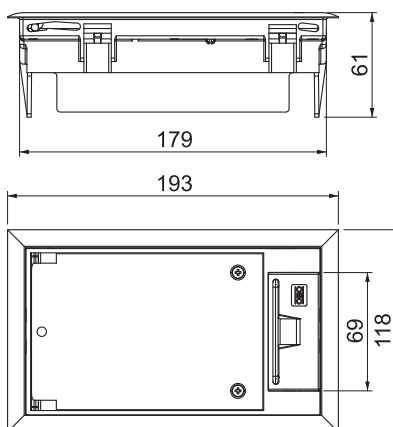


Service outlet with handle clamp for up to 3 individual Modul 45 devices in one UT3 universal support, use in duct systems and system floors for indoor use.

Service outlet with handle clamp, 1-compartment, for the installation of MT2 mounting support.

Up to two installation devices with 50 mm central plate can be inserted.

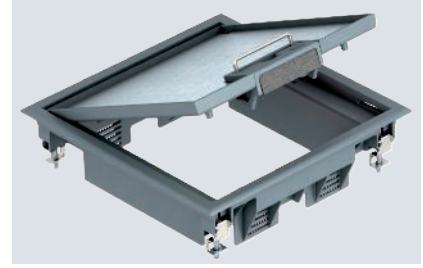
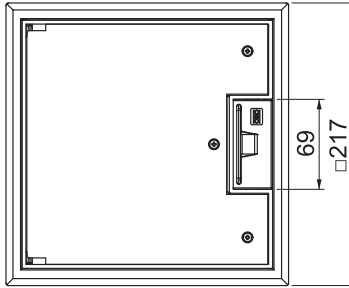
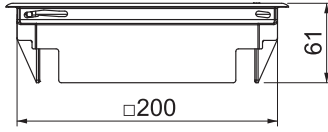
Type	Colour	Floor covering thickness mm	Pack Piece	Weight kg/100 pc.	Item no.
GES2 DB 1019	Grey-beige	5	1	66.400	7405108



PA

GES4 service outlet with handle clamp

Type	Colour	Floor covering thickness mm	Pack	Weight	Item no.
			Piece	kg/100 pc.	
GES4 U 7011	Iron grey	5	1	139.500	7405196



Service outlet with handle clamp for up to 6 individual Modul 45 devices in 2 UT3 universal supports, use in duct systems and system floors for indoor use.

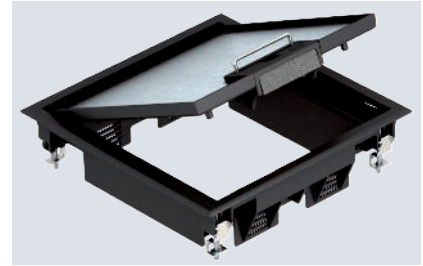
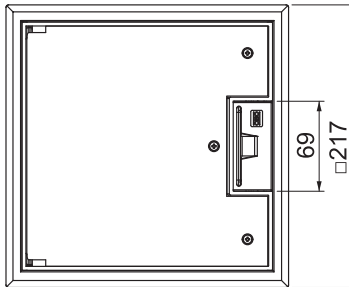
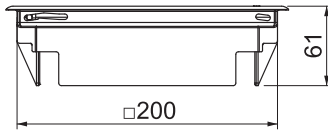
Service outlet with handle clamp, 2-compartment, for the installation of MT4 mounting support. Two type APMT2 cover plates can be installed.

Up to 4 installation devices with 50 mm central plate can be inserted.

PA

GES4 service outlet with handle clamp

Type	Colour	Floor covering thickness mm	Pack	Weight	Item no.
			Piece	kg/100 pc.	
GES4 U 9011	Graphite black	5	1	139.500	7405200



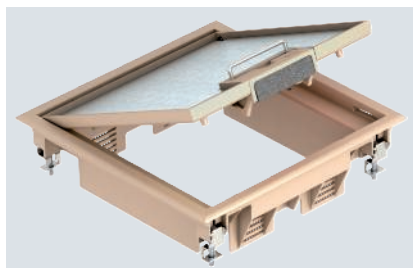
Service outlet with handle clamp for up to 6 individual Modul 45 devices in 2 UT3 universal supports, use in duct systems and system floors for indoor use.

Service outlet with handle clamp, 2-compartment, for the installation of MT4 mounting support. Two type APMT2 cover plates can be installed.

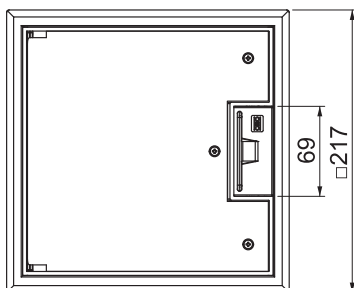
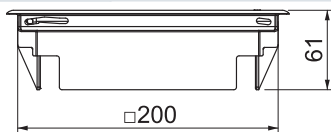
Up to 4 installation devices with 50 mm central plate can be inserted.



GES4 service outlet with handle clamp



Type	Colour	Floor covering thickness mm	Pack Piece	Weight kg/100 pc.	Item no.
GES4 U 1019	Grey-beige	5	1	139.500	7405204

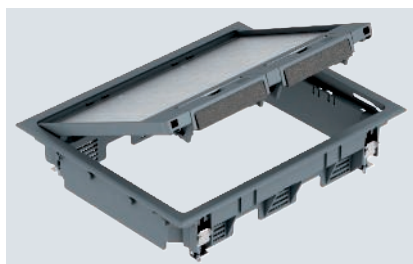


Service outlet with handle clamp for up to 6 individual Modul 45 devices in 2 UT3 universal supports, use in duct systems and system floors for indoor use.

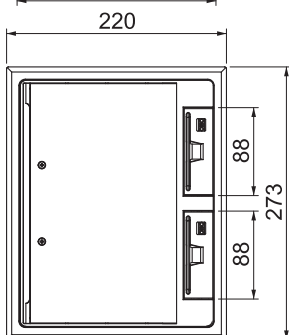
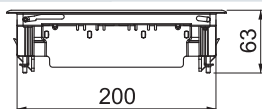
Service outlet with handle clamp, 2-compartment, for the installation of MT4 mounting support. Two type APMT2 cover plates can be installed.

Up to 4 installation devices with 50 mm central plate can be inserted.

GES6 service outlet with handle clamp



Type	Colour	Floor covering thickness mm	Pack Piece	Weight kg/100 pc.	Item no.
GES6 U 7011	Iron grey	5	1	157.500	7405308



Service outlet with handle clamp for up to 9 individual Modul 45 devices in three UT3 universal supports, use in trunking systems and system floors for indoor use.

Service outlet with handle clamp, 3-compartment, for the installation of MT6 mounting support. Three type APMT2 cover plates can be installed.

Separate fastening brackets must be ordered for raised floor mounting.

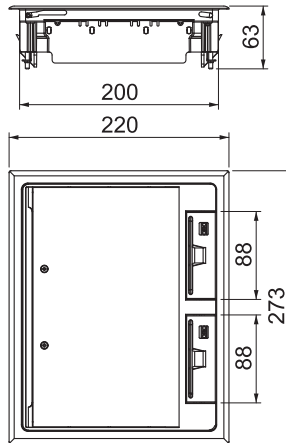
Up to 6 installation devices with 50 mm central plate can be inserted.



PA

GES6 service outlet with handle clamp

Type	Colour	Floor covering thickness mm	Pack Piece	Weight kg/100 pc.	Item no.
GES6 U 9011	Graphite black	5	1	150.000	7405312



Service outlet with handle clamp for up to 9 individual Modul 45 devices in three UT3 universal supports, use in trunking systems and system floors for indoor use.

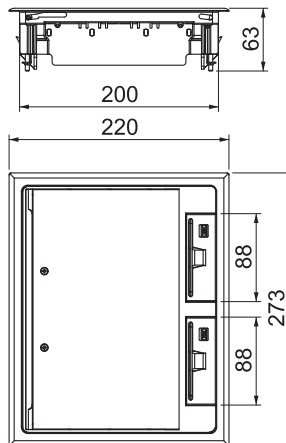
Service outlet with handle clamp, 3-compartment, for the installation of MT6 mounting support. Three type APMT2 cover plates can be installed.

Separate fastening brackets must be ordered for raised floor mounting. Up to 6 installation devices with 50 mm central plate can be inserted.

PA

GES6 service outlet with handle clamp

Type	Colour	Floor covering thickness mm	Pack Piece	Weight kg/100 pc.	Item no.
GES6 U 1019	Gray-beige	5	1	150.000	7405316



Service outlet with handle clamp for up to 9 individual Modul 45 devices in three UT3 universal supports, use in trunking systems and system floors for indoor use.

Service outlet with handle clamp, 3-compartment, for the installation of MT6 mounting support. Three type APMT2 cover plates can be installed.

Separate fastening brackets must be ordered for raised floor mounting. Up to 6 installation devices with 50 mm central plate can be inserted.



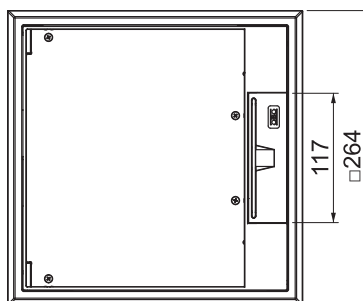
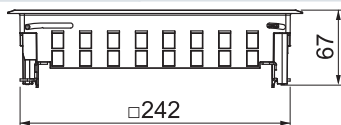
Service units for dry-cleaned floors, with handle clamp

PA

GES9-3B service outlet with handle clamp



Type	Colour	Floor covering thickness mm	Pack Piece	Weight kg/100 pc.	Item no.
GES9-3B U 7011	Iron grey	10	1	205.000	7405077



Service outlet with handle clamp for up to 12 individual Modul 45 devices in 3 UT4 universal supports, use in duct systems and system floors for indoor use.

Floor covering recess in the hinged cover pre-adjusted to 5 mm, if necessary adjustable to 10 mm.

Service outlet with handle clamp, 3-compartment, for the installation of MT9 mounting support. Three type APMT5 cover plates can be installed. Floor covering recess in the hinged cover pre-adjusted to 5 mm, if necessary adjustable to 10 mm.

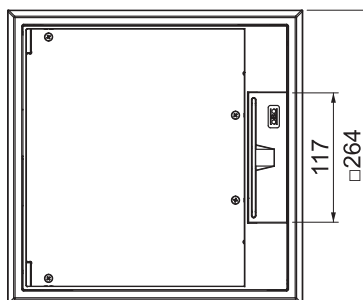
Up to 9 installation devices with 50 mm central plate can be inserted.

GES9-3B service outlet with handle clamp

PA



Type	Colour	Floor covering thickness mm	Pack Piece	Weight kg/100 pc.	Item no.
GES9-3B U 9011	Graphite black	10	1	205.000	7405079



Service outlet with handle clamp for up to 12 individual Modul 45 devices in 3 UT4 universal supports, use in duct systems and system floors for indoor use.

Floor covering recess in the hinged cover pre-adjusted to 5 mm, if necessary adjustable to 10 mm.

Service outlet with handle clamp, 3-compartment, for the installation of MT9 mounting support. Three type APMT5 cover plates can be installed. Floor covering recess in the hinged cover pre-adjusted to 5 mm, if necessary adjustable to 10 mm.

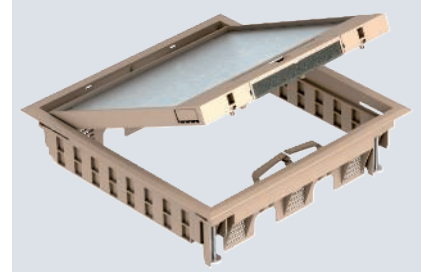
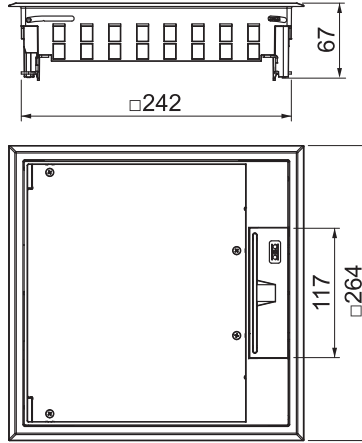
Up to 9 installation devices with 50 mm central plate can be inserted.

Service units for dry-cleaned floors, with handle clamp

PA

GES9-3B service outlet with handle clamp

Type	Colour	Floor covering thickness mm	Pack Piece	Weight kg/100 pc.	Item no.
GES9-3B U 1019	Grey-beige	10	1	205.000	7405081



Service outlet with handle clamp for up to 12 individual Modul 45 devices in 3 UT4 universal supports, use in duct systems and system floors for indoor use.

Floor covering recess in the hinged cover pre-adjusted to 5 mm, if necessary adjustable to 10 mm.

Service outlet with handle clamp, 3-compartment, for the installation of MT9 mounting support. Three type APMT5 cover plates can be installed. Floor covering recess in the hinged cover pre-adjusted to 5 mm, if necessary adjustable to 10 mm.

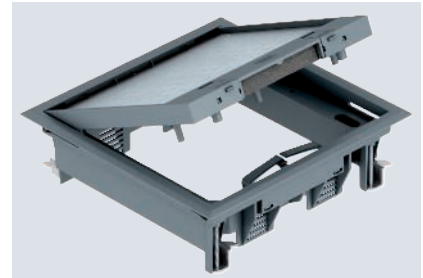
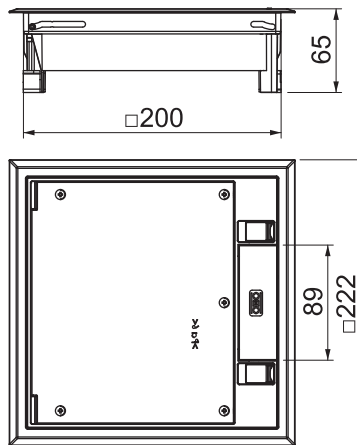
Up to 9 installation devices with 50 mm central plate can be inserted.

Service units for dry-cleaned floors, with locking slider

PA

GES4 service outlet with locking slider

Type	Colour	Floor covering thickness mm	Pack Piece	Weight kg/100 pc.	Item no.
GES4-2U10T 7011	Iron grey	10	1	114.000	7405145



Service outlet with locking slider for up to 6 individual Modul 45 devices in 2 UT3 universal supports, use in duct systems and system floors for indoor use.

Floor covering recess in the hinged cover pre-adjusted to 5 mm, if necessary adjustable to 3, 8 or 10 mm.

Service outlet with locking slider, 2-compartment, for the installation of MT4 mounting support. Two type APMT2 cover plates can be installed. Floor covering recess in the hinged cover pre-adjusted to 5 mm, if necessary adjustable to 3, 8 or 10 mm.

Up to 4 installation devices can be used with 50 mm central plate.



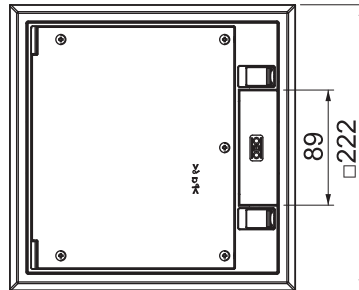
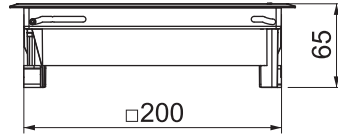
Service units for dry-cleaned floors, with locking slider

PA

GES4 service outlet with locking slider



Type	Colour	Floor covering thickness mm	Pack Piece	Weight kg/100 pc.	Item no.
GES4-2U10T 9011	Graphite black	10	1	124.000	7405146



Service outlet with locking slider for up to 6 individual Modul 45 devices in 2 UT3 universal supports, use in duct systems and system floors for indoor use.

Floor covering recess in the hinged cover pre-adjusted to 5 mm, if necessary adjustable to 3, 8 or 10 mm.

Service outlet with locking slider, 2-compartment, for the installation of MT4 mounting support. Two type APMT2 cover plates can be installed.

Floor covering recess in the hinged cover pre-adjusted to 5 mm, if necessary adjustable to 3, 8 or 10 mm.

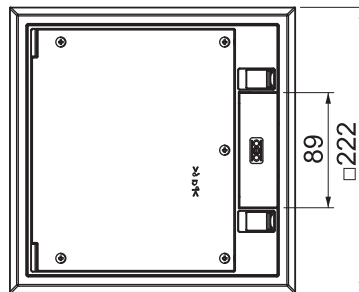
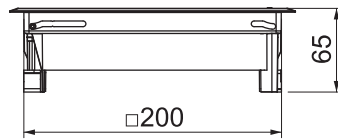
Up to 4 installation devices can be used with 50 mm central plate.

GES4 service outlet with locking slider

PA



Type	Colour	Floor covering thickness mm	Pack Piece	Weight kg/100 pc.	Item no.
GES4-2U10T 1019	Grey-beige	10	1	124.000	7405147



Service outlet with locking slider for up to 6 individual Modul 45 devices in 2 UT3 universal supports, use in duct systems and system floors for indoor use.

Floor covering recess in the hinged cover pre-adjusted to 5 mm, if necessary adjustable to 3, 8 or 10 mm.

Service outlet with locking slider, 2-compartment, for the installation of MT4 mounting support. Two type APMT2 cover plates can be installed.

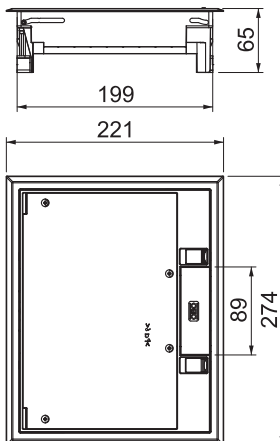
Floor covering recess in the hinged cover pre-adjusted to 5 mm, if necessary adjustable to 3, 8 or 10 mm.

Up to 4 installation devices can be used with 50 mm central plate.

PA

GES6 service outlet with locking slider

Type	Colour	Floor covering thickness mm	Pack	Weight	Item no.
			Piece	kg/100 pc.	
GES6-2U10T 7011	Iron grey	10	1	138.000	7405321



Service outlet with locking slider for up to 9 individual Modul 45 devices in 3 UT3 universal supports, use in duct systems and system floors for indoor use.

Floor covering recess in the hinged cover pre-adjusted to 5 mm, if necessary adjustable to 3, 8 or 10 mm.

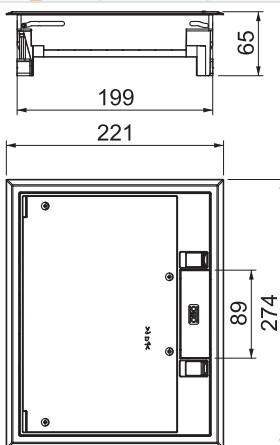
Service outlet with locking slider, 3-compartment, for the installation of MT6 mounting support. Three type APMT2 cover plates can be installed. Floor covering recess in the hinged cover pre-adjusted to 5 mm, if necessary adjustable to 3, 8 or 10 mm.

Up to 6 installation devices with 50 mm central plate can be inserted.

PA

GES6 service outlet with locking slider

Type	Colour	Floor covering thickness mm	Pack	Weight	Item no.
			Piece	kg/100 pc.	
GES6-2U10T 9011	Graphite black	10	1	138.000	7405322



Service outlet with locking slider for up to 9 individual Modul 45 devices in 3 UT3 universal supports, use in duct systems and system floors for indoor use.

Floor covering recess in the hinged cover pre-adjusted to 5 mm, if necessary adjustable to 3, 8 or 10 mm.

Service outlet with locking slider, 3-compartment, for the installation of MT6 mounting support. Three type APMT2 cover plates can be installed. Floor covering recess in the hinged cover pre-adjusted to 5 mm, if necessary adjustable to 3, 8 or 10 mm.

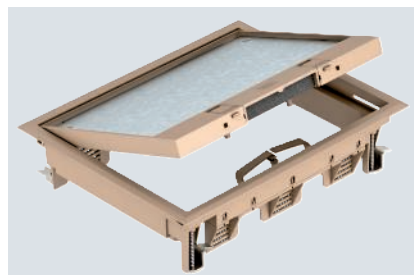
Up to 6 installation devices with 50 mm central plate can be inserted.



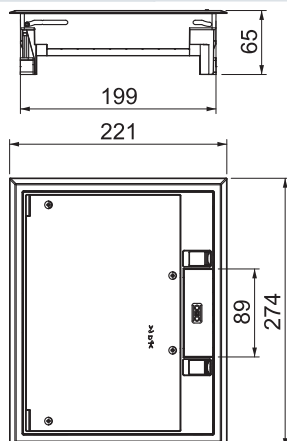
Service units for dry-cleaned floors, with locking slider

PA

GES6 service outlet with locking slider



Type	Colour	Floor covering thickness mm	Pack Piece	Weight kg/100 pc.	Item no.
GES6-2U10T 1019	Grey-beige	10	1	138.000	7405323



Service outlet with locking slider for up to 9 individual Modul 45 devices in 3 UT3 universal supports, use in duct systems and system floors for indoor use.

Floor covering recess in the hinged cover pre-adjusted to 5 mm, if necessary adjustable to 3, 8 or 10 mm.

Service outlet with locking slider, 3-compartment, for the installation of MT6 mounting support. Three type APMT2 cover plates can be installed. Floor covering recess in the hinged cover pre-adjusted to 5 mm, if necessary adjustable to 3, 8 or 10 mm.

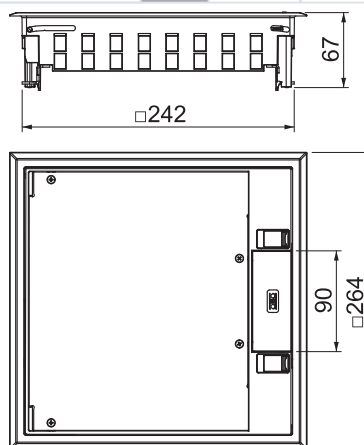
Up to 6 installation devices with 50 mm central plate can be inserted.

GES9-3S service outlet with locking slider

PA



Type	Colour	Floor covering thickness mm	Pack Piece	Weight kg/100 pc.	Item no.
GES9-3S U 7011	Iron grey	10	1	199.500	7405083



Service outlet with locking slider for up to 12 individual Modul 45 devices in 3 UT4 universal supports, use in duct systems and system floors for indoor use.

Floor covering recess in the hinged cover pre-adjusted to 5 mm, if necessary adjustable to 10 mm.

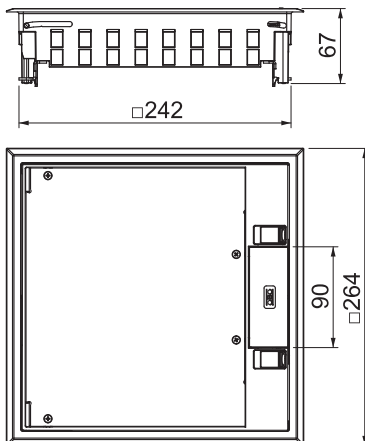
Service outlet with locking slider, 3-compartment, for the installation of MT9 mounting support. Three type APMT5 cover plates can be installed. Floor covering recess in the hinged cover pre-adjusted to 5 mm, if necessary adjustable to 10 mm.

Up to 9 installation devices can be used with a 50 mm central plate.

PA

GES9-3S service outlet with locking slider

Type	Colour	Floor covering thickness mm	Pack Piece	Weight kg/100 pc.	Item no.
GES9-3S U 9011	Graphite black	10	1	199.500	7405085



Service outlet with locking slider for up to 12 individual Modul 45 devices in 3 UT4 universal supports, use in duct systems and system floors for indoor use.

Floor covering recess in the hinged cover pre-adjusted to 5 mm, if necessary adjustable to 10 mm.

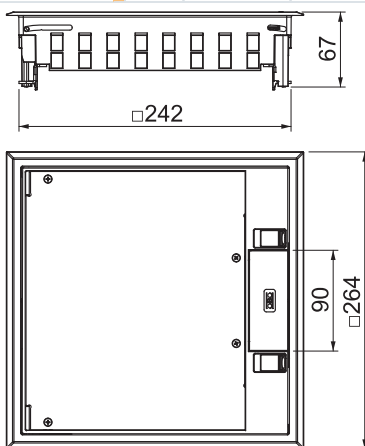
Service outlet with locking slider, 3-compartment, for the installation of MT9 mounting support. Three type APMT5 cover plates can be installed. Floor covering recess in the hinged cover pre-adjusted to 5 mm, if necessary adjustable to 10 mm.

Up to 9 installation devices can be used with a 50 mm central plate.

PA

GES9-3S service outlet with locking slider

Type	Colour	Floor covering thickness mm	Pack Piece	Weight kg/100 pc.	Item no.
GES9-3S U 1019	Grey-beige	10	1	199.500	7405087



Service outlet with locking slider for up to 12 individual Modul 45 devices in 3 UT4 universal supports, use in duct systems and system floors for indoor use.

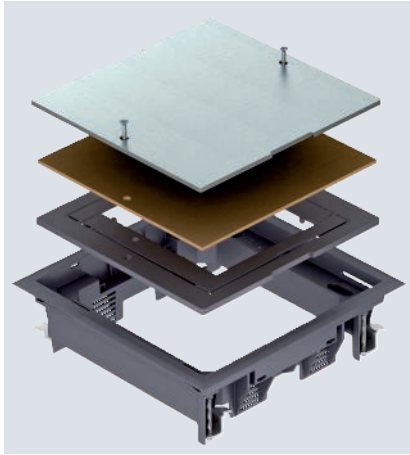
Floor covering recess in the hinged cover pre-adjusted to 5 mm, if necessary adjustable to 10 mm.

Service outlet with locking slider, 3-compartment, for the installation of MT9 mounting support. Three type APMT5 cover plates can be installed. Floor covering recess in the hinged cover pre-adjusted to 5 mm, if necessary adjustable to 10 mm.

Up to 9 installation devices can be used with a 50 mm central plate.

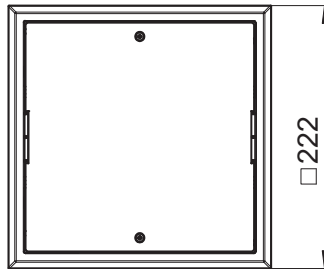
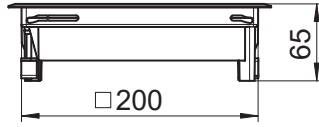


ZES4 inspection cover

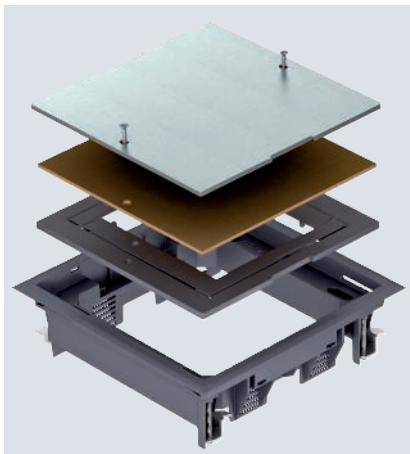


Junction box insert for blanking locking of a square mounting opening of nominal size 4 in trunking systems and system floors for indoor use.
 Floor covering recess is set to 5 mm on delivery, if necessary adjustable to 3, 8 or 10 mm.

Type	Colour	Floor covering thickness mm	Pack Piece	Weight kg/100 pc.	Item no.
ZES4-2 U10T 7011	Iron grey	10	1	158.000	7406701

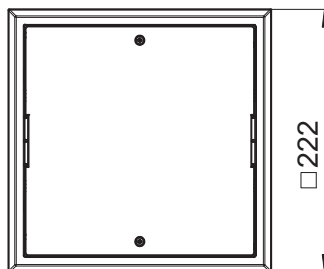
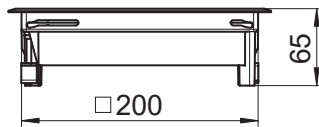


ZES4 inspection cover



Junction box insert for blanking locking of a square mounting opening of nominal size 4 in trunking systems and system floors for indoor use.
 Floor covering recess is set to 5 mm on delivery, if necessary adjustable to 3, 8 or 10 mm.

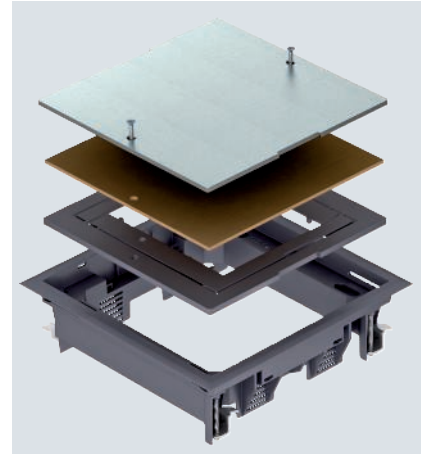
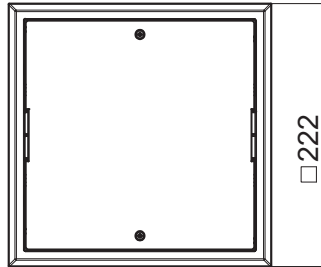
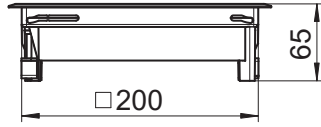
Type	Colour	Floor covering thickness mm	Pack Piece	Weight kg/100 pc.	Item no.
ZES4-2 U10T 9011	Graphite black	10	1	158.000	7406702



PA

ZES4 inspection cover

Type	Colour	Floor covering thickness mm	Pack Piece	Weight kg/100 pc.	Item no.
ZES4-2 U10T 1019	Grey-beige	10	1	158.000	7406703

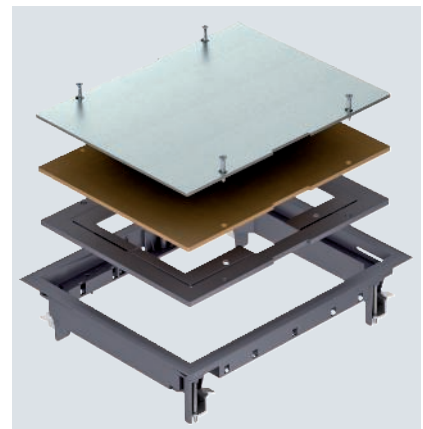
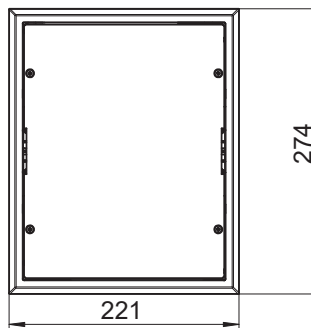
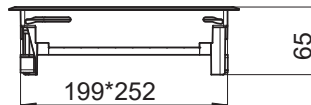


Junction box insert for blanking locking of a square mounting opening of nominal size 4 in trunking systems and system floors for indoor use.
Floor covering recess is set to 5 mm on delivery, if necessary adjustable to 3, 8 or 10 mm.

PA

ZES6 inspection cover

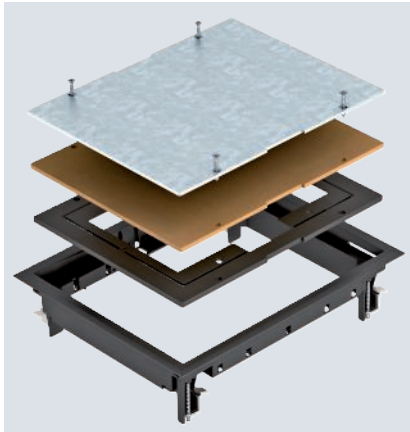
Type	Colour	Floor covering thickness mm	Pack Piece	Weight kg/100 pc.	Item no.
ZES6-2 U10T 7011	Iron gray	10	1	150.000	7406749



Junction box insert for blank closing of a rectangular mounting opening of nominal size 6 in an underfloor duct or trunking system or in raised floor for indoor use. Polyamide floor covering profile.
Recess is 5 mm, if necessary, adjustable to 3, 8 or 10 mm.

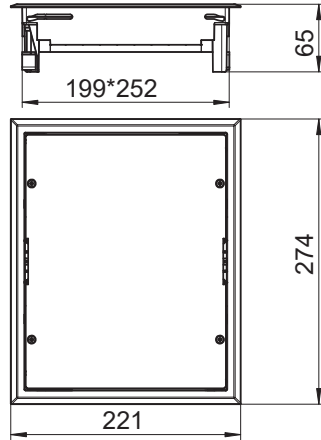


ZES6 inspection cover

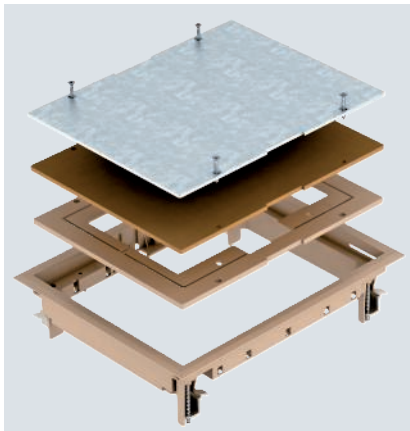


Junction box insert for blank closing of a rectangular mounting opening of nominal size 6 in an underfloor duct or trunking system or in raised floor for indoor use. Polyamide floor covering profile. Recess is 5 mm, if necessary, adjustable to 3, 8 or 10 mm.

Type	Colour	Floor covering thickness mm	Pack Piece	Weight kg/100 pc.	Item no.
ZES6-2 U10T 9011	Graphite black	10	1	150.000	7406750

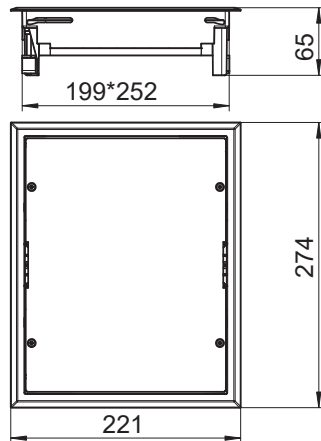


ZES6 inspection cover



Junction box insert for blank closing of a rectangular mounting opening of nominal size 6 in an underfloor duct or trunking system or in raised floor for indoor use. Polyamide floor covering profile. Recess is 5 mm, if necessary, adjustable to 3, 8 or 10 mm.

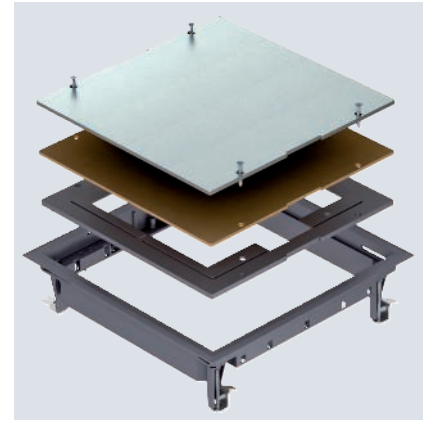
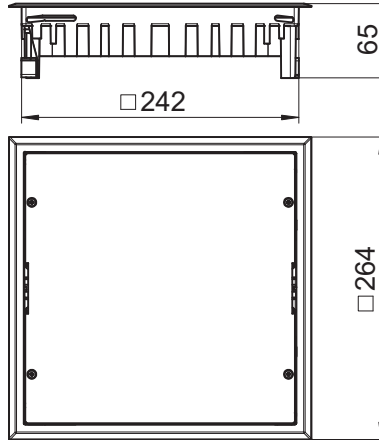
Type	Colour	Floor covering thickness mm	Pack Piece	Weight kg/100 pc.	Item no.
ZES6-2 U10T 1019	Grey-beige	10	1	150.000	7406751



PA

ZES9 inspection cover

Type	Colour	Floor covering thickness mm	Pack Piece	Weight kg/100 pc.	Item no.
ZES9-2 U10T 7011	Iron grey	10	1	206.300	7406672

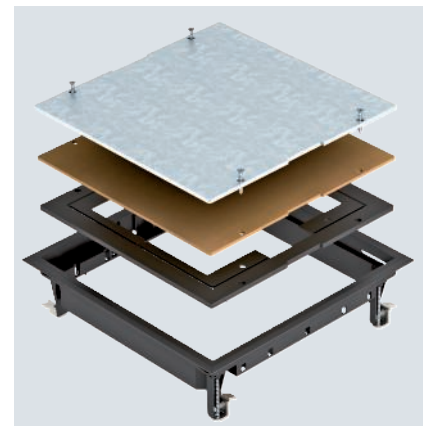
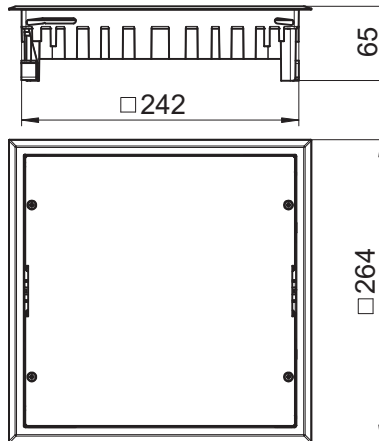


Junction box insert for blank closing of a square mounting opening of nominal size 9 in an under-floor duct or trunking system or in raised floor for indoor use. Polyamide floor covering profile. Recess is 5 mm, if necessary, adjustable to 3, 8 or 10 mm.

PA

ZES9 inspection cover

Type	Colour	Floor covering thickness mm	Pack Piece	Weight kg/100 pc.	Item no.
ZES9-2 U10T 9011	Graphite black	10	1	206.300	7406674



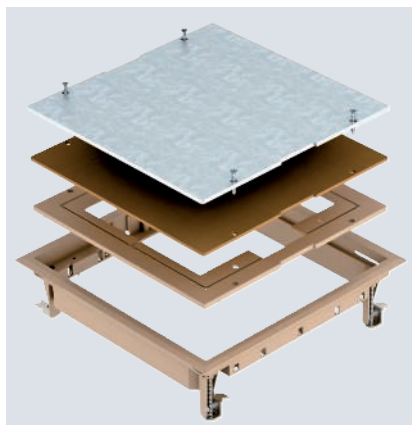
Junction box insert for blank closing of a square mounting opening of nominal size 9 in an under-floor duct or trunking system or in raised floor for indoor use. Polyamide floor covering profile. Recess is 5 mm, if necessary, adjustable to 3, 8 or 10 mm.



Inspection cover for dry-cleaned floors

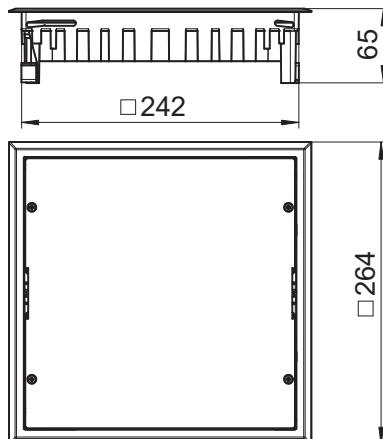
PA

ZES9 inspection cover



Junction box insert for blank closing of a square mounting opening of nominal size 9 in an under-floor duct or trunking system or in raised floor for indoor use. Polyamide floor covering profile. Recess is 5 mm, if necessary, adjustable to 3, 8 or 10 mm.

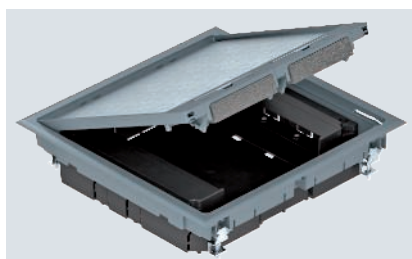
Type	Colour	Floor covering thickness mm	Pack Piece	Weight kg/100 pc.	Item no.
ZES9-2 U10T 1019	Grey-beige	10	1	206.300	7406676



Service units for thin screed layers

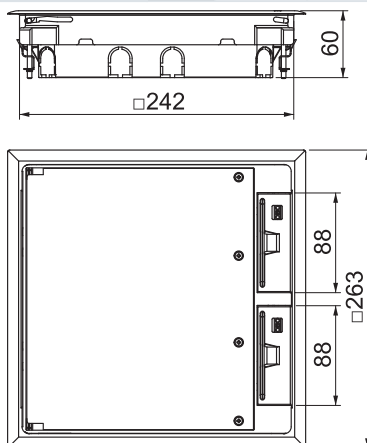
PA

Service outlet, square, for screed height 55 mm



GES9 service outlet with a fixed construction height of 55 mm for use in installation trunking systems in dry rooms with dry-care floors in interior areas. With two installation housings for vertical mounting of Modul 45 devices and four strain reliefs. Two installation frames are required to mount Modul 45 devices. The data modules are mounted using a maximum of two optional MPMT45 mounting plates. The service outlet is equipped with universal fastening brackets.

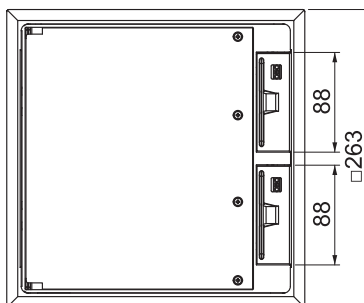
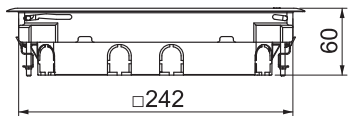
Type	Colour	Floor covering thickness mm	Pack Piece	Item no.
GES9 55U V 7011	Iron grey	5	1	7405037



PA

Service outlet, square, for screed height 55 mm

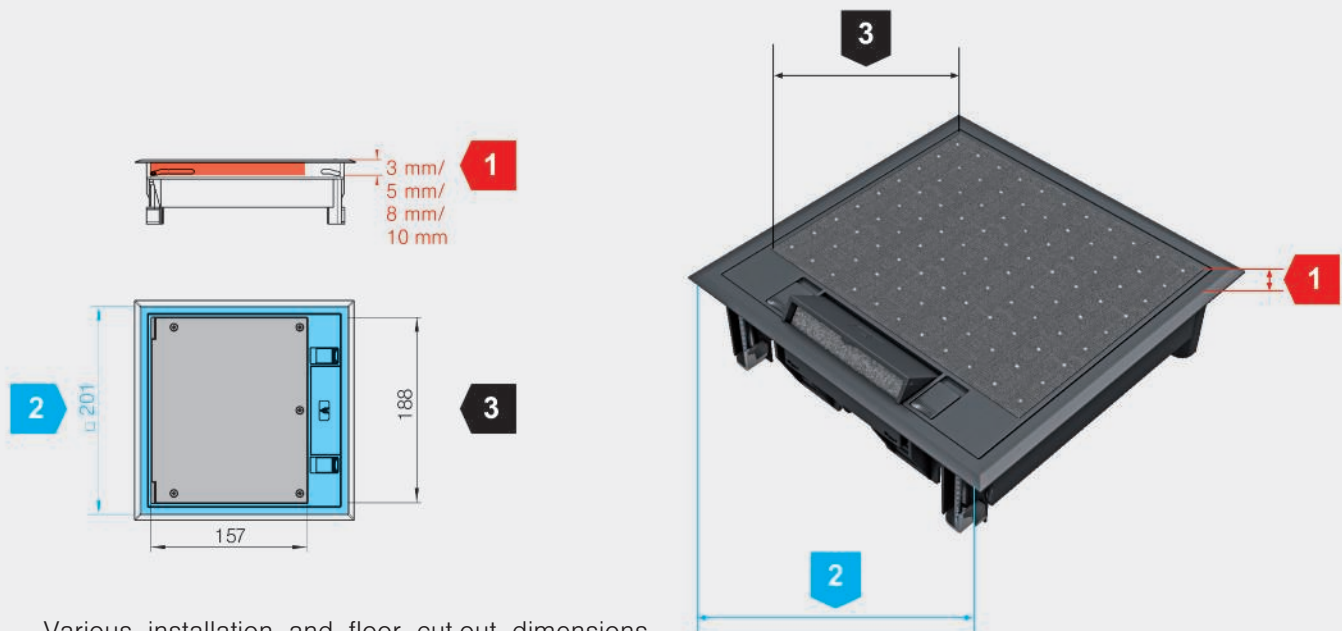
Type	Colour	Floor covering thickness mm	Pack Piece	Item no.
GES9 55U V 9011	Graphite black	5	1	7405039



GES9 service outlet with a fixed construction height of 55 mm for use in installation trunking systems in dry rooms with dry-care floors in interior areas. With two installation housings for vertical mounting of Modul 45 devices and four strain reliefs. Two installation frames are required to mount Modul 45 devices. The data modules are mounted using a maximum of two optional MPMT45 mounting plates. The service outlet is equipped with universal fastening brackets.



Installation and floor cut-out dimensions



Various installation and floor cut-out dimensions must be taken into account for the mounting of service outlets and the application of floor coverings in the device lids.

1

Frame height for the floor covering in the lid (red dimensions)

The frame height data relates to the maximum floor covering thickness, including adhesive. If, in the figure, several heights are specified, then the frame height can be changed during construction: By adding or removing spaces, it is possible to adjust the desired frame height to the floor covering. In the as-delivered state, the frame height is usually 5 mm.

3

Internal dimension of the lid to determine the floor covering cut-out (black dimensions)

The dimension data relates to the internal dimension of the cover and is used to calculate the floor covering cut-out. Depending on the type of floor covering, appropriate reductions should be taken into account, e.g. for expansion gaps.

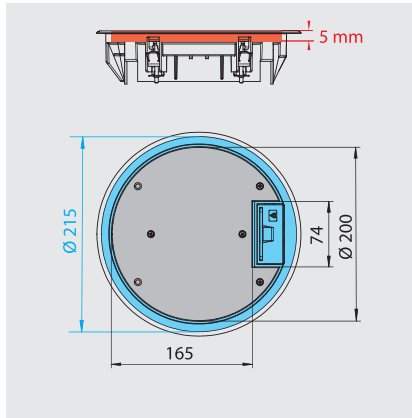
2

Floor cut-out for the installation of service outlets (blue dimensions)

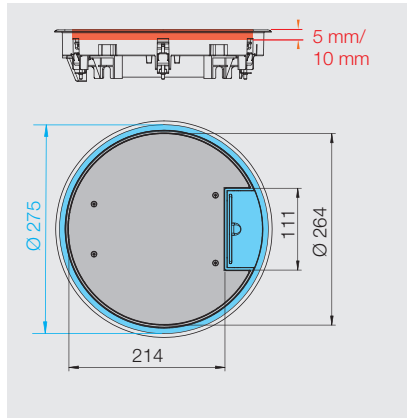
The dimensions for the floor cut-out should be considered as target dimensions for correct installation of the service outlet in the floor. They are only generally required for the floor cut-out in system floors. When mounting service outlets in the EÜK screed-covered duct system or in the OKA open trunking system, they need not be taken into account, as these systems offer prefabricated mounting lids with matching installation openings.



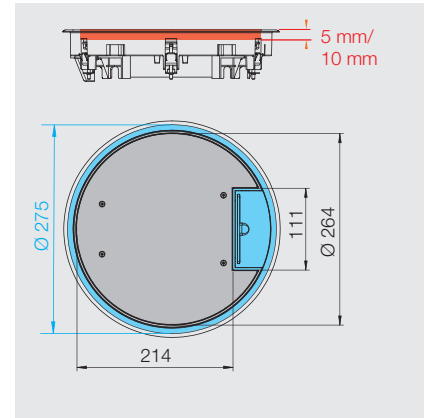
System measurements service outlets, round



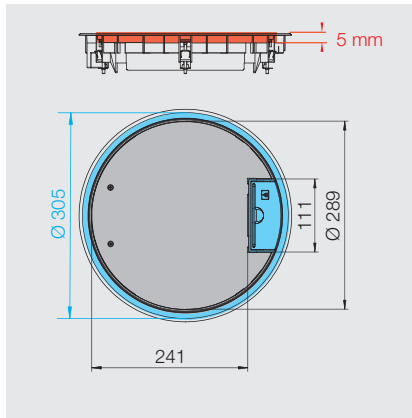
Nominal size R4, type GESR4



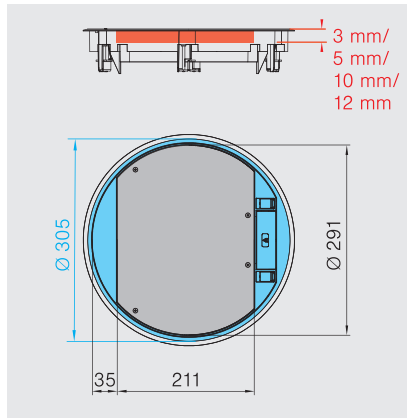
Nominal size R7, type GESR7



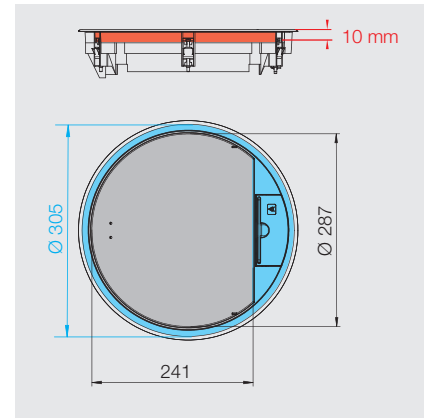
Nominal size R7, type GESRA7



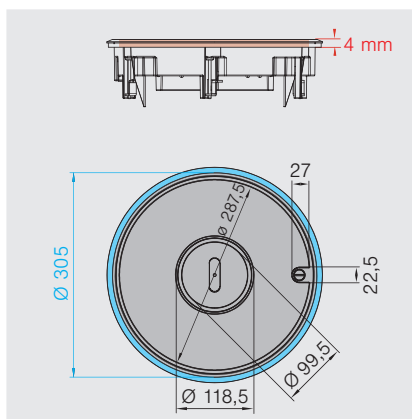
Nominal size R9, type GESR9



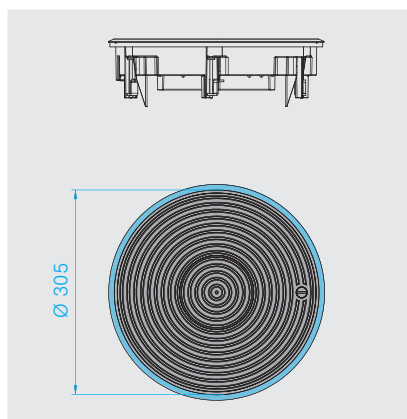
Nominal size R9, type GESR9-2



Nominal size R9, type GESRA9



Nominal size R9, type GRAF9-2
BA



Nominal size R9, type GRAF9-2





GES service outlets, round

Service outlets supply workstations and other areas in the centre of the room with power and data connections via the floor. There are versions for dry and wet-cleaned floors. Service outlets are suitable for installation in screed-flush and screed-covered underfloor systems.

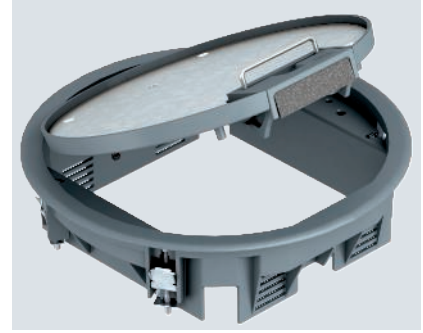
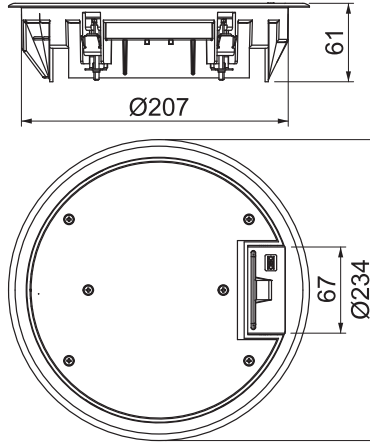
- Universal service outlet for all systems
- Suitable for dry-cleaned floors
- Adjustable for different covering thicknesses



PA

GESR4 service outlet with handle clamp

Type	Colour	Floor covering thickness mm	Pack Piece	Weight kg/100 pc.	Item no.
GESR4 U 7011	Irongrey	5	1	140.000	7405436



Service outlet with handle clamp for up to 6 individual Modul 45 devices in 2 UT3 universal supports, use in duct systems and system floors for indoor use.

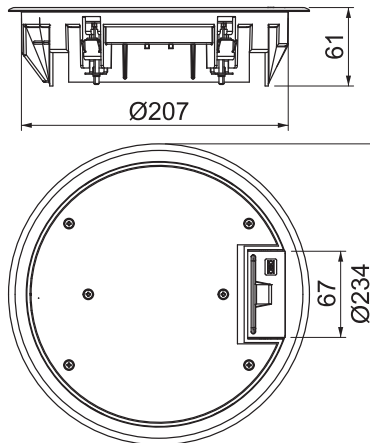
Service outlet with handle clamp, 2-compartment, for the installation of MT4 mounting support. Two type APMT2 cover plates can be installed.

Up to 4 installation devices with 50 mm central plate can be inserted.

PA

GESR4 service outlet with handle clamp

Type	Colour	Floor covering thickness mm	Pack Piece	Weight kg/100 pc.	Item no.
GESR4 U 9011	Graphite black	5	1	140.000	7405440



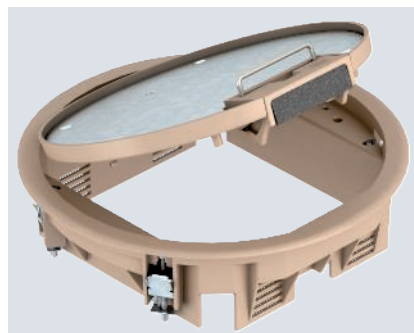
Service outlet with handle clamp for up to 6 individual Modul 45 devices in 2 UT3 universal supports, use in duct systems and system floors for indoor use.

Service outlet with handle clamp, 2-compartment, for the installation of MT4 mounting support. Two type APMT2 cover plates can be installed.

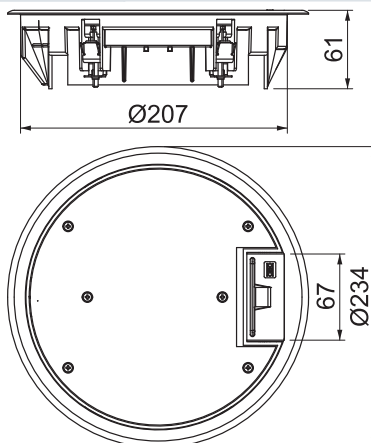
Up to 4 installation devices with 50 mm central plate can be inserted.



GESR4 service outlet with handle clamp



Type	Colour	Floor covering thickness mm	Pack Piece	Weight kg/100 pc.	Item no.
GESR4 U 1019	Grey-beige	5	1	140.000	7405444

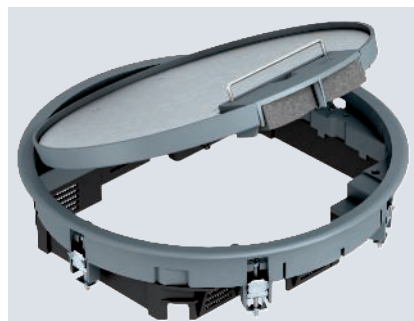


Service outlet with handle clamp for up to 6 individual Modul 45 devices in 2 UT3 universal supports, use in duct systems and system floors for indoor use.

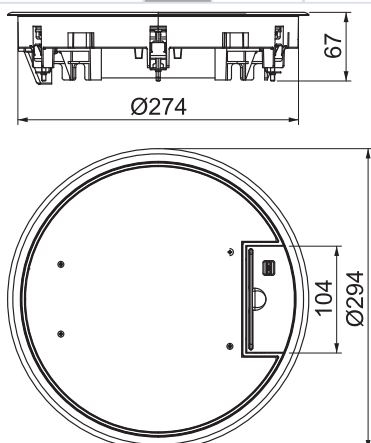
Service outlet with handle clamp, 2-compartment, for the installation of MT4 mounting support. Two type APMT2 cover plates can be installed.

Up to 4 installation devices with 50 mm central plate can be inserted.

GESR7 service outlet with handle clamp



Type	Colour	Floor covering thickness mm	Pack Piece	Weight kg/100 pc.	Item no.
GESR7 10U 7011	Iron grey	10	1	238.200	7405452



Service outlet with handle clamp for up to 10 individual Modul 45 devices in 2 UT3 and one UT4 universal support, use in duct systems and system floors for indoor use.

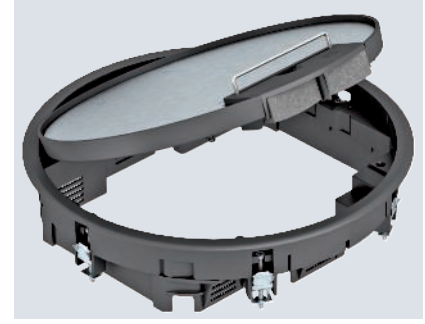
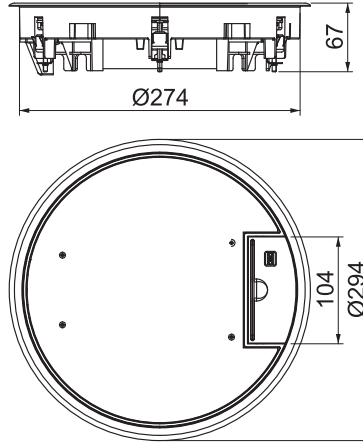
Up to 7 installation devices with 50 mm central plate can be inserted.



PA

GESR7 service outlet with handle clamp

Type	Colour	Floor covering thickness mm	Pack Piece	Weight kg/100 pc.	Item no.
GESR7 10U 9011	Graphite black	10	1	250.500	7405456



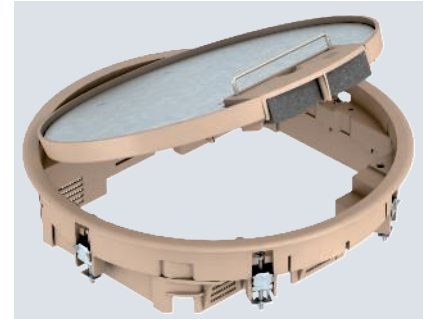
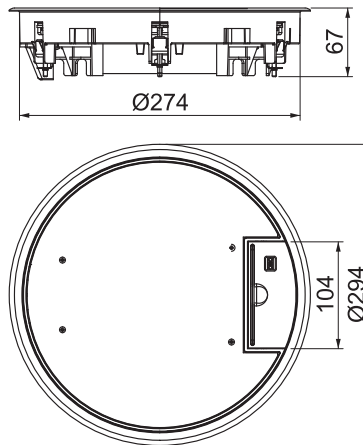
Service outlet with handle clamp for up to 10 individual Modul 45 devices in 2 UT3 and one UT4 universal support, use in duct systems and system floors for indoor use.

Up to 7 installation devices with 50 mm central plate can be inserted.

PA

GESR7 service outlet with handle clamp

Type	Colour	Floor covering thickness mm	Pack Piece	Weight kg/100 pc.	Item no.
GESR7 10U 1019	Grey beige	10	1	250.500	7405460



Service outlet with handle clamp for up to 10 individual Modul 45 devices in 2 UT3 and one UT4 universal support, use in duct systems and system floors for indoor use.

Up to 7 installation devices with 50 mm central plate can be inserted.

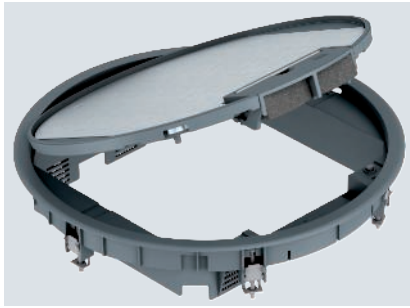




Service units for dry-cleaned floors, with handle clamp

PA

GESR9 service outlet with handle clamp

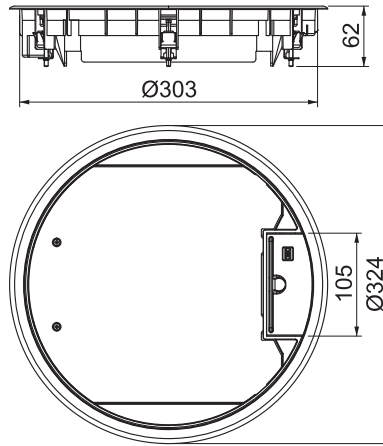


Service outlet with handle clamp for up to 12 individual Modul 45 devices in 3 UT4 universal supports, use in duct systems and system floors for indoor use.

Also to be used in conjunction with the MT mounting support. The number of installable accessories depends on the type of accessories.

Up to 9 installation devices with 50 mm central plate can be inserted.

Type	Colour	Floor covering thickness mm	Pack Piece	Weight kg/100 pc.	Item no.
GESR9 U 7011	Iron grey	5	1	232.000	7405528



GESR9 service outlet with handle clamp

PA

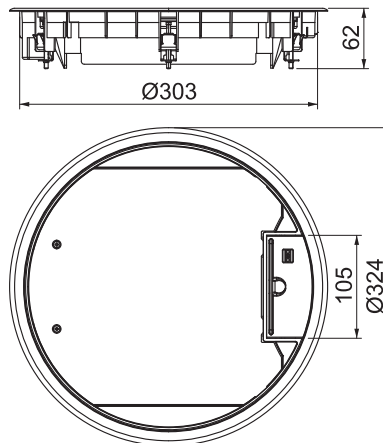


Service outlet with handle clamp for up to 12 individual Modul 45 devices in 3 UT4 universal supports, use in duct systems and system floors for indoor use.

Also to be used in conjunction with the MT mounting support. The number of installable accessories depends on the type of accessories.

Up to 9 installation devices with 50 mm central plate can be inserted.

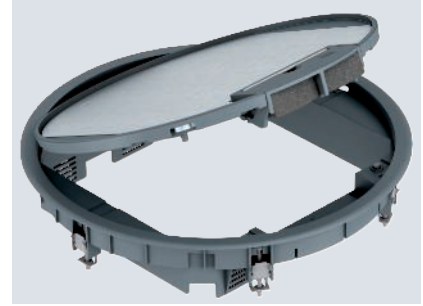
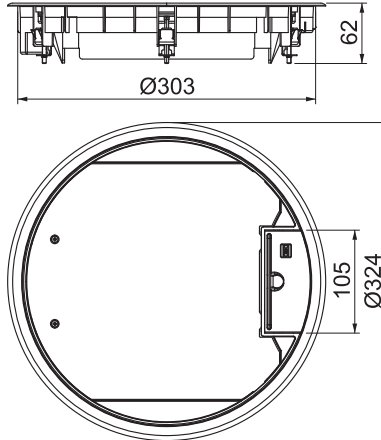
Type	Colour	Floor covering thickness mm	Pack Piece	Weight kg/100 pc.	Item no.
GESR9 U 9011	Graphite black	5	1	232.000	7405532



PA

GESR9 service outlet with handle clamp

Type	Colour	Floor covering thickness mm	Pack Piece	Weight kg/100 pc.	Item no.
GESR9 U 1019	Grey-beige	5	1	232.000	7405536



Service outlet with handle clamp for up to 12 individual Modul 45 devices in 3 UT4 universal supports, use in duct systems and system floors for indoor use.

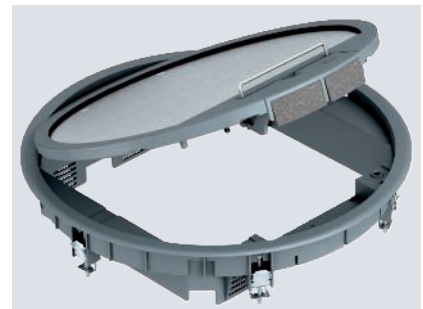
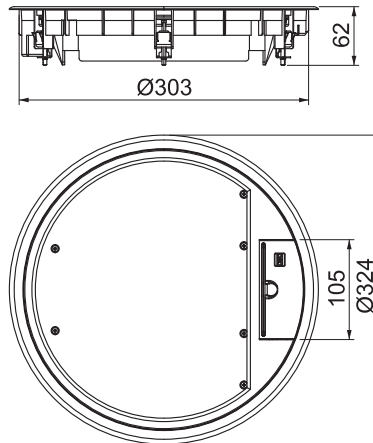
Also to be used in conjunction with the MT mounting support. The number of installable accessories depends on the type of accessories.

Up to 9 installation devices with 50 mm central plate can be inserted.

PA

GESR9 service outlet with carpet protection frame in hinged cover

Type	Colour	Floor covering thickness mm	Pack Piece	Weight kg/100 pc.	Item no.
GESR9 SR U 7011	Iron grey	5	1	270.000	7405512



Service outlet with handle clamp for up to 12 individual Modul 45 devices in 3 UT4 universal supports, use in duct systems and system floors for indoor use.

Also to be used in conjunction with the MT mounting support. The number of installable accessories depends on the type of accessories.

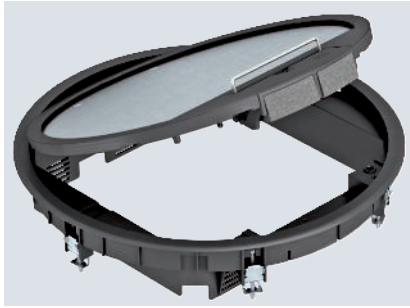
Up to 9 installation devices with 50 mm central plate can be inserted.



Service units for dry-cleaned floors, with handle clamp

PA

GESR9 service outlet with carpet protection frame in hinged cover

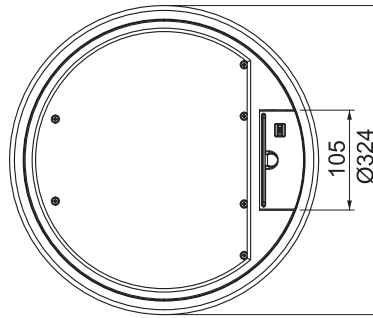
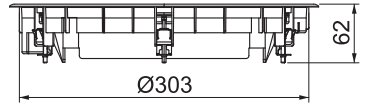


Service outlet with handle clamp for up to 12 individual Modul 45 devices in 3 UT4 universal supports, use in duct systems and system floors for indoor use.

Also to be used in conjunction with the MT mounting support. The number of installable accessories depends on the type of accessories.

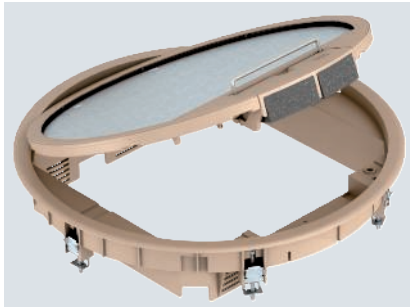
Up to 9 installation devices with 50 mm central plate can be inserted.

Type	Colour	Floor covering thickness mm	Pack Piece	Weight kg/100 pc.	Item no.
GESR9 SR U 9011	Graphite black	5	1	270.000	7405516



GESR9 service outlet with carpet protection frame in hinged cover

PA

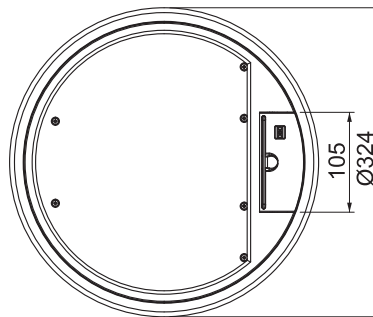
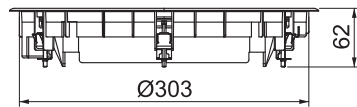


Service outlet with handle clamp for up to 12 individual Modul 45 devices in 3 UT4 universal supports, use in duct systems and system floors for indoor use.

Also to be used in conjunction with the MT mounting support. The number of installable accessories depends on the type of accessories.

Up to 9 installation devices with 50 mm central plate can be inserted.

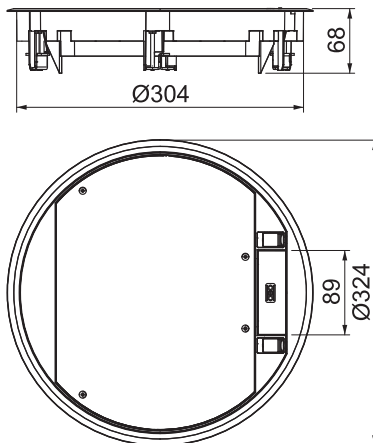
Type	Colour	Floor covering thickness mm	Pack Piece	Weight kg/100 pc.	Item no.
GESR9 SR U 1019	Grey-beige	5	1	270.000	7405520



PA

GESR9 service outlet with locking slider

Type	Colour	Floor covering thickness mm	Pack Piece	Weight kg/100 pc.	Item no.
GESR9-2U12T 7011	Iron grey	12	1	244.000	7405465



Service outlet with locking slider for up to 12 individual Modul 45 devices in 3 UT4 universal supports, use in duct and trunking systems and system floors.

5 mm floor covering recess in the hinged cover, if necessary, adjustable to 3, 10 or 12 mm.

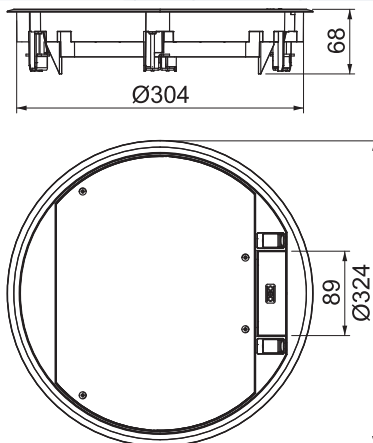
Service outlet with locking slider, 3-compartment, for the installation of MT9 mounting support. Three type APMT5 cover plates can be installed. Floor covering recess in the hinged cover pre-adjusted to 5 mm, if necessary adjustable to 3, 10 or 12 mm.

Up to 9 installation devices with 50 mm central plate can be inserted.

PA

GESR9 service outlet with locking slider

Type	Colour	Floor covering thickness mm	Pack Piece	Weight kg/100 pc.	Item no.
GESR9-2U12T 9011	Graphite black	12	1	244.000	7405466



Service outlet with locking slider for up to 12 individual Modul 45 devices in 3 UT4 universal supports, use in duct and trunking systems and system floors.

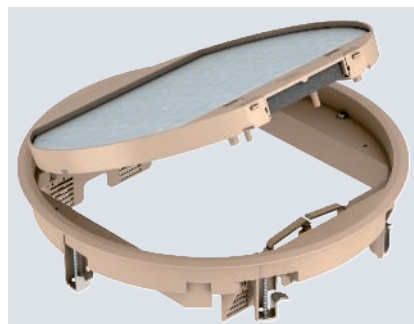
5 mm floor covering recess in the hinged cover, if necessary, adjustable to 3, 10 or 12 mm.

Service outlet with locking slider, 3-compartment, for the installation of MT9 mounting support. Three type APMT5 cover plates can be installed. Floor covering recess in the hinged cover pre-adjusted to 5 mm, if necessary adjustable to 3, 10 or 12 mm.

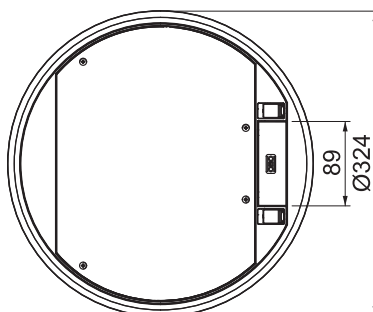
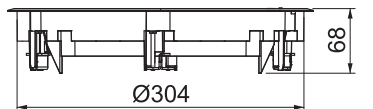
Up to 9 installation devices with 50 mm central plate can be inserted.



GESR9 service outlet with locking slider



Type	Colour	Floor covering thickness mm	Pack Piece	Weight kg/100 pc.	Item no.
GESR9-2U12T 1019	Grey-beige	12	1	244.000	7405467



Service outlet with locking slider for up to 12 individual Modul 45 devices in 3 UT4 universal supports, use in duct and trunking systems and system floors.

5 mm floor covering recess in the hinged cover, if necessary, adjustable to 3, 10 or 12 mm.

Service outlet with locking slider, 3-compartment, for the installation of MT9 mounting support.

Three type APMT5 cover plates can be installed. Floor covering recess in the hinged cover pre-adjusted to 5 mm, if necessary adjustable to 3, 10 or 12 mm.

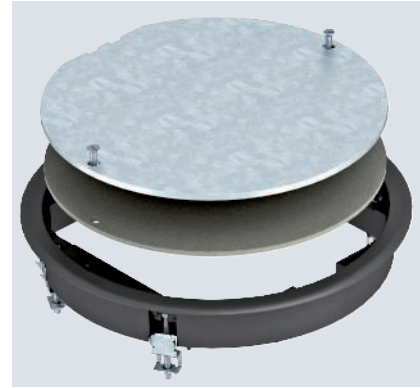
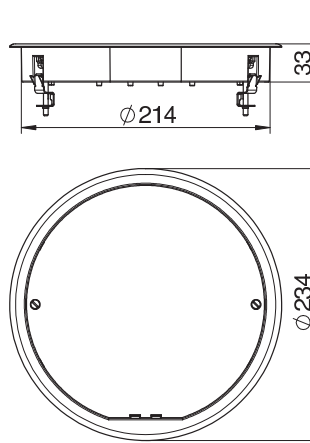
Up to 9 installation devices with 50 mm central plate can be inserted.



PA

ZESR4 inspection cover

Type	Colour	Floor covering thickness mm	Pack Piece	Weight kg/100 pc.	Item no.
ZESR4 U 7011	Iron grey	5	1	140.000	7406772

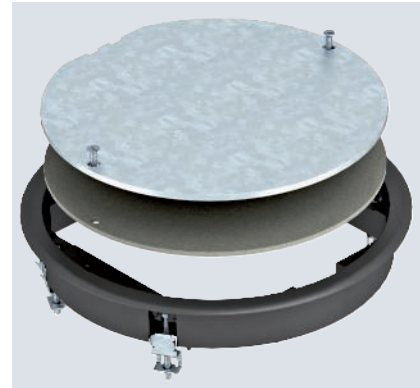
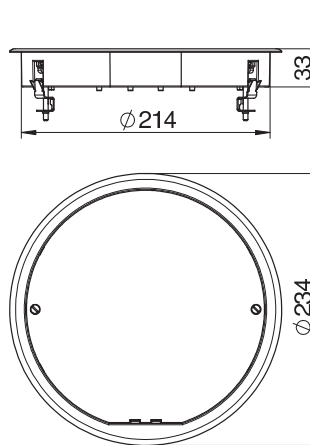


Draw box insert for blanking locking of a square round mounting opening of nominal size R4 in trunking systems and system floors for indoor use.

PA

ZESR4 inspection cover

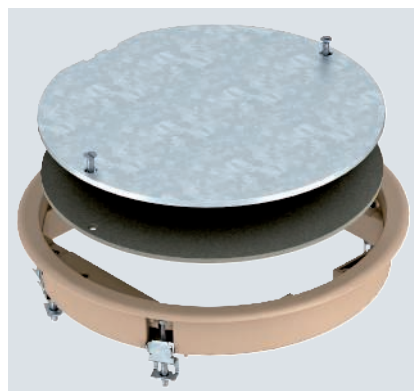
Type	Colour	Floor covering thickness mm	Pack Piece	Weight kg/100 pc.	Item no.
ZESR4 U 9011	Graphite black	5	1	140.000	7406776



Draw box insert for blanking locking of a square round mounting opening of nominal size R4 in trunking systems and system floors for indoor use.

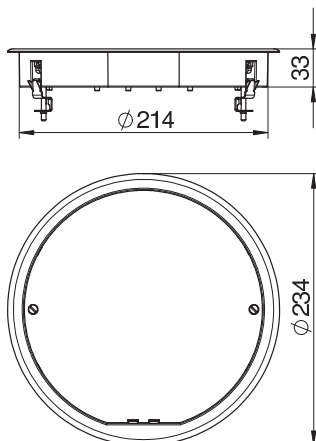


ZESR4 inspection cover

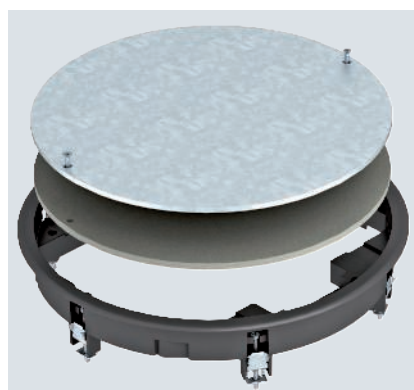


Draw box insert for blanking locking of a square round mounting opening of nominal size R4 in trunking systems and system floors for indoor use.

Type	Colour	Floor covering thickness mm	Pack Piece	Weight kg/100 pc.	Item no.
ZESR4 U 1019	Grey-beige	5	1	140.000	7406780

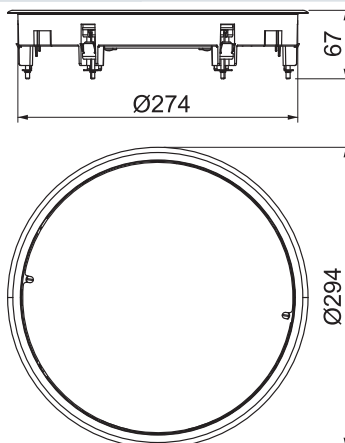


ZESR7 inspection cover



Junction box insert for blank closing of a round mounting opening of nominal size R7 in trunking systems and in raised and cavity floors for indoor use. With universal fixing bracket. Polyamide carpet protection frame.

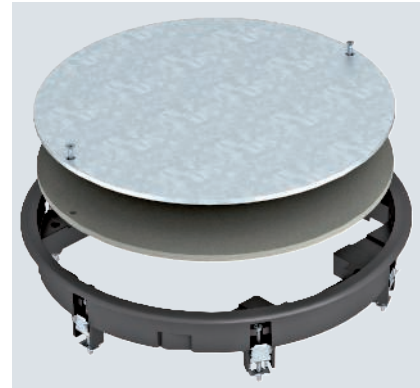
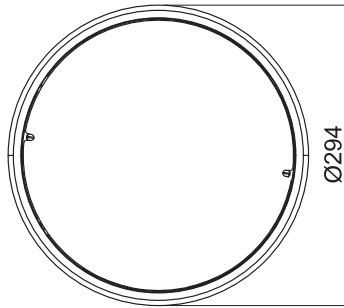
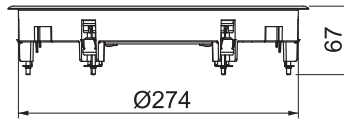
Type	Colour	Floor covering thickness mm	Pack Piece	Weight kg/100 pc.	Item no.
ZESR7 10U 7011	Iron grey	10	1	225.800	7406788



PA

ZESR7 inspection cover

Type	Colour	Floor covering thickness mm	Pack Piece	Weight kg/100 pc.	Item no.
ZESR7 10U 9011	Graphite black	10	1	225.800	7406792

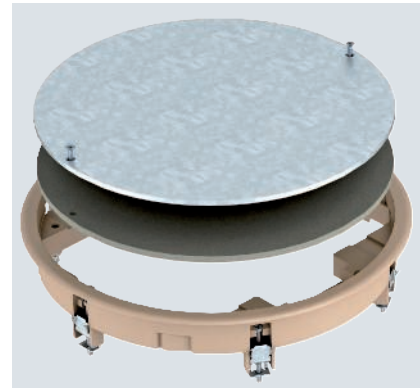
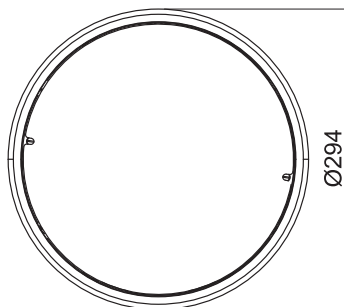
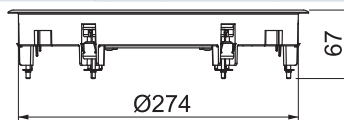


Junction box insert for blank closing of a round mounting opening of nominal size R7 in trunking systems and in raised and cavity floors for indoor use. With universal fixing bracket. Polyamide carpet protection frame.

PA

ZESR7 inspection cover

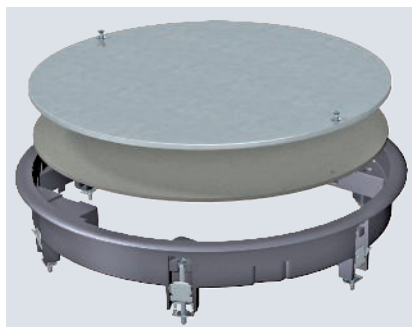
Type	Colour	Floor covering thickness mm	Pack Piece	Weight kg/100 pc.	Item no.
ZESR7 10U 1019	Grey-beige	10	1	225.800	7406796



Junction box insert for blank closing of a round mounting opening of nominal size R7 in trunking systems and in raised and cavity floors for indoor use. With universal fixing bracket. Polyamide carpet protection frame.

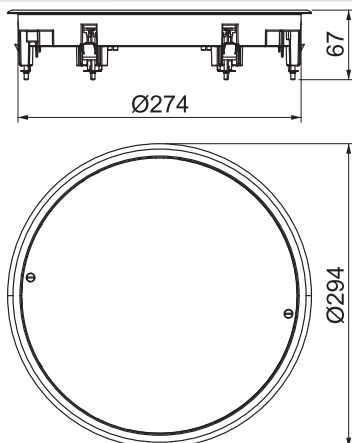


ZESRA7 inspection cover

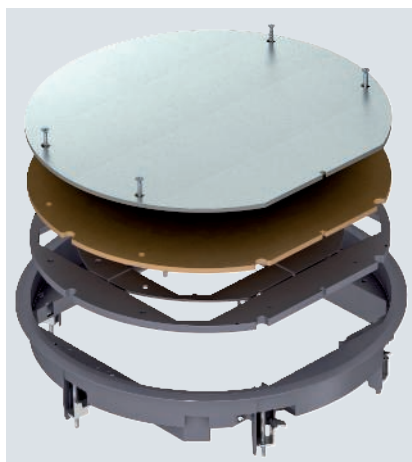


Draw box insert for blank closing of a round mounting opening of nominal size R7 in trunking systems and in raised and cavity floors. With universal fastening bracket. Carpet protection frame made of die-cast aluminium.

Type	Material	Floor covering thickness mm	Pack Piece	Weight kg/100 pc.	Item no.
ZESRA7 10U	AIG	10	1	225.800	7406824

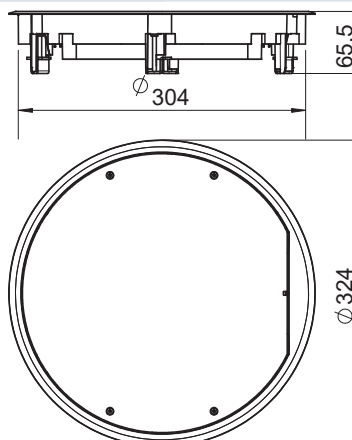


ZESR9 inspection cover



Junction box insert for blank closing of a round mounting opening of nominal size R9 in trunking systems and in raised and cavity floors for indoor use. With universal fixing bracket. Polyamide carpet protection frame. Floor covering recess 12 mm.

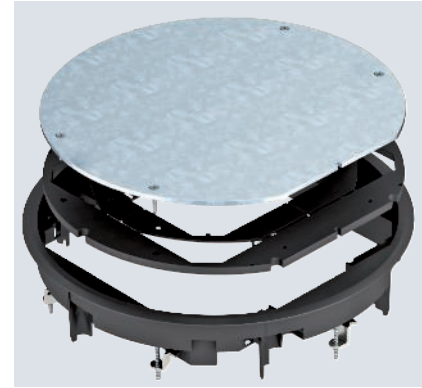
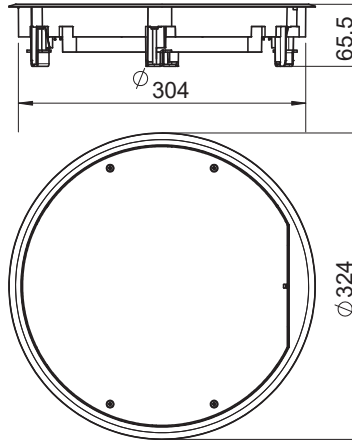
Type	Colour	Floor covering thickness mm	Pack Piece	Weight kg/100 pc.	Item no.
ZESR9-2 U12T7011	Iron grey	12	1	298.000	7406805



PA

ZESR9 inspection cover

Type	Colour	Floor covering thickness mm	Pack Piece	Weight kg/100 pc.	Item no.
ZESR9-2 U12T9011	Graphite black	12	1	298.000	7406806

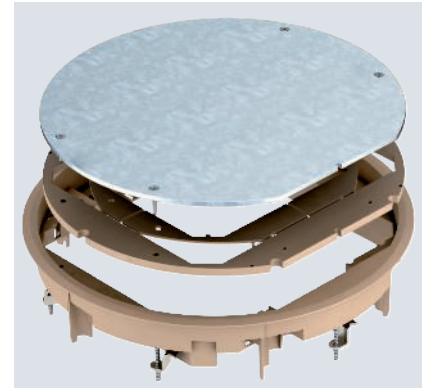
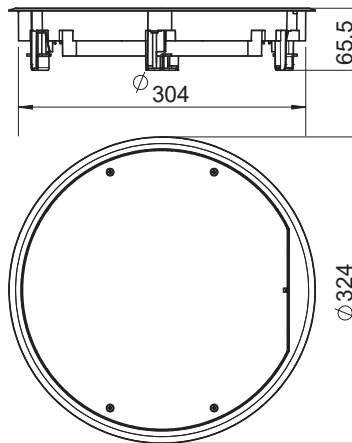


Junction box insert for blank closing of a round mounting opening of nominal size R9 in trunking systems and in raised and cavity floors for indoor use. With universal fixing bracket. Polyamide carpet protection frame. Floor covering recess 12 mm.

PA

ZESR9 inspection cover

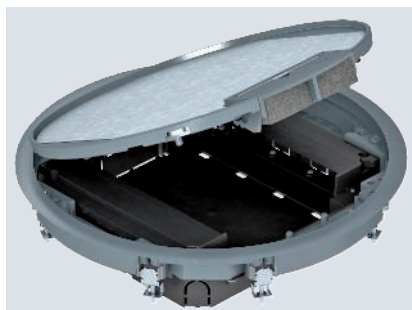
Type	Colour	Floor covering thickness mm	Pack Piece	Weight kg/100 pc.	Item no.
ZESR9-2 U12T1019	Grey-beige	12	1	298.000	7406807



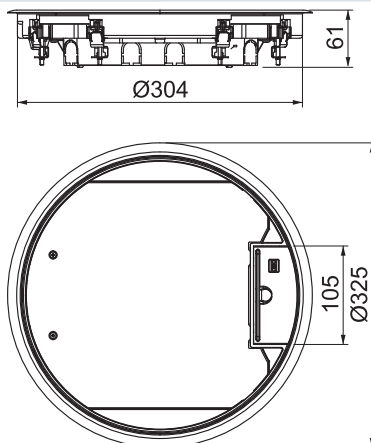
Junction box insert for blank closing of a round mounting opening of nominal size R9 in trunking systems and in raised and cavity floors for indoor use. With universal fixing bracket. Polyamide carpet protection frame. Floor covering recess 12 mm.



Service outlet, round, for screed height 55 mm

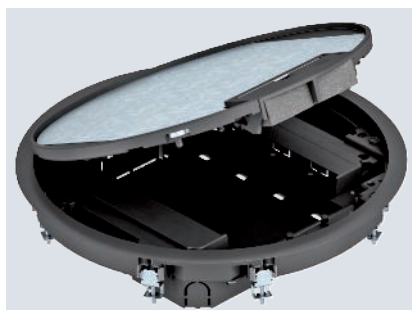


Type	Colour	Floor covering thickness mm	Pack Piece	Item no.
GESR9 55U V 7011	Iron grey	5	1	7405047

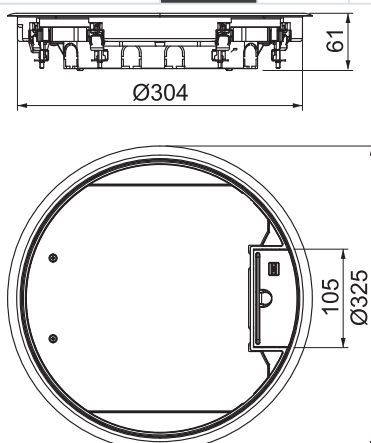


GESR9 service outlet with a fixed construction height of 55 mm for indoor use. With two fitted plug housings for vertical mounting of Modul 45 devices and four strain reliefs. Two installation frames are required to mount Modul 45 devices. The data modules are mounted using an optional mounting plate MPMT45. The service outlet is equipped with universal fastening brackets.

Service outlet, round, for screed height 55 mm

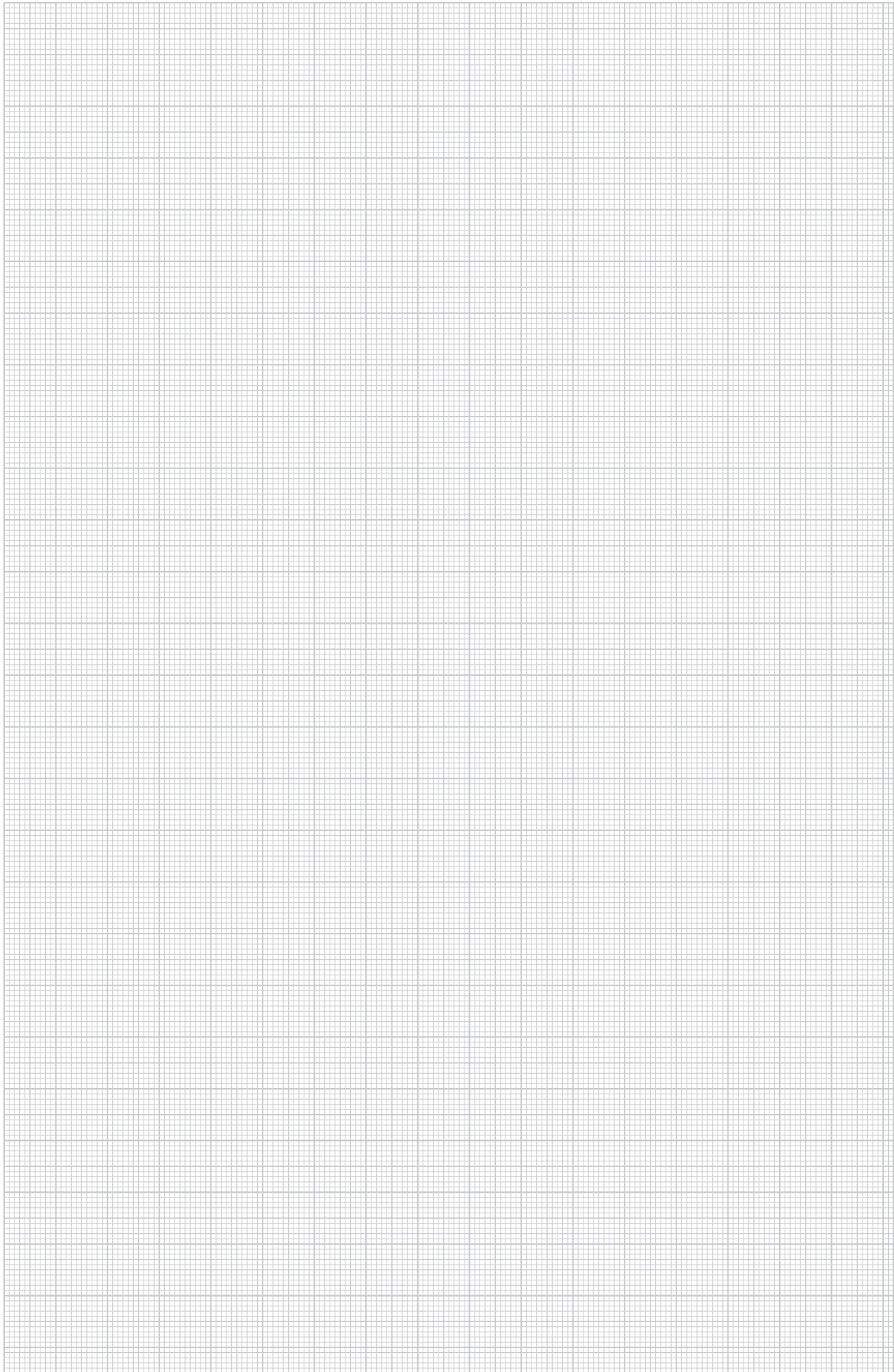


Type	Colour	Floor covering thickness mm	Pack Piece	Item no.
GESR9 55U V 9011	Graphite black	5	1	7405049



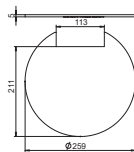
GESR9 service outlet with a fixed construction height of 55 mm for indoor use. With two fitted plug housings for vertical mounting of Modul 45 devices and four strain reliefs. Two installation frames are required to mount Modul 45 devices. The data modules are mounted using an optional mounting plate MPMT45. The service outlet is equipped with universal fastening brackets.





Filler

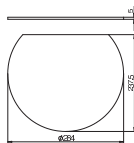
Filler for GESR(A)7/10 round service outlet



Material		Pack	Weight	Item no.
Type	Piece	kg/100 pc.	pc.	
FS R7 10 5	HP	1	21.500	7407208

Filler to reduce the floor covering recess in the hinged cover of a GESR(A)7/10 service outlet to 5 mm. One-sided coating with double-sided adhesive surface.

Filler for GESRA9/10 round service outlet



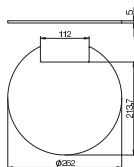
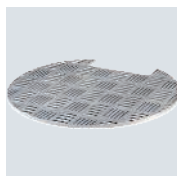
Material		Pack	Weight	Item no.
Type	Piece	kg/100 pc.	pc.	
FS RA9 10 5	HP	1	23.500	7407216

Filler to reduce the floor covering recess in the hinged cover of a GESRA9/10 service outlet to 5 mm. One-sided coating with double-sided adhesive surface.

Inlay plates

Inlay plate for round service outlet GESR7 10U

Alu

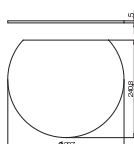
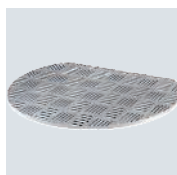


Material		Pack	Weight	Item no.
Type	Piece	kg/100 pc.	pc.	
EP QR R7	Alu	1	50.000	7407184

Inlay plate for surface-flush insertion in service outlets. Surface with quintet checker plate structure. Use in service outlet with 10 mm floor covering recess only in conjunction with the appropriate filler.

Inlay plate for round service outlet GESRA9 10U

Alu



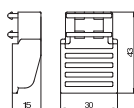
Material		Pack	Weight	Item no.
Type	Piece	kg/100 pc.	pc.	
EP QR RA9 10	Alu	1	78.300	7407196

Inlay plate for surface-flush insertion in service outlets. Surface with quintet checker plate structure. Use only in conjunction with the appropriate filler.

Lock extensions

Ladder extensions

PA



Material		Pack	Weight	Item no.
Type	Piece	kg/100 pc.	pc.	
GES RV	PA	2	0.521	7407536

For additional lowering of a mounting box by max. 25 mm.

Alu

Fastening bracket for raised floor mounting

Type	Pack	Weight	Item no.
	PU	kg/100 PUs	
GES4 BG DB	1	8.000	7407552

Four fastening brackets for rectangular GES service outlets in raised floors of underfloor boxes of type UDS. Clamping range up to 65 mm.

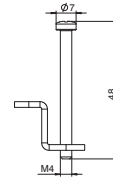


St

Universal fastening bracket type 2 for 4 fastening points

Type	Pack	Weight	Item no.
	PU	kg/100 PUs	
GESUB2 4	1	0.432	7407559

Four universal fastenings with folding clamping bracket for service outlets and junction box inserts of the generation -2 with four or eight system fastenings. Spare part.

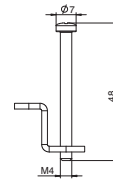


St

Universal fastening bracket type 2 for 6 fastening points

Type	Pack	Weight	Item no.
	PU	kg/100 PUs	
GESUB2 6	1	0.648	7407561

Six universal fastenings with folding clamping bracket for service outlets and junction box inserts of the generation -2 with six system fastenings. Spare part.



GES4M-2 service outlet with handle clamp



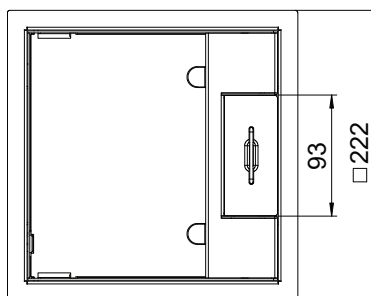
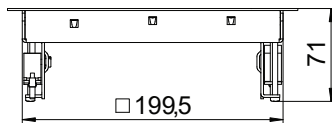
Service outlet with handle clamp for up to 6 individual Modul 45 devices in 2 UT3 universal supports, use in duct systems and system floors for indoor use.

Locking ladder made of galvanised sheet steel.

Service outlet with handle clamp, 2-compartment, for the installation of MT4 mounting support. Two type APMT2 cover plates can be installed.

Up to 4 installation devices with 50 mm central plate can be inserted.

Type	Material	Floor covering thickness mm	Pack Piece	Weight kg/100 pc.	Item no.
GES4M-2 10U	A2	10	1	260.000	7405191



GES6M-2 service outlet with handle clamp



Service outlet with handle clamp for up to 9 individual Modul 45 devices in 3 UT3 universal supports, use in trunking systems and system floors for indoor use.

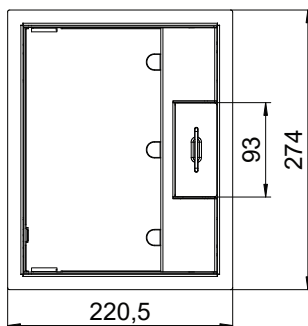
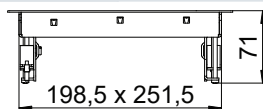
Locking ladder made of galvanised sheet steel.

Service outlet with handle clamp, 3-compartment, for the installation of MT6 mounting support.

Three type APMT2 cover plates can be installed.

Up to 6 installation devices with 50 mm central plate can be inserted.

Type	Material	Floor covering thickness mm	Pack Piece	Weight kg/100 pc.	Item no.
GES6M-2 10U	A2	10	1	320.000	7405299

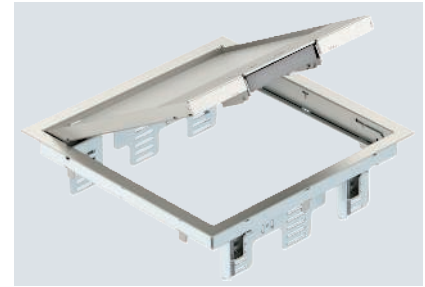
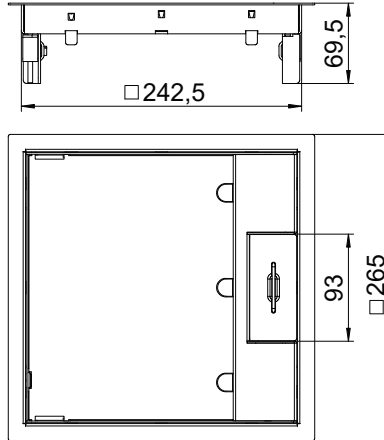


Service units for dry-cleaned floors, with handle clamp, rectangular

VA

GES9M-2 service outlet with handle clamp

Type	Material	Floor covering thickness mm	Pack Piece	Weight kg/100 pc.	Item no.
GES9M-2 10U	A2	10	1	360.000	7405371



Service outlet with handle clamp for up to 12 individual Modul 45 devices in 3 UT4 universal supports, use in duct systems and system floors for indoor use.

Locking ladder made of galvanised sheet steel
Service outlet with handle clamp, 3-compartment, for the installation of MT9 mounting support. 3 type APMT5 cover plates can be installed.

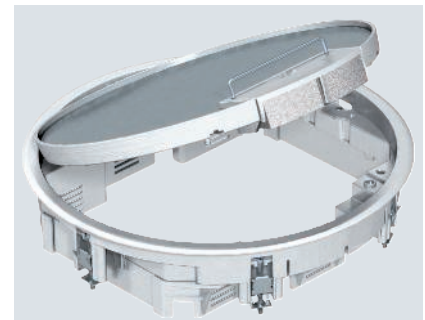
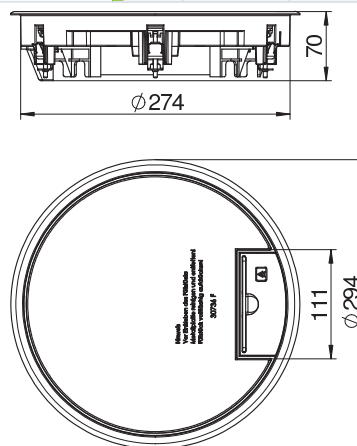
Up to 9 installation devices with 50 mm central plate can be inserted.

Service units for dry-cleaned floors, with handle clamp

AIG

GESRA7/10 service outlet with handle clamp

Type	Material	Floor covering thickness mm	Pack Piece	Weight kg/100 pc.	Item no.
GESRA7 10U	AIG	10	1	206.500	7405544



Service outlet with handle clamp for up to 10 individual Modul 45 devices in 2 UT3 and one UT4 universal support, use in duct systems and system floors for indoor use.

Cord outlet made from polyamide RAL 9011.
10 mm floor covering recess in hinged cover can be reduced to 5 mm using enclosed pressboard filler.

Up to 7 installation devices with 50 mm central plate can be inserted.



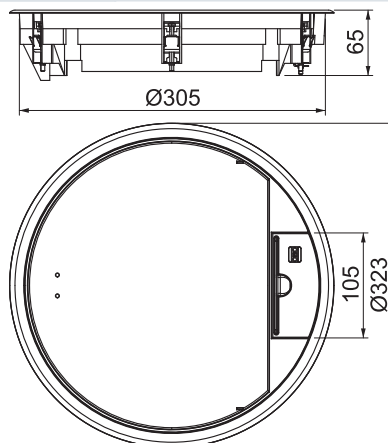
GESRA9/10 service outlet with handle clamp



Service outlet with handle clamp for up to 12 individual Modul 45 devices in 3 UT4 universal supports, use in duct systems and system floors for indoor use.

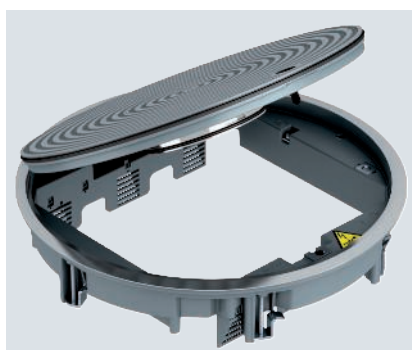
Service outlet with handle clamp, 3-compartment, for the installation of MT9 mounting support. Three type APMT5 cover plates can be installed. Up to 9 installation devices with 50 mm central plate can be inserted.

Type	Material	Floor covering thickness mm	Pack Piece	Weight kg/100 pc.	Item no.
GESRA9 10U	AIG	10	1	120.500	7405580



Service units for wet-cleaned floors

GRAF9 universal service outlet, wet-care with structured lid

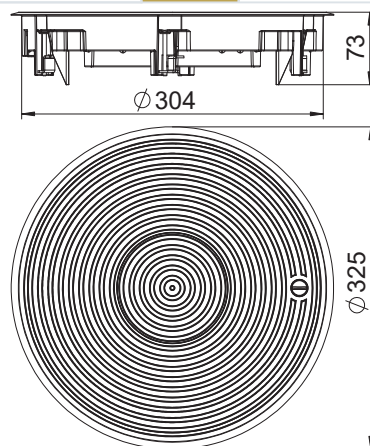


Service outlet with tube body for wet-cleaned floors for up to 12 individual Modul 45 devices in 3 UT4 universal supports, use in duct and trunking systems and system floors indoors.

Service outlet with tube body for wet cleaned floors, 3-compartment, for the installation of MT9 mounting support. Three type APMT5 cover plates can be installed.

Up to 9 installation devices can be used with a 50 mm central plate.

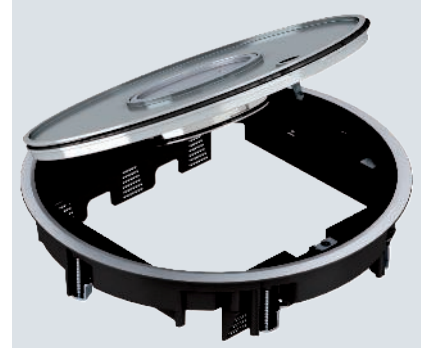
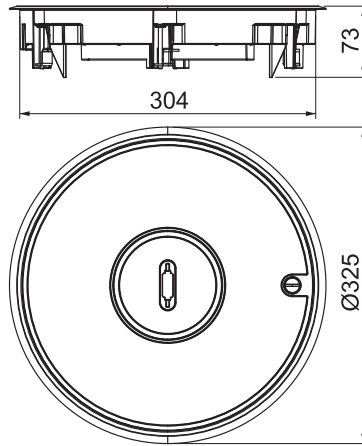
Type	Colour	Pack Piece	Weight kg/100 pc.	Item no.
GRAF9-2 U 7011	Iron grey	1	246.000	7405746
GRAF9-2 U 9011	Graphite black	1	246.000	7405750
GRAF9-2 U 1019	Grey-beige	1	246.000	7405754



AIG

Service outlet GRAF9-2 BA3

Type	Floor covering thickness mm	Pack Piece	Weight kg/100 pc.	Item no.
GRAF9-2 BA3	3	1	258.000	7405743



Service outlet with tube body for wet-cleaned floors for up to 12 individual Modul 45 devices in 3 UT4 universal supports, use in duct systems and system floors for indoor use.
 Aluminium surface, polished, with a floor covering recess of 3 mm. For an installation depth of 65 mm.
 Up to 9 installation devices can be used with a 50 mm central plate.



Height-adjustable cassettes

The compact, flush-floor cassettes provide power, data and multimedia connections in the smallest areas. The height-adjustable cassettes can be adjusted exactly to the top edge of the floor covering. The cassettes can be installed inside under-floor duct systems in a screed box or in system floors. They are fastened to the raw concrete using height-adjustment units.

- Can be used in UZD underfloor sockets and system floors
- Tube body variant suitable for wet cleaning
- High stability through height-adjustment units



- Suitable for high-quality floor coverings
- Cassettes with 20 and 25 mm floor covering recess
- Available in stainless steel and brass



Square height-adjustable cassettes

Installation principle

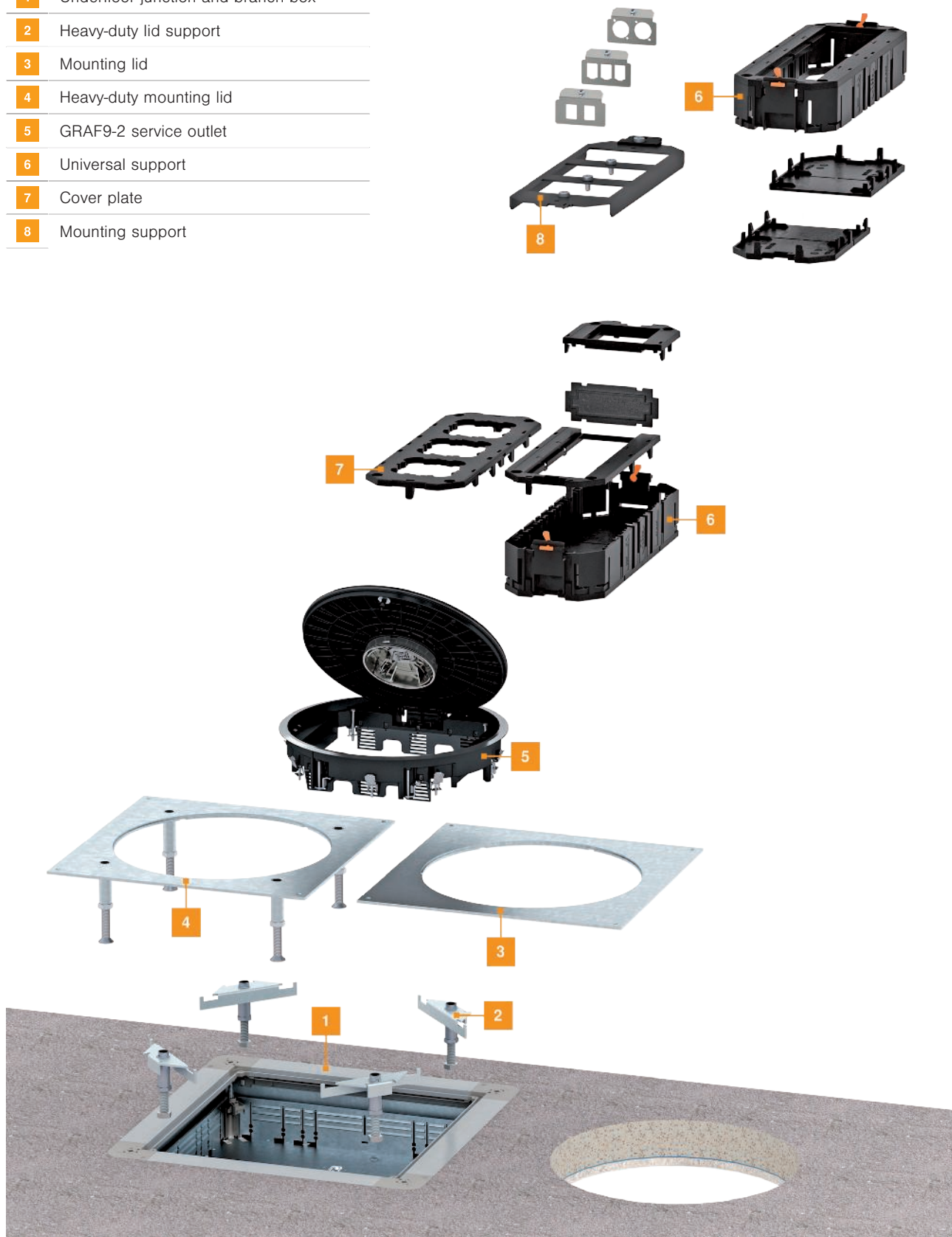
- 1 Height-adjustable square cassette with cord outlet
- 2 Height-adjustment bracket
- 3 Height-adjustable and decouplable square cassette
- 4 Cassette for tube body
- 5 Tube body
- 6 Cassette for inspection opening
- 7 Threaded sleeve



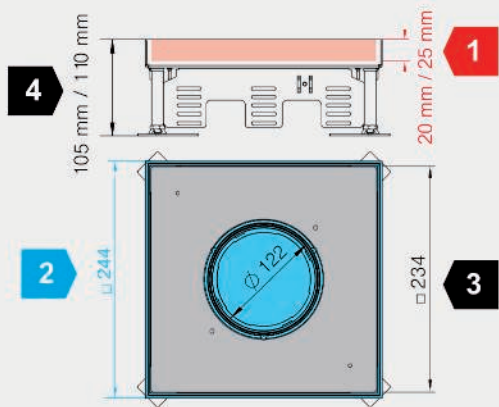
Wet-cleaned service outlets

Installation principle

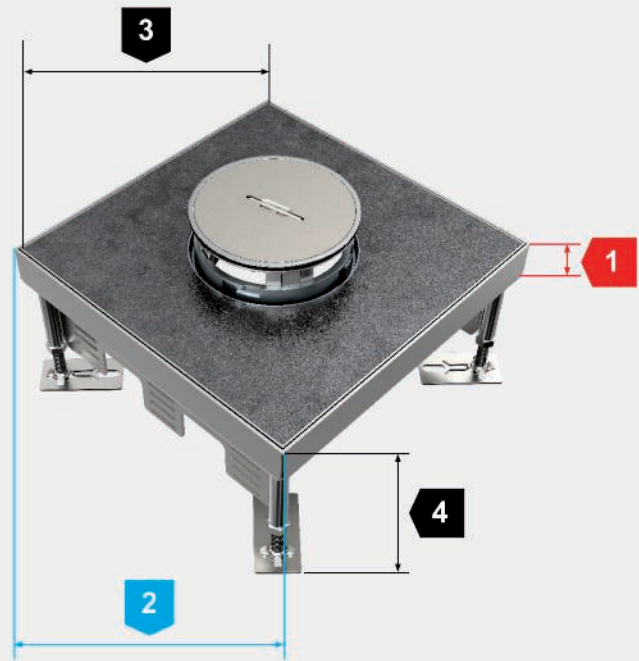
- 1 Underfloor junction and branch box
- 2 Heavy-duty lid support
- 3 Mounting lid
- 4 Heavy-duty mounting lid
- 5 GRAF9-2 service outlet
- 6 Universal support
- 7 Cover plate
- 8 Mounting support



Installation and floor cut-out dimensions



Various installation and floor cut-out dimensions must be taken into account for the mounting of height-adjustable cassettes and the application of floor coverings in the cassette lids.



1

Frame height for the floor covering in the lid (red dimensions)

The frame height data relates to the maximum floor covering thickness, including adhesive. The cassettes are available in various frame heights.

2

Floor cut-out for the installation of cassettes (blue dimensions)

The dimensions for the floor cut-out should be considered as target dimensions for correct installation of the cassette in the floor. They are only generally required for the floor cut-out in system floors. The EÜK screed-covered duct system and the OKA open trunking system offer prefabricated mounting lids with matching installation openings.

3

Internal dimension of the lid to determine the floor covering cut-out (black dimensions)

The dimension data relates to the internal dimension of the cassette lid and is used to calculate the floor covering cut out. Depending on the type of floor covering, appropriate reductions should be taken into account, e.g. for expansion gaps.

4

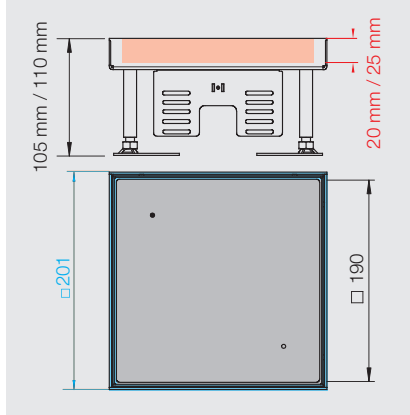
Minimum floor structure height (raw concrete ceiling to finished floor)

The dimension describes the minimum floor structure height from the raw concrete ceiling to the top edge of the finished floor. It guarantees correct installation and use of installation devices, such as sockets, data and multimedia connections.

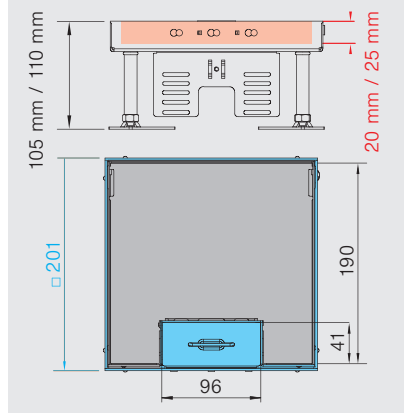




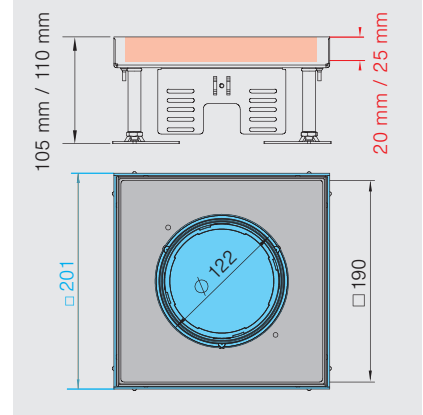
System dimensions, height-adjustable square cassettes



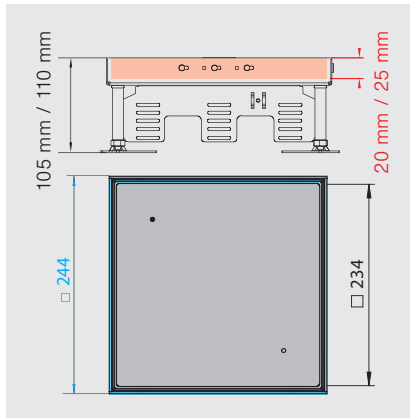
Nominal size 4, type RKN2



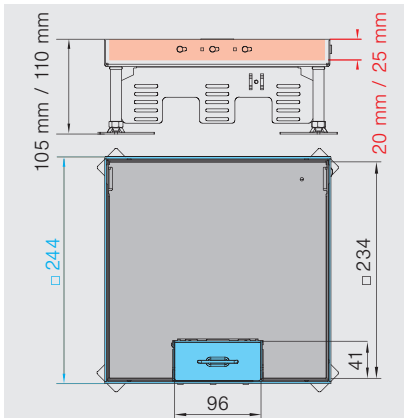
Nominal size 4, type RKSN2



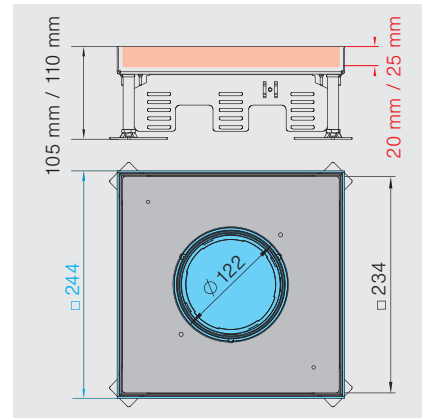
Nominal size 4, type RKFN 2



Nominal size 9, type RKN2

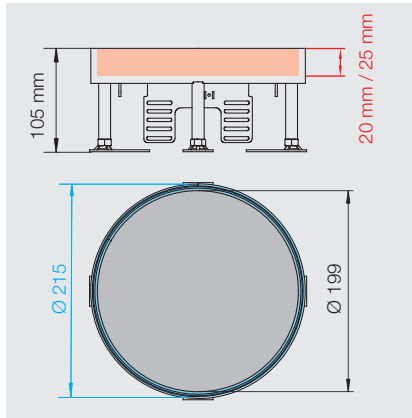


Nominal size 9, type RKSN2

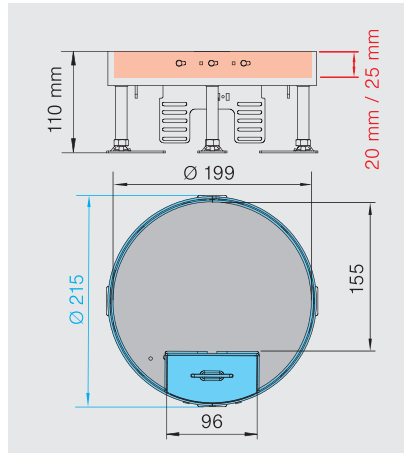


Nominal size 9, type RKFN 2

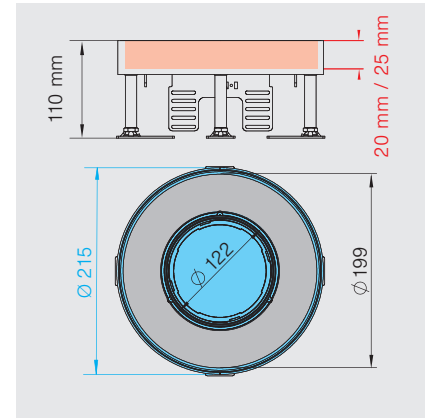
System dimensions, height-adjustable round cassettes



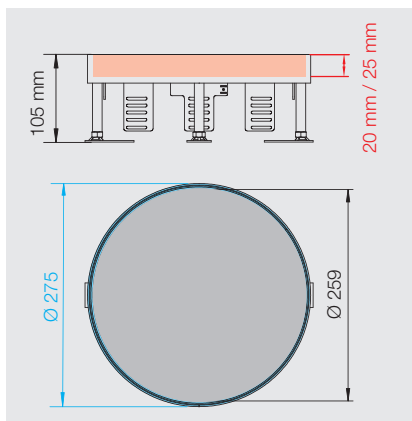
Nominal size R4, type RKR2 and RKR2



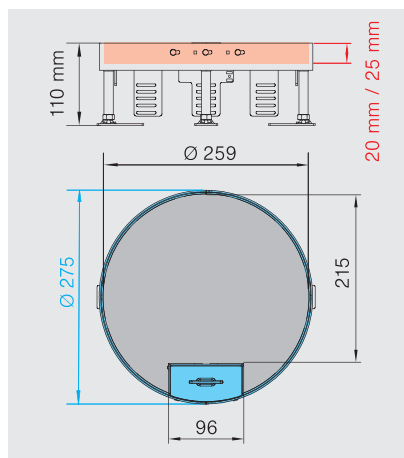
Nominal size R4, type RKS2 and RKS2



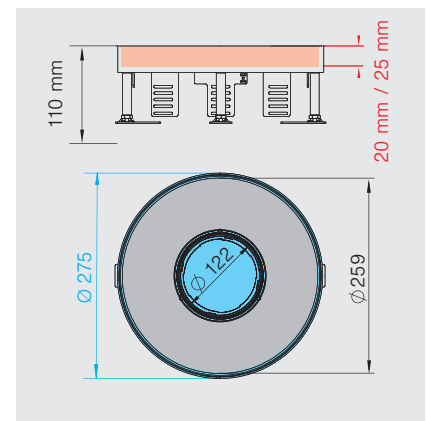
Nominal size R4, type RKFR2 and RKFR2



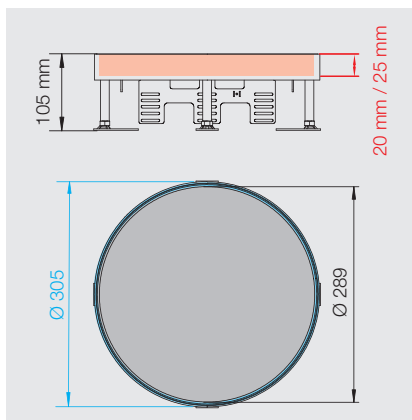
Nominal size R7, type RKR2 and RKR2



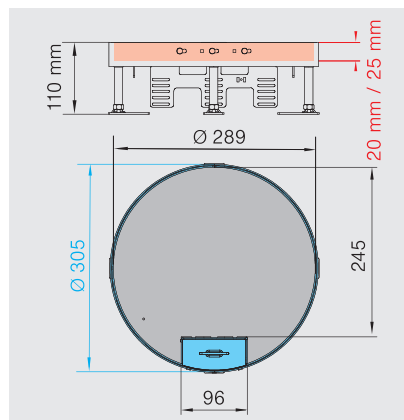
Nominal size R7, type RKS2 and RKS2



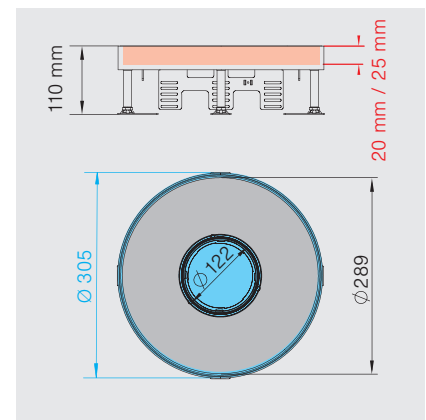
Nominal size R7, type RKFR2 and RKFR2



Nominal size R9, type RKR2 and RKR2



Nominal size R9, type RKS2 and RKS2



Nominal size R9, type RKFR2 and RKFR2



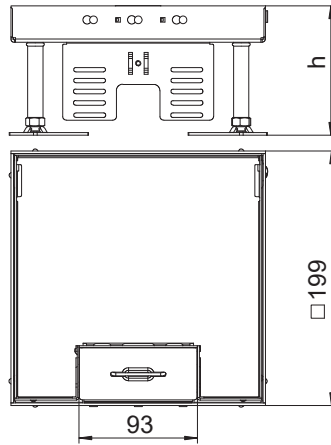
Height-adjustable cassette with cord outlet, RКСN, stainless steel



Height-adjustable cassette of nominal size 4 with cord outlet for installation of accessories in dry-cleaned floors for indoor use.

Height-adjustable cassette for cord outlet, 2-compartment. 2 APMT2 cover plates can be installed. For the installation of 2 UT3 universal supports for 4 individual installation devices with support ring/support clamp or 6 Modul 45 devices.

Type	Nominal size	Dim. h mm	Floor covering thickness mm	Floor height mm	Pack Piece	Weight kg/100 pc.	Item no.
RКСN2 4 VS 20	4	105	20	105-150	1	305.000	7409208
RКСN2 4 VS 25	4	110	25	110-155	1	318.000	7409210



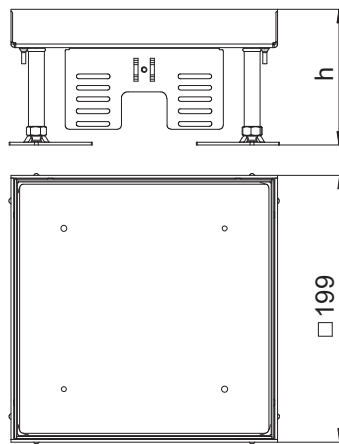
Height-adjustable cassette for inspection opening, RKN, stainless steel



Height-adjustable "blank" cassette for the creation of an inspection opening of nominal size 4 in dry or wet-care floors for indoor use. Only suitable for smooth floor coverings.

Height-adjustable cassette as a blind cassette, two-compartment. 2 APMT2 cover plates can be installed. For the installation of 2 UT3 universal supports for 4 individual installation devices with support ring/support clamp or 6 Modul 45 devices.

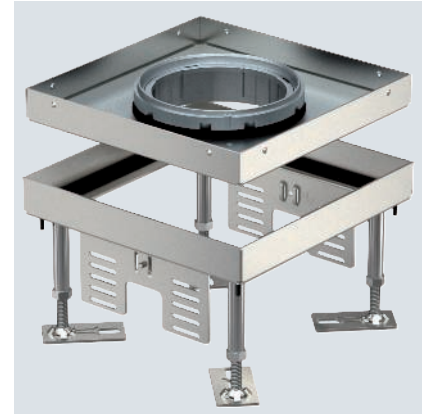
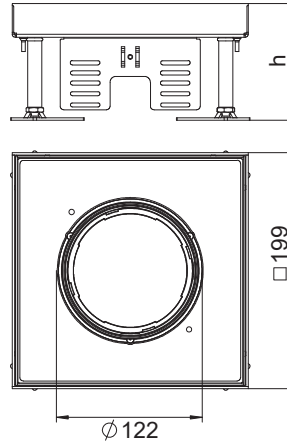
Type	Nominal size	Dim. h mm	Floor covering thickness mm	Floor height mm	Pack Piece	Weight kg/100 pc.	Item no.
RKN2 4 VS 20	4	100	20	100-150	1	341.000	7409014
RKN2 4 VS 25	4	105	25	105-155	1	384.000	7409016



VA

Height-adjustable cassette for tube body, RKFN, stainless steel

Type	Nominal size	Dim. h mm	Floor covering thickness mm	Floor height mm	Pack Piece	Weight kg/100 pc.	Item no.
RKFN2 4 VS 20	4	105	20	105-150	1	295.200	7409362
RKFN2 4 VS 25	4	110	25	110-155	1	441.000	7409364



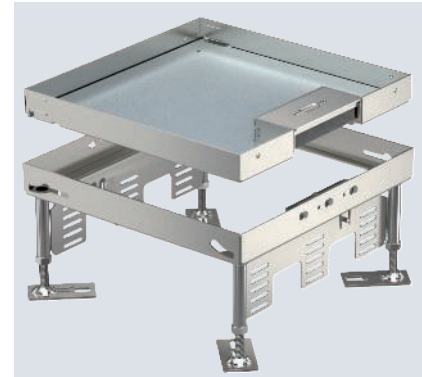
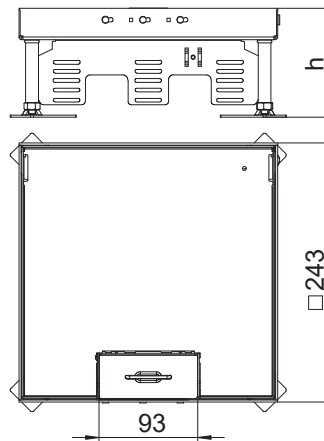
Height-adjustable cassette of nominal size 4 for tube body for installation of accessories in dry or wet-cleaned floors for indoor use .

Height-adjustable cassette for tube body, 2-compartment. 2 APMT2 cover plates can be installed. For the installation of 2 UT3 universal supports for 4 individual installation devices with support ring/support clamp or 6 Modul 45 devices.

VA

Height-adjustable cassette with cord outlet, RKS2, stainless steel

Type	Nominal size	Dim. h mm	Floor covering thickness mm	Floor height mm	Pack Piece	Weight kg/100 pc.	Item no.
RKS2 9 VS 20	9	105	20	105-150	1	430.000	7409218
RKS2 9 VS 25	9	110	25	110-155	1	444.000	7409220



Height-adjustable cassette of nominal size 9 with cord outlet for installation of accessories in dry-care floors for indoor use .

Height-adjustable cassette for cord outlet, 3-compartment. 3 APMT5 cover plates can be installed. For the installation of 3 UT4 universal supports for 9 individual installation devices with support ring/support clamp or 6 Modul 45 devices.



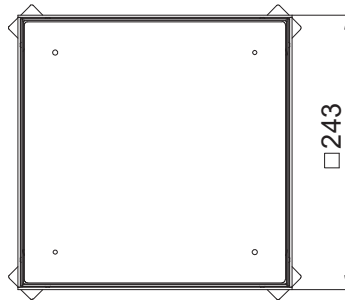
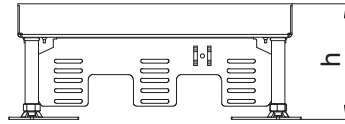
Height-adjustable cassette for inspection opening, RKN, stainless steel



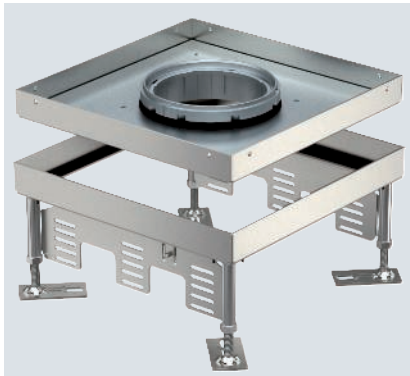
Height-adjustable "blank" cassette for the creation of an inspection opening of nominal size 9 in dry or wet-cleaned floors for indoor use. Only suitable for smooth floor coverings.

Height-adjustable cassette as a blind cassette, two-compartment. 3 APMT5 cover plates can be installed. For the installation of 3 UT4 universal supports for 9 individual installation devices with support ring/support clamp or 12 Modul 45 devices.

Type	Nominal size	Dim. h mm	Floor covering thickness mm	Floor height mm	Pack Piece	Weight kg/100 pc.	Item no.
RKN2 9 VS 20	9	100	20	100-150	1	440.000	7409044
RKN2 9 VS 25	9	105	25	105-155	1	451.000	7409046



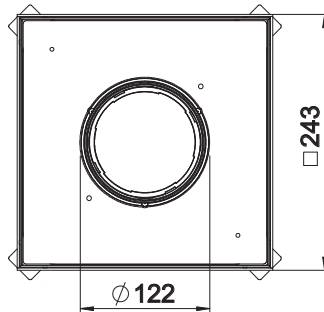
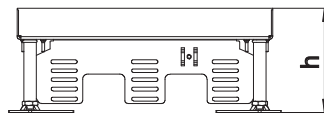
Height-adjustable cassette for tube body, RKFN, stainless steel



Height-adjustable cassette of nominal size 9 for tube body for installation of accessories in dry or wet-cleaned floors for indoor use .

Height-adjustable cassette for tube body, 3-compartment. 3 APMT5 cover plates can be installed. For the installation of 3 UT4 universal supports for 9 individual installation devices with support ring/support clamp or 12 Modul 45 devices.

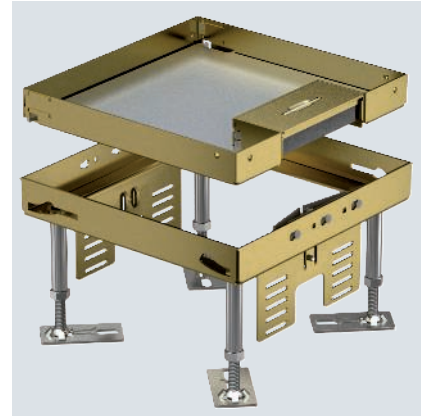
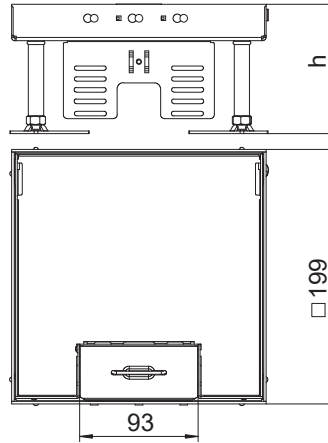
Type	Nominal size	Dim. h mm	Floor covering thickness mm	Floor height mm	Pack Piece	Weight kg/100 pc.	Item no.
RKFN2 9 VS 20	9	105	20	105-150	1	407.100	7409368
RKFN2 9 VS 25	9	110	25	110-155	1	501.000	7409370



CuZn
37

Height-adjustable cassette with cord outlet, RКСN, brass

Type	Nominal size	Dim. h mm	Floor covering thickness mm	Floor height mm	Pack Piece	Weight kg/100 pc.	Item no.
RКСN2 4 MS 25	4	110	25	110-155	1	328.000	7409204



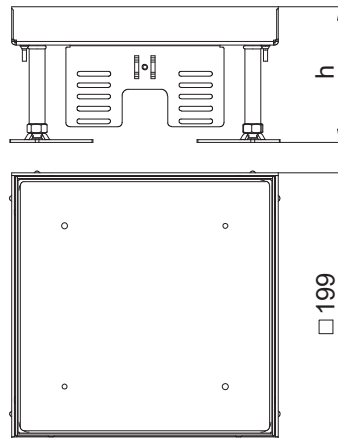
Height-adjustable cassette of nominal size 4 with cord outlet for installation of accessories in dry-care floors for indoor use.

Height-adjustable cassette for cord outlet, 2-compartment. 2 APMT2 cover plates can be installed. For the installation of 2 UT3 universal supports for 4 individual installation devices with support ring/support clamp or 6 Modul 45 devices.

CuZn
37

Height-adjustable cassette for inspection opening, RKN, brass

Type	Nominal size	Dim. h mm	Floor covering thickness mm	Floor height mm	Pack Piece	Weight kg/100 pc.	Item no.
RKN2 4 MS 25	4	105	25	105-155	1	456.000	7409004

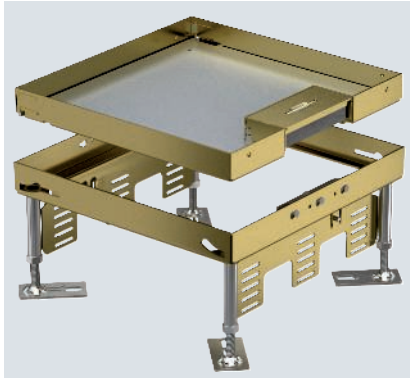


Height-adjustable "blank" cassette for the creation of an inspection opening of nominal size 4 in dry or wet-care floors for indoor use. Only suitable for smooth floor coverings.

Height-adjustable cassette as a blind cassette, two-compartment. 2 APMT2 cover plates can be installed. For the installation of 2 UT3 universal supports for 4 individual installation devices with support ring/support clamp or 6 Modul 45 devices.



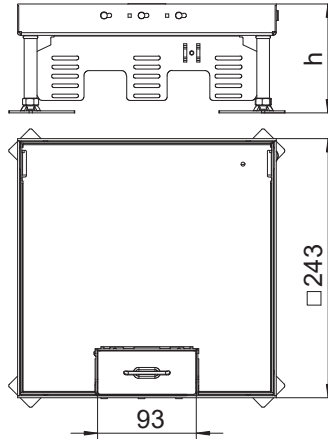
Height-adjustable cassette with cord outlet, RКСN, brass



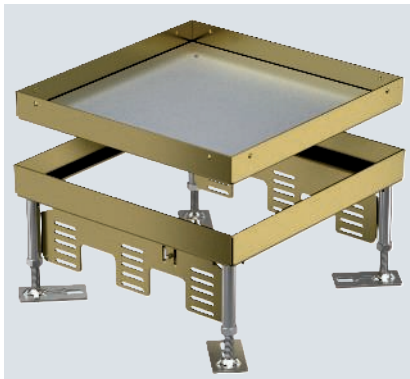
Height-adjustable cassette of nominal size 9 with cord outlet, for the installation of accessories in dry-cleaned floors indoors.

Height-adjustable cassette for cord outlet, 3-compartment. 3 APMT5 cover plates can be installed. For the installation of 3 UT4 universal supports for 9 individual installation devices with support ring/support clamp or 6 Modul 45 devices.

Type	Nominal size	Dim. h mm	Floor covering thickness mm	Floor height mm	Pack Piece	Weight kg/100 pc.	Item no.
RКСN2 9 MS 25	9	110	25	110-155	1	619.000	7409214



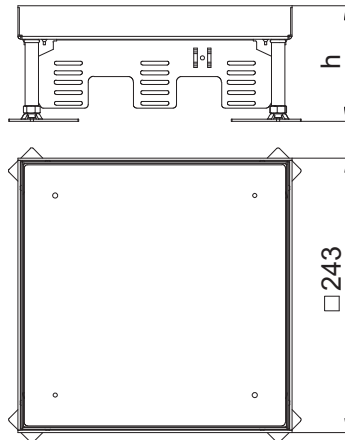
Height-adjustable cassette for inspection opening, RKN, brass



Height-adjustable "blank" cassette for the creation of an inspection opening of nominal size 9 in dry or wet-cleaned floors for indoor use. Only suitable for smooth floor coverings.

Height-adjustable cassette as a blind cassette, two-compartment. 3 APMT5 cover plates can be installed. For the installation of 3 UT4 universal supports for 9 individual installation devices with support ring/support clamp or 12 Modul 45 devices.

Type	Nominal size	Dim. h mm	Floor covering thickness mm	Floor height mm	Pack Piece	Weight kg/100 pc.	Item no.
RKN2 9 MS 25	9	105	25	105-155	1	596.000	7409024



Height-adjustable round cassettes

Installation principle

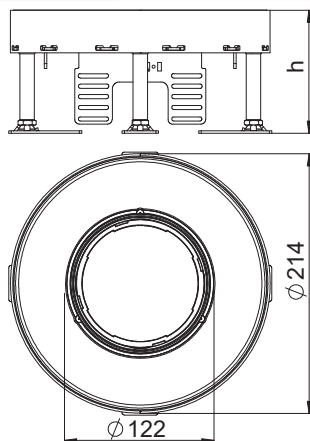
- 1 Height-adjustable round cassette with cord outlet
- 2 Height-adjustment bracket
- 3 Height-adjustable and decouplable round cassette
- 4 Cassette for tube body
- 5 Tube body
- 6 Cassette for inspection opening
- 7 Threaded sleeve



Height-adjustable cassette for tube body, RKFR, stainless steel



Type	Nominal size	Dim. h mm	Floor covering thickness mm	Floor height mm	Pack Piece	Weight kg/100 pc.	Item no.
RKFR2 4 V20	R4	110	20	110-155	1	220.000	7409422
RKFR2 4 V25	R4	110	25	110-155	1	220.000	7409424



Height-adjustable cassette of nominal size R4 for tube body for installation of accessories in dry or wet-cleaned floors for indoor use.

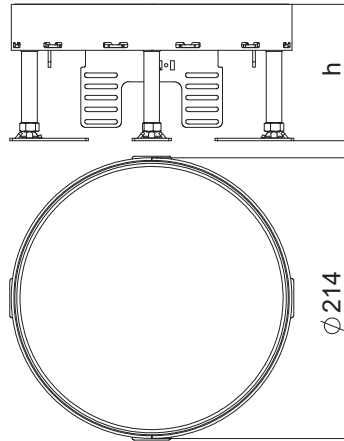
Height-adjustable cassette for tube body, 2-compartment. 2 APMT2 cover plates can be installed. For the installation of 2 UT3 universal supports for 4 individual installation devices with support ring/support clamp or 6 Modul 45 devices.



VA

Height-adjustable cassette for R4, RKR, stainless steel

Type	Nominal size	Dim. h mm	Floor covering thickness mm	Floor height mm	Pack Piece	Weight kg/100 pc.	Item no.
RKR2 4V 20	R4	105	20	105-155	1	354.000	7409088
RKR2 4V 25	R4	105	25	105-155	1	376.000	7409090



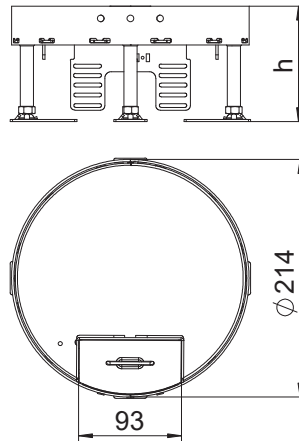
Height-adjustable "blank" cassette for the creation of an inspection opening of nominal size R4 in dry or wet-care floors for indoor use. Only suitable for smooth floor coverings.

Height-adjustable cassette as a blind cassette, two-compartment. 2 APMT2 cover plates can be installed. For the installation of 2 UT3 universal supports for 4 individual installation devices with support ring/support clamp or 6 Modul 45 devices.

VA

Height-adjustable cassette with cord outlet, RKSr, stainless steel

Type	Nominal size	Dim. h mm	Floor covering thickness mm	Floor height mm	Pack Piece	Weight kg/100 pc.	Item no.
RKS2 R4 V20	R4	110	20	110-155	1	233.000	7409258
RKS2 R4 V25	R4	110	25	110-155	1	233.000	7409260



Height-adjustable cassette of nominal size R4 with cord outlet for installation of accessories in dry-care floors for indoor use.

Height-adjustable cassette for cord outlet, 2-compartment. 2 APMT2 cover plates can be installed. For the installation of 2 UT3 universal supports for 4 individual installation devices with support ring/support clamp or 6 Modul 45 devices.



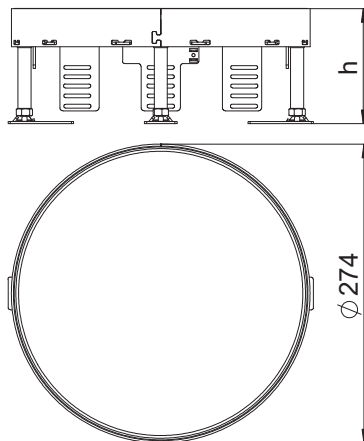
Height-adjustable cassette for inspection opening, RKR, stainless steel



Height-adjustable "blank" cassette for the creation of an inspection opening of nominal size R7 in dry or wet-cleaned floors for indoor use. Only suitable for smooth floor coverings.

Height-adjustable cassette as a blind cassette, 3-compartment. Two APMT2 cover plates and one APMT5 cover plate can be installed. For the installation of 2 UT3 universal supports and one UT4 universal support for 7 individual installation devices with support ring/support clamp or 10 Modul 45 devices.

Type	Nominal size	Dim. h mm	Floor covering thickness mm	Floor height mm	Pack Piece	Weight kg/100 pc.	Item no.
RKR2 7V 25	R7	105	25	105-155	1	572.000	7409110



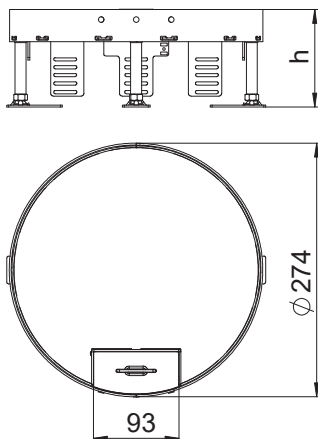
Height-adjustable cassette with cord outlet, RKSR, stainless steel



Height-adjustable cassette of nominal size R7 with cord outlet for installation of accessories in dry-care floors for indoor use.

Height-adjustable cassette for cord outlet, 3-compartment. 2 APMT2 cover plates and 1 APMT5 cover plate can be installed. For the installation of 2 UT3 universal supports and one UT4 universal support for 7 individual installation devices with support ring/support clamp or 10 Modul 45 devices.

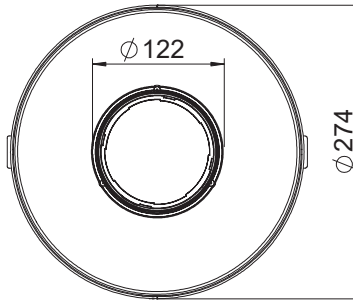
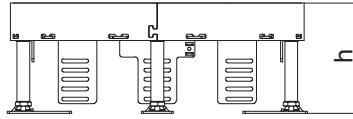
Type	Nominal size	Dim. h mm	Floor covering thickness mm	Floor height mm	Pack Piece	Weight kg/100 pc.	Item no.
RKS2 R7 V25	R7	110	25	110-155	1	340.000	7409270



VA

Height-adjustable cassette for tube body, RKFR, stainless steel

Type	Nominal size	Dim. h mm	Floor covering thickness mm	Floor height mm	Pack Piece	Weight kg/100 pc.	Item no.
RKFR2 7 V25	R7	110	25	110-155	1	325.000	7409428



Height-adjustable cassette of nominal size R7 for tube body for installation of accessories in dry or wet-cleaned floors for indoor use.

Height-adjustable cassette for tube body, 3-compartment. 2 APMT2 cover plates and 1 APMT5 cover plate can be installed. For the installation of 2 UT3 universal supports and one UT4 universal support for 7 individual installation devices with support ring/support clamp or 10 Modul 45 devices.



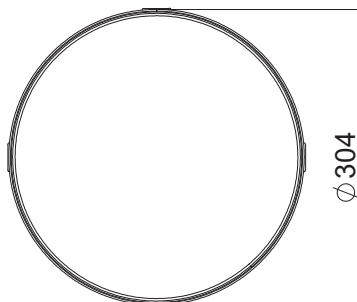
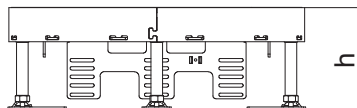
Height-adjustable cassette for inspection opening, RKR, stainless steel



Height-adjustable "blank" cassette for the creation of an inspection opening of nominal size R9 in dry or wet-cleaned floors for indoor use. Only suitable for smooth floor coverings.

Height-adjustable cassette as a blind cassette, 3-compartment. 3 APMT5 cover plates can be installed. For the installation of 3 UT4 universal supports for 9 individual installation devices with support ring/support clamp or 12 Modul 45 devices.

Type	Nominal size	Dim. h mm	Floor covering thickness mm	Floor height mm	Pack Piece	Weight kg/100 pc.	Item no.
RKR2 9V 20	R9	105	20	105-155	1	453.000	7409128
RKR2 9V 25	R9	105	25	105-155	1	750.000	7409130



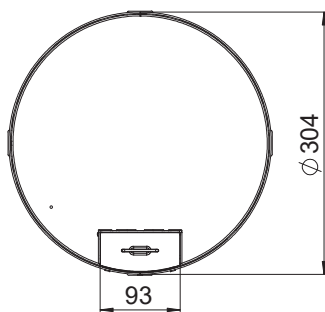
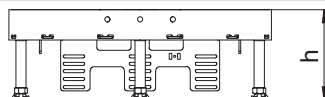
Height-adjustable cassette with cord outlet, RKS, stainless steel



Height-adjustable cassette of nominal size R9 with cord outlet for installation of accessories in dry-care floors for indoor use.

Height-adjustable cassette for cord outlet, 3-compartment. 3 APMT5 cover plates can be installed. For the installation of 3 UT4 universal supports for 9 individual installation devices with support ring/support clamp or 12 Modul 45 devices.

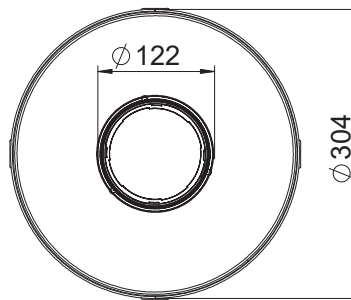
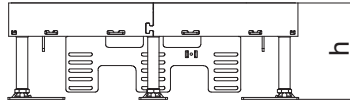
Type	Nominal size	Dim. h mm	Floor covering thickness mm	Floor height mm	Pack Piece	Weight kg/100 pc.	Item no.
RKS2 R9 V20	R9	110	20	110-155	1	420.000	7409278
RKS2 R9 V25	R9	110	25	110-155	1	420.000	7409280



VA

Height-adjustable cassette for tube body, RKFR, stainless steel

Type	Nominal size	Dim. h mm	Floor covering thickness mm	Floor height mm	Pack Piece	Weight kg/100 pc.	Item no.
RKFR2 9 V20	R9	110	20	110-155	1	380.000	7409430
RKFR2 9 V25	R9	110	25	110-155	1	380.000	7409432

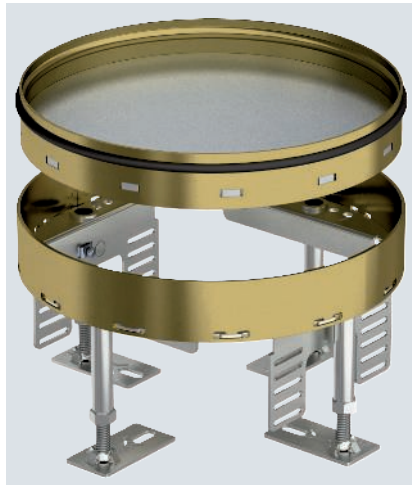


Height-adjustable cassette of nominal size R9 for tube body for installation of accessories in dry or wet-cleaned floors for indoor use.

Height-adjustable cassette for tube body, 3-compartment. 3 APMT5 cover plates can be installed. For the installation of 3 UT4 universal supports for 9 individual installation devices with support ring/support clamp or 12 Modul 45 devices.



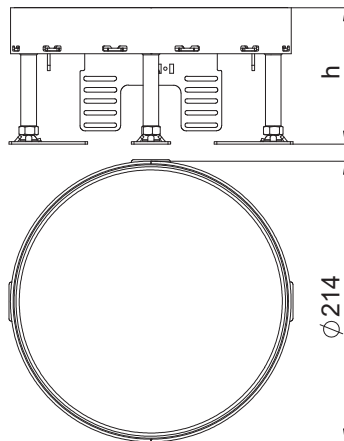
Height-adjustable cassette for inspection opening, RKR, brass



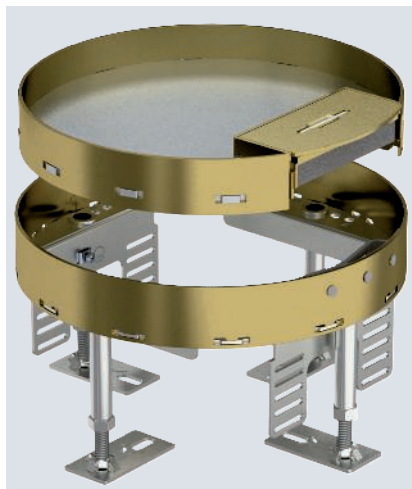
Height-adjustable "blank" cassette for the creation of an inspection opening of nominal size R4 in dry or wet-care floors for indoor use. Only suitable for smooth floor coverings.

Height-adjustable cassette as a blind cassette, two-compartment. 2 APMT2 cover plates can be installed. For the installation of 2 UT3 universal supports for 4 individual installation devices with support ring/support clamp or 6 Modul 45 devices.

Type	Nominal size	Dim. h mm	Floor covering thickness mm	Floor height mm	Pack Piece	Weight kg/100 pc.	Item no.
RKR2 4M 25	R4	105	25	105-155	1	410.000	7409084



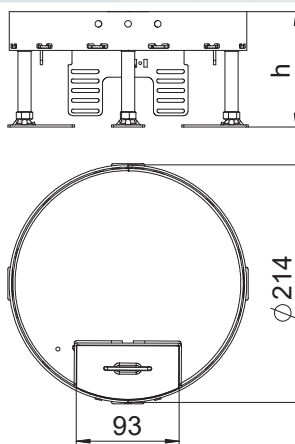
Height-adjustable cassette with cord outlet, RKSR, brass



Height-adjustable cassette of nominal size R4 with cord outlet for installation of accessories in dry-care floors for indoor use.

Height-adjustable cassette for cord outlet, 2-compartment. 2 APMT2 cover plates can be installed. For the installation of 2 UT3 universal supports for 4 individual installation devices with support ring/support clamp or 6 Modul 45 devices.

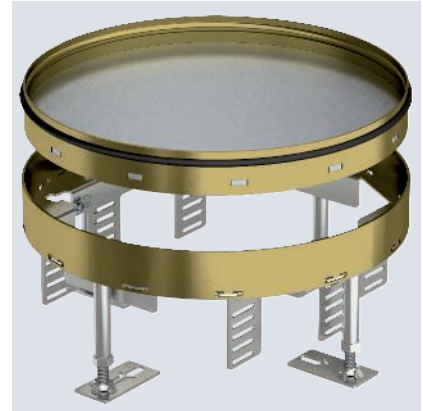
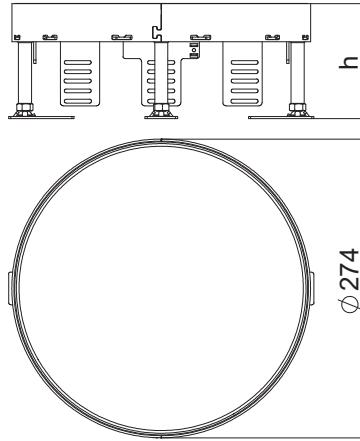
Type	Nominal size	Dim. h mm	Floor covering thickness mm	Floor height mm	Pack Piece	Weight kg/100 pc.	Item no.
RKS2 R4 M25	R4	110	25	110-155	1	233.000	7409254



CuZn
37

Height-adjustable cassette for inspection opening, RKR, brass

Type	Nominal size	Dim. h mm	Floor covering thickness mm	Floor height mm	Pack Piece	Weight kg/100 pc.	Item no.
RKR2 7M 25	R7	105	25	105-155	1	691.000	7409104



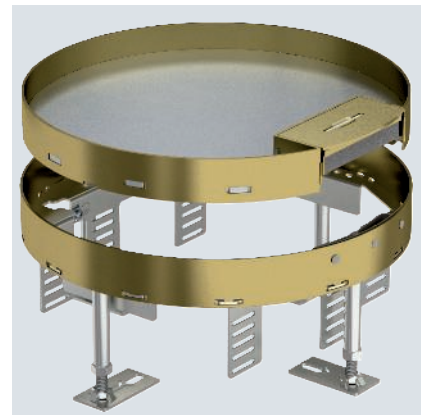
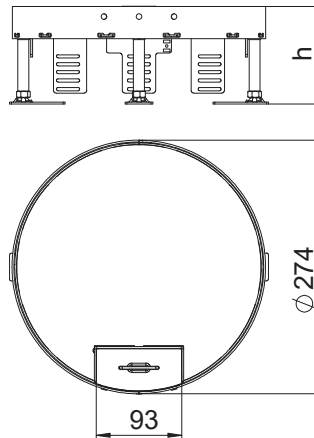
Height-adjustable "blank" cassette for the creation of an inspection opening of nominal size R7 in dry or wet-cleaned floors for indoor use. Only suitable for smooth floor coverings.

Height-adjustable cassette as a blind cassette, 3-compartment. 2 APMT2 cover plates and 1 APMT5 cover plate can be installed. For the installation of 2 UT4 universal supports and one UT3 universal support for 7 individual installation devices with support ring/support clamp or 10 Modul 45 devices.

CuZn
37

Height-adjustable cassette with cord outlet, RKSR, brass

Type	Nominal size	Dim. h mm	Floor covering thickness mm	Floor height mm	Pack Piece	Weight kg/100 pc.	Item no.
RKS2 R7 M25	R7	110	25	110-155	1	350.000	7409264

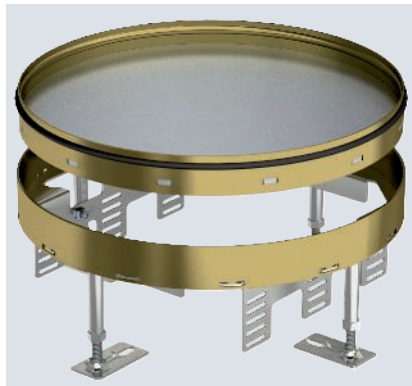


Height-adjustable cassette of nominal size R7 with cord outlet for installation of accessories in dry-care floors for indoor use.

Height-adjustable cassette for cord outlet, 3-compartment. 2 APMT2 cover plates and 1 APMT5 cover plate can be installed. For the installation of 2 UT3 universal supports and one UT4 universal support for 7 individual installation devices with support ring/support clamp or 10 Modul 45 devices.



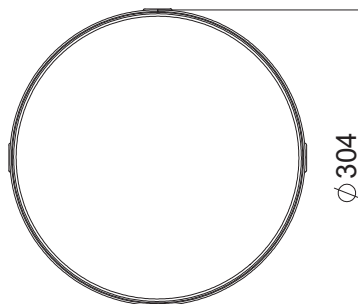
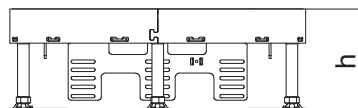
Height-adjustable cassette for inspection opening, RKR, brass



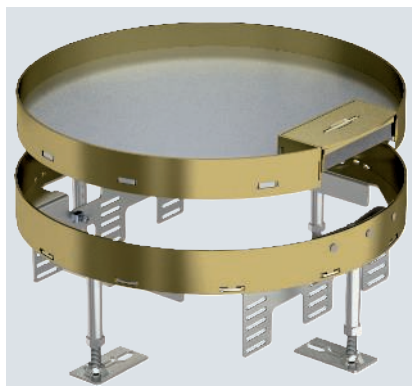
Height-adjustable "blank" cassette for the creation of an inspection opening of nominal size R9 in dry or wet-cleaned floors for indoor use. Only suitable for smooth floor coverings.

Height-adjustable cassette as a blind cassette, 3-compartment. 3 APMT5 cover plates can be installed. For the installation of 3 UT4 universal supports for 9 individual installation devices with support ring/support clamp or 12 Modul 45 devices.

Type	Nominal size	Dim. h mm	Floor covering thickness mm	Floor height mm	Pack Piece	Weight kg/100 pc.	Item no.
RKR2 9M 25	R9	105	25	105-155	1	796.000	7409124



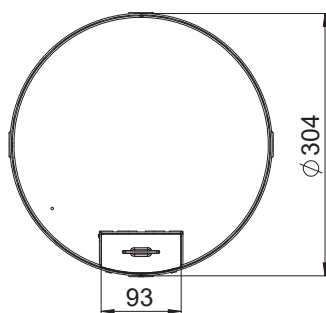
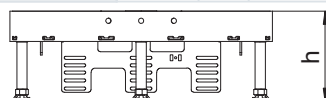
Height-adjustable cassette with cord outlet, RKS2, brass

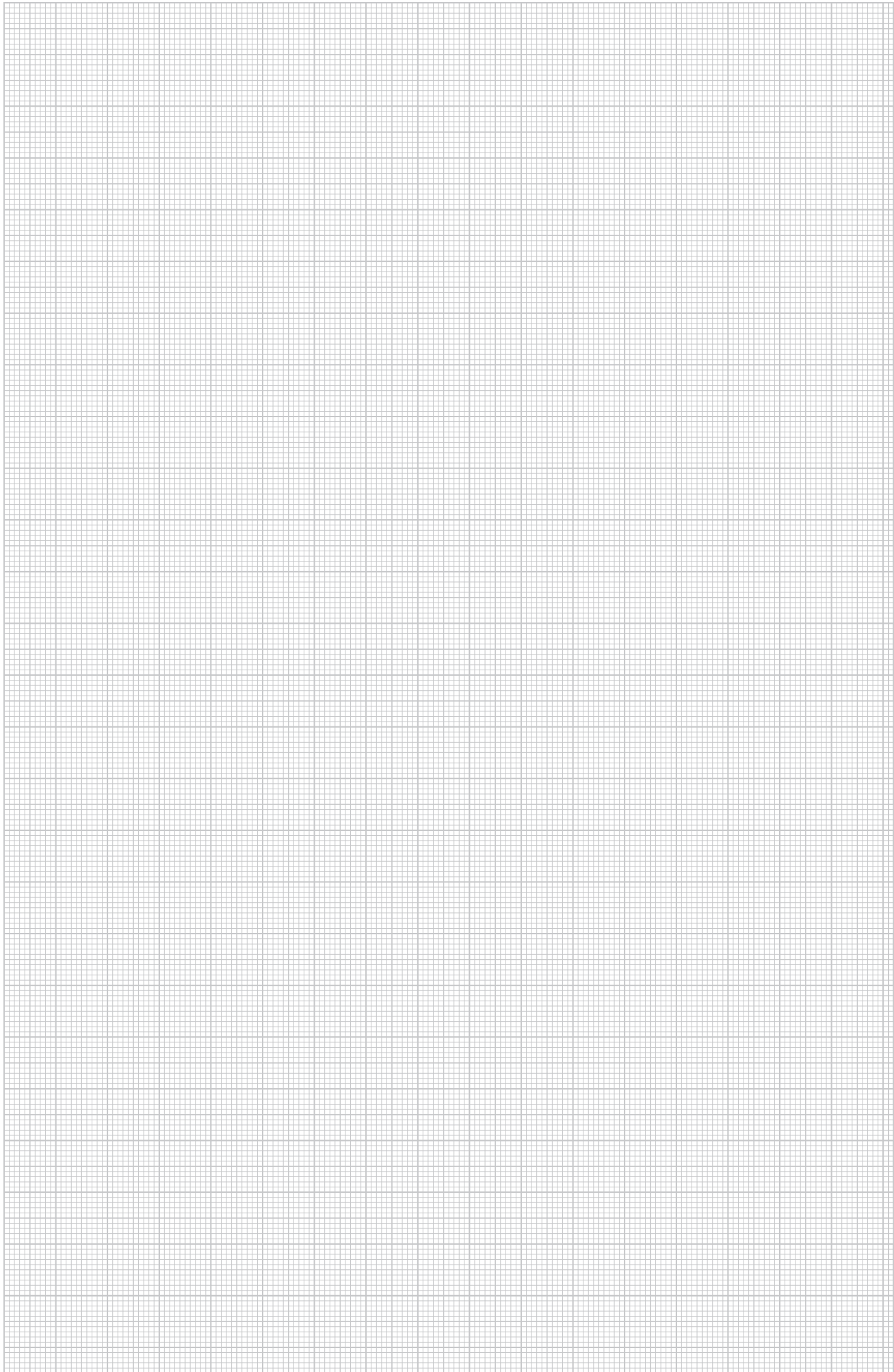


Height-adjustable cassette of nominal size R9 with cord outlet for installation of accessories in dry-care floors for indoor use.

Height-adjustable cassette for cord outlet, 3-compartment. 3 APMT5 cover plates can be installed. For the installation of 3 UT4 universal supports for 9 individual installation devices with support ring/support clamp or 12 Modul 45 devices.

Type	Nominal size	Dim. h mm	Floor covering thickness mm	Floor height mm	Pack Piece	Weight kg/100 pc.	Item no.
RKS2 R9 M25	R9	110	25	110-155	1	430.000	7409274

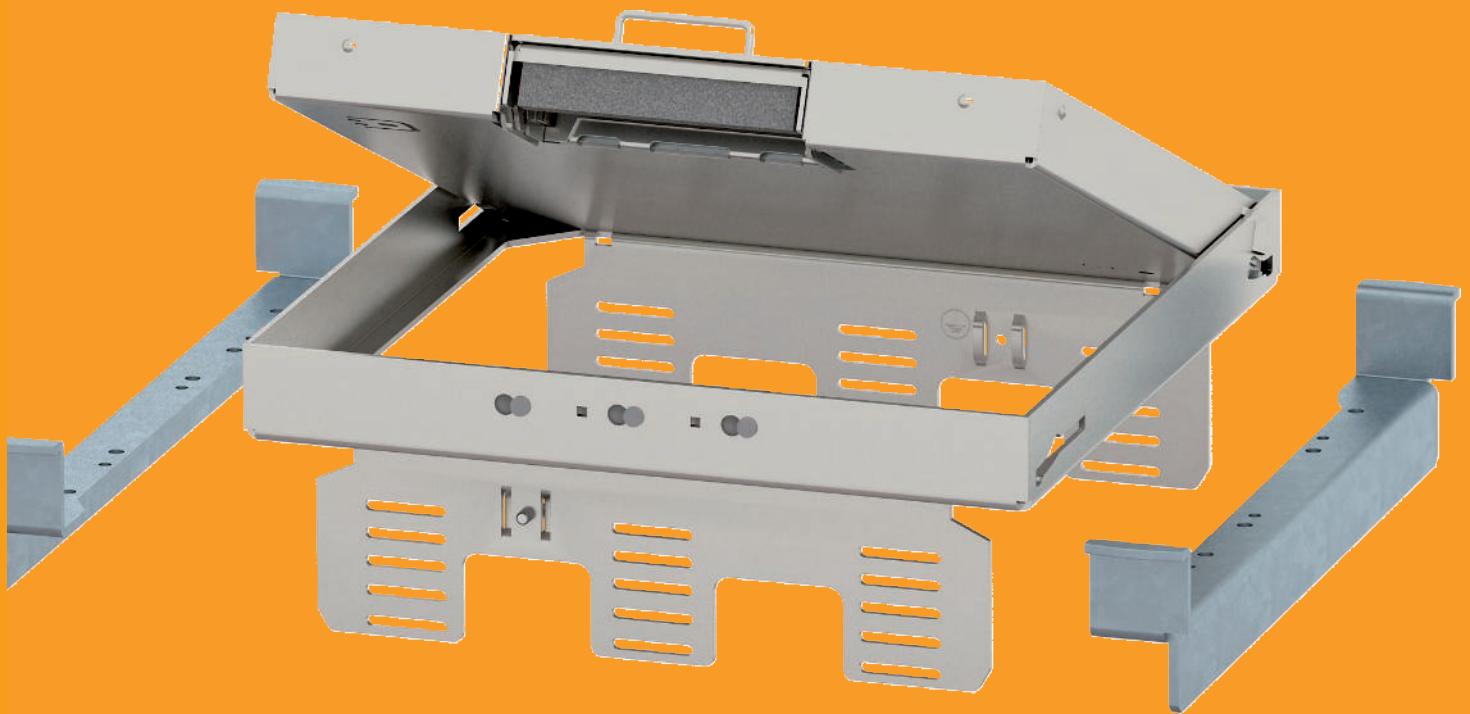




Height-adjustable, decouplable cassettes

The compact, flush-floor cassettes offer power, data and multimedia connections in the smallest areas. The height-adjustable, decouplable cassettes are not fixed on the raw concrete, but are fixed in underfloor sockets using height-adjustment brackets. The height-adjustment brackets are located on the top socket frame of the underfloor socket and are adjusted to the top edge of the finished floor. This prevents the transmission of footfall sound.

- Decouplable, no transmission of footfall sound
- Tube body variant suitable for wet cleaning
- Suitable for installation in underfloor sockets and system floors

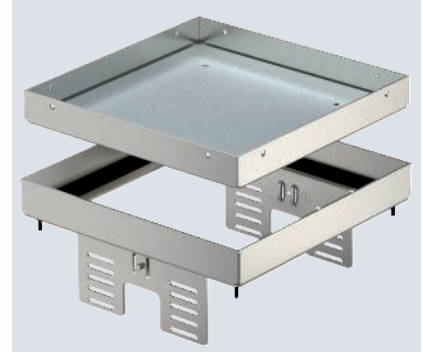
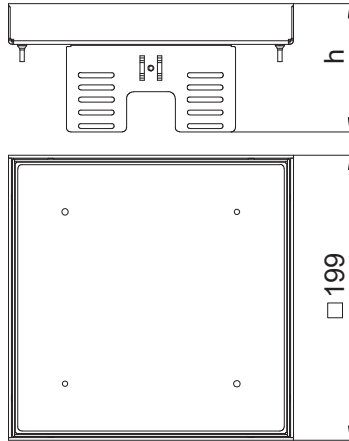


- Suitable for high-quality floor coverings
- Cassettes with 20 and 25 mm floor covering recess
- Available in stainless steel and brass

VA

Height-adjustable, decouplable cassette for inspection opening, RKNUZD3, stainless steel

Type	Nominal size	Dim. h mm	Floor covering thickness mm	Pack Piece	Weight kg/100 pc.	Item no.
RKN2 UZD3 4VS20	4	90	20	1	217.000	7409058
RKN2 UZD3 4VS25	4	95	25	1	222.000	7409060



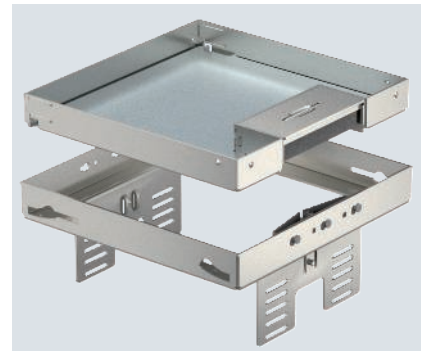
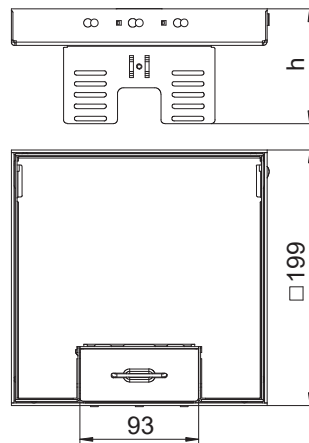
Height-adjustable "blank" cassette, decoupled from the floor, for the creation of an inspection opening of nominal size 4 in dry or wet-cleaned floors for indoor use, for mounting in underfloor boxes UZD250-3 or UZD350-3, either in conjunction with a blanking lid DUG../4 or in UGD250-3/4 or UGD350-3/4. Mounting takes place using levelling profiles (order separately) in the aluminium frame profile of the underfloor boxes. Only suitable for smooth floor coverings.

Height-adjustable cassette as a blind cassette, two-compartment 2. APMT2 cover plates can be installed. For the installation of 2 UT3 universal supports for 4 individual installation devices with support ring/support clamp or 6 Modul 45 devices.

VA

Height-adjustable, decouplable cassette with cord outlet, RKSNUZD3, stainless steel

Type	Nominal size	Dim. h mm	Floor covering thickness mm	Pack Piece	Weight kg/100 pc.	Item no.
RKSN2 UZD3 4VS20	4	90	20	1	274.000	7409228
RKSN2 UZD3 4VS25	4	95	25	1	286.000	7409230

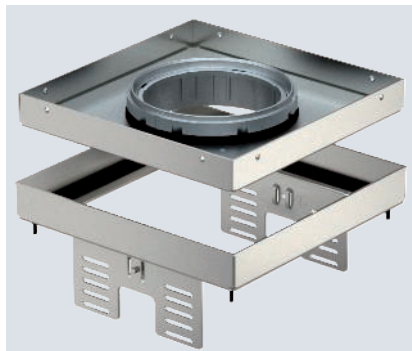


Height-adjustable cassette, decoupled from the floor, of nominal size 4, with cord outlet, for the installation of accessories in dry-cleaned floors indoors, for mounting in underfloor boxes UZD250-3 or UZD350-3, either in conjunction with a mounting cover DUG../4 or in UGD250-3/4 or UGD350-3/4. Mounting takes place using height-adjustment brackets (order separately) in the aluminium frame profile of the underfloor boxes.

Height-adjustable cassette for cord outlet, 2-compartment. 2 APMT2 cover plates can be installed. For the installation of 2 UT3 universal supports for 4 individual installation devices with support ring/support clamp or 6 Modul 45 devices.



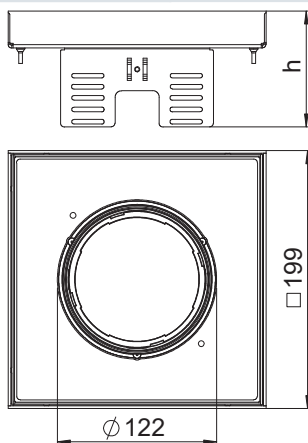
Height-adjustable, decouplable cassette for tube body, RKFNUZD3, stainless steel



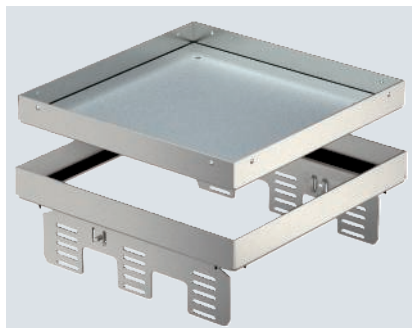
Height-adjustable cassette, decoupled from the floor, of nominal size 4, for tube bodies, for the installation of accessories in dry or wet-cleaned floors for indoor use, for mounting in underfloor boxes UZD250-3 or UZD350-3, either in conjunction with a mounting lid DUG../4 or in UGD250-3/4 or UGD350-3/4. Mounting takes place using height adjustment brackets (order separately) in the aluminium frame profile of the underfloor boxes.

Height-adjustable cassette for tube body, 2-compartment. 2 APMT2 cover plates can be installed. For the installation of 2 UT3 universal supports for 4 individual installation devices with support ring/support clamp or 6 Modul 45 devices.

Type	Nominal size	Dim. h mm	Floor covering thickness mm	Pack Piece	Weight kg/100 pc.	Item no.
RKFN2 UZD3 4VS20	4	90	20	1	197.000	7409372
RKFN2 UZD3 4VS25	4	95	25	1	202.000	7409374



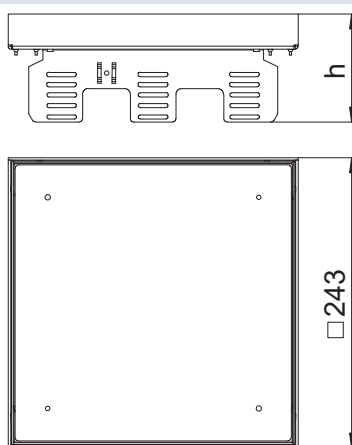
Height-adjustable, decouplable cassette for inspection opening, RKNUZD3, stainless steel



Height-adjustable "blank" cassette, decoupled from the floor, for the creation of an inspection opening of nominal size 9 in dry or wet-cleaned floors for indoor use, for mounting in underfloor boxes UZD250-3 or UZD350-3, either in conjunction with a blanking lid DUG../9 or in UGD250-3/9 or UGD350-3/9. Mounting takes place using levelling profiles (order separately) in the aluminium frame profile of the underfloor boxes. Only suitable for smooth floor coverings.

Height-adjustable cassette as a blind cassette, 3-compartment. 3 APMT5 cover plates can be installed. For the installation of 3 UT4 universal supports for 9 individual installation devices with support ring/support clamp or 12 Modul 45 devices.

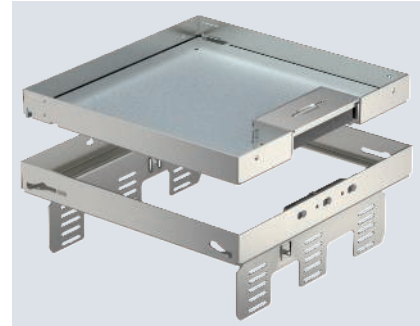
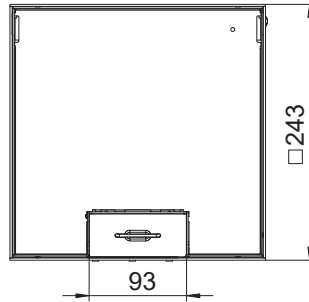
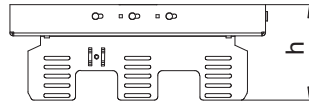
Type	Nominal size	Dim. h mm	Floor covering thickness mm	Pack Piece	Weight kg/100 pc.	Item no.
RKN2 UZD3 9VS20	9	90	20	1	351.000	7409066
RKN2 UZD3 9VS25	9	95	25	1	359.000	7409068



VA

Height-adjustable, decouplable cassette with cord outlet, RKSNUZD3, stainless steel

Type	Nominal size	Dim. h mm	Floor covering thickness mm	Pack Piece	Weight kg/100 pc.	Item no.
RKSN2 UZD3 9VS20	9	90	20	1	338.000	7409238
RKSN2 UZD3 9VS25	9	95	25	1	346.000	7409240



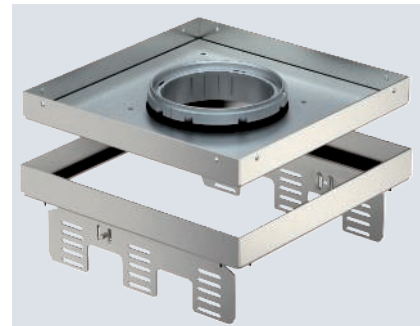
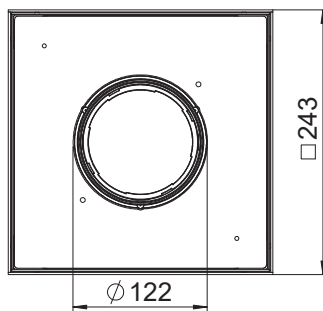
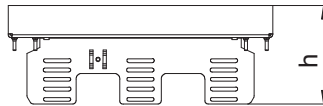
Height-adjustable cassette, decoupled from the floor, of nominal size 9, with cord outlet, for the installation of accessories in dry-cleaned floors indoors, for mounting in underfloor boxes UZD250-3 or UZD350-3, either in conjunction with a mounting cover DUG...9 or in UGD250-3/9 or UGD350-3/9. Mounting takes place using height-adjustment brackets (order separately) in the aluminium frame profile of the underfloor boxes.

Height-adjustable cassette for cord outlet, 3-compartment. 3 APMT5 cover plates can be installed. For the installation of 3 UT4 universal supports for 9 individual installation devices with support ring/support clamp or 12 Modul 45 devices.

VA

Height-adjustable, decouplable cassette for tube body, RKFNUZD3, stainless steel

Type	Nominal size	Dim. h mm	Floor covering thickness mm	Pack Piece	Weight kg/100 pc.	Item no.
RKFN2UZD3 9VS20	9	90	20	1	346.000	7409378
RKFN2UZD3 9VS25	9	95	25	1	346.000	7409380

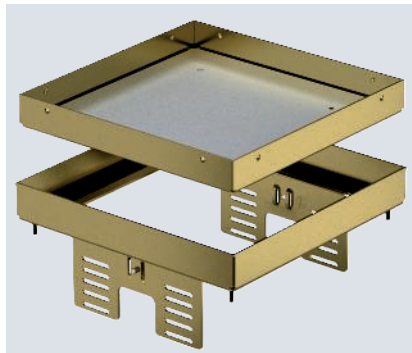


Height-adjustable cassette, decoupled from the floor, of nominal size 9, for tube bodies, for the installation of accessories in dry or wet-cleaned floors for indoor use, for mounting in underfloor boxes UZD250-3 or UZD350-3, either in conjunction with a mounting lid DUG...9 or in UGD250-3/9 or UGD350-3/9. Mounting takes place using height adjustment brackets (order separately) in the aluminium frame profile of the underfloor boxes.

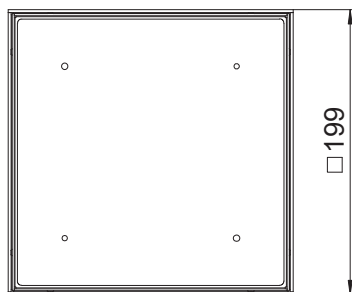
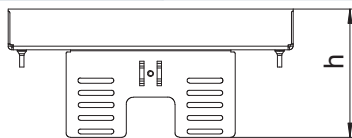
Height-adjustable cassette for tube body, 3-compartment. 3 APMT5 cover plates can be installed. For the installation of 3 UT4 universal supports for 9 individual installation devices with support ring/support clamp or 12 Modul 45 devices.



Height-adjustable, decouplable cassette for inspection opening, RKNUZD3, brass



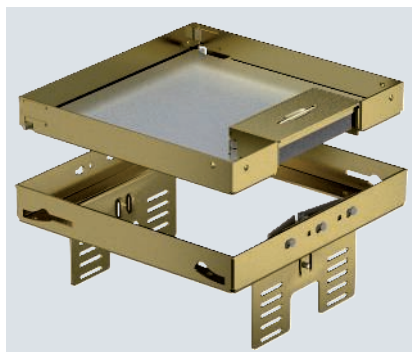
Type	Nominal size	Dim. h mm	Floor covering thickness mm	Pack Piece	Weight kg/100 pc.	Item no.
RKN2 UZD3 4MS25	4	95	25	1	232.000	7409054



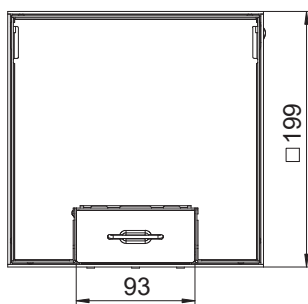
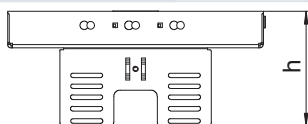
Height-adjustable "blank" cassette, decoupled from the floor, for the creation of an inspection opening of nominal size 4 in dry or wet-cleaned floors for indoor use, for mounting in underfloor boxes UZD250-3 or UZD350-3, either in conjunction with a blanking lid DUG../4 or in UGD250-3/4 or UGD350-3/4. Mounting takes place using levelling profiles (order separately) in the aluminium frame profile of the underfloor boxes. Only suitable for smooth floor coverings.

Height-adjustable cassette as a blind cassette, two-compartment. 2 APMT2 cover plates can be installed. For the installation of 2 UT3 universal supports for 4 individual installation devices with support ring/support clamp or 6 Modul 45 devices.

Height-adjustable, decouplable cassette with cord outlet, RKSNUZD3, brass



Type	Nominal size	Dim. h mm	Floor covering thickness mm	Pack Piece	Weight kg/100 pc.	Item no.
RKSN2 UZD3 4MS25	4	95	25	1	229.000	7409224



Height-adjustable cassette, decoupled from the floor, of nominal size 4, with cord outlet, for the installation of accessories in dry-cleaned floors indoors, for mounting in underfloor boxes UZD250-3 or UZD350-3, either in conjunction with a mounting cover DUG../4 or in UGD250-3/4 or UGD350-3/4. Mounting takes place using height-adjustment brackets (order separately) in the aluminium frame profile of the underfloor boxes.

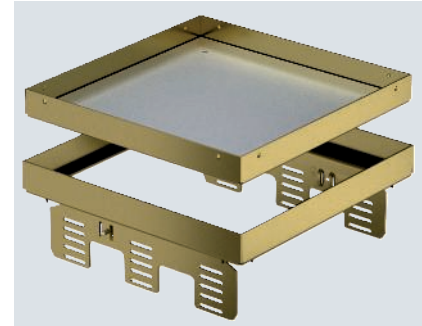
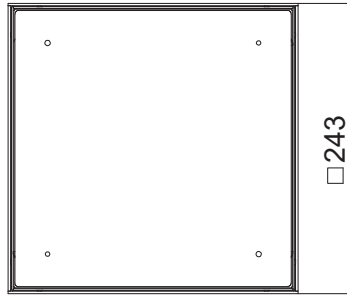
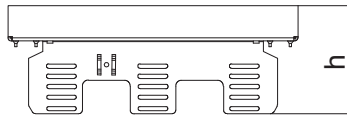
Height-adjustable cassette for cord outlet, 2-compartment. 2 APMT2 cover plates can be installed. For the installation of 2 UT3 universal supports for 4 individual installation devices with support ring/support clamp or 6 Modul 45 devices.



CuZn
37

Height-adjustable, decouplable cassette for inspection opening, RKNUZD3, brass

Type	Nominal size	Dim. h mm	Floor covering thickness mm	Pack Piece	Weight kg/100 pc.	Item no.
RKN2 UZD3 9MS25	9	95	25	1	440.600	7409064



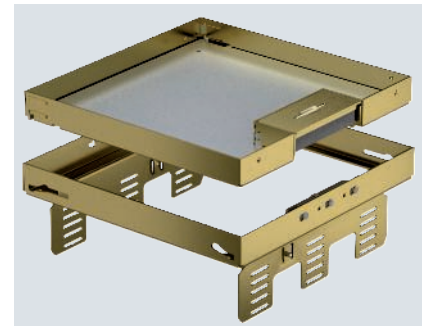
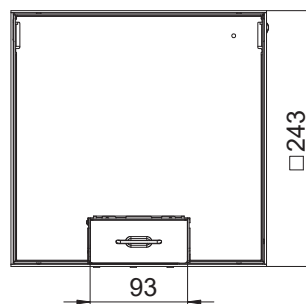
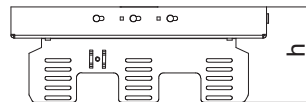
Height-adjustable "blank" cassette, decoupled from the floor, for the creation of an inspection opening of nominal size 9 in dry or wet-cleaned floors for indoor use, for mounting in underfloor boxes UZD250-3 or UZD350-3, either in conjunction with a blanking lid DUG..9 or in UGD250-3/9 or UGD350-3/9. Mounting takes place using levelling profiles (order separately) in the aluminium frame profile of the underfloor boxes. Only suitable for smooth floor coverings.

Height-adjustable cassette as a blind cassette, 3-compartment. 3 APMT5 cover plates can be installed. For the installation of 3 UT4 universal supports for 9 individual installation devices with support ring/support clamp or 12 Modul 45 devices.

CuZn
37

Height-adjustable, decouplable cassette with cord outlet, RKSNUZD3, brass

Type	Nominal size	Dim. h mm	Floor covering thickness mm	Pack Piece	Weight kg/100 pc.	Item no.
RKS2 UZD3 9MS25	9	95	25	1	356.000	7409234



Height-adjustable cassette, decoupled from the floor, of nominal size 9, with cord outlet, for the installation of accessories in dry-cleaned floors for indoor use, for mounting in underfloor boxes UZD250-3 or UZD350-3, either in conjunction with a blanking lid DUG..9 or in UGD250-3/9 or UGD350-3/9. Mounting takes place using levelling profiles (order separately) in the aluminium frame profile of the underfloor boxes.

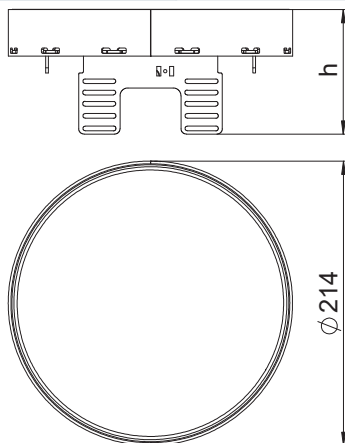
Height-adjustable cassette for cord outlet, 3-compartment. 3 APMT5 cover plates can be installed. For the installation of 3 UT4 universal supports for 9 individual installation devices with support ring/support clamp or 12 Modul 45 devices.



Height-adjustable, decouplable cassette for inspection opening, RKRNUZD3, stainless steel



Type	Nominal size	Dim. h mm	Floor covering thickness mm	Pack Piece	Weight kg/100 pc.	Item no.
RKRNUZD3R4VS25	R4	94	25	1	194.000	7409140



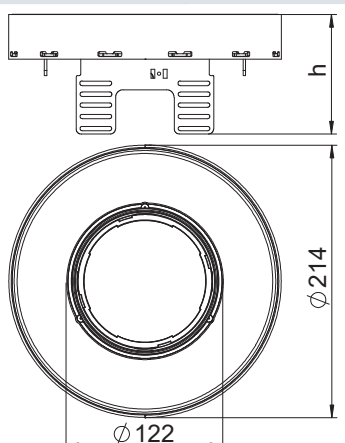
Height-adjustable "blank" cassette, decoupled from the floor, for the creation of an inspection opening of nominal size R4 in dry or wet-cleaned floors for indoor use, for mounting in underfloor boxes UZD250-3 or UZD350-3, either in conjunction with a blanking lid DUG..R4 or in UGD250-3R4 or UGD350-3R4. Mounting takes place using levelling profiles (order separately) in the aluminium frame profile of the underfloor boxes. Only suitable for smooth floor coverings.

Height-adjustable cassette as a blind cassette, two-compartment. 2 APMT2 cover plates can be installed. For the installation of 2 UT3 universal supports for 4 individual installation devices with support ring/support clamp or 6 Modul 45 devices.

Height-adjustable, decouplable cassette for tube body, RKFRNUZD3, stainless steel



Type	Nominal size	Dim. h mm	Floor covering thickness mm	Pack Piece	Weight kg/100 pc.	Item no.
RKFRNUZD3R4VS20	R4	94	20	1	174.000	7409442
RKFRNUZD3R4VS25	R4	94	25	1	174.000	7409444



Height-adjustable cassette, decoupled from the floor, of nominal size R4, for tube bodies, for the installation of accessories in dry or wet-cleaned floors for indoor use, for mounting in underfloor boxes UZD250-3 or UZD350-3, either in conjunction with a mounting lid DUG..R4 or in UGD250-3R4 or UGD350-3R4. Mounting takes place using height adjustment brackets (order separately) in the aluminium frame profile of the underfloor boxes.

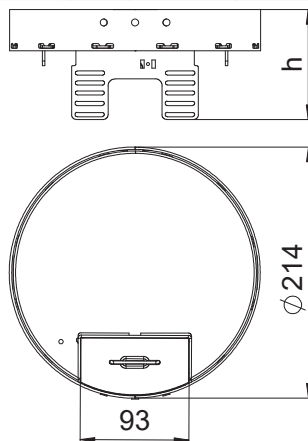
Height-adjustable cassette for tube body, 2-compartment. 2 APMT2 cover plates can be installed. For the installation of 2 UT3 universal supports for 4 individual installation devices with support ring/support clamp or 6 Modul 45 devices.



VA

Height-adjustable, decouplable cassette with cord outlet, RKSRNUZD3, stainless steel

Type	Nominal size	Dim. h mm	Floor covering thickness mm	Pack Piece	Weight kg/100 pc.	Item no.
RKSRN2UZD3R4VS20	R4	94	20	1	200.000	7409288
RKSRN2UZD3R4VS25	R4	94	25	1	200.000	7409290



Height-adjustable cassette, decoupled from the floor, of nominal sized R4, with cord outlet, for the installation of accessories in dry-cleaned floors for indoor use, for mounting in underfloor boxes UZD250-3 or UZD350-3, either in conjunction with a mounting lid DUG..R4 or in UGD250-3R4 or UGD350-3R4. Mounting takes place using height adjustment brackets (order separately) in the aluminium frame profile of the underfloor boxes.

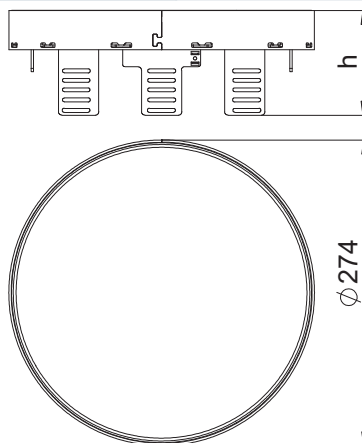
Height-adjustable cassette for cord outlet, 2-compartment. 2 APMT2 cover plates can be installed. For the installation of 2 UT3 universal supports for 4 individual installation devices with support ring/support clamp or 6 Modul 45 devices.



Height-adjustable, decouplable cassette for inspection opening, RKRNUZD3, stainless steel



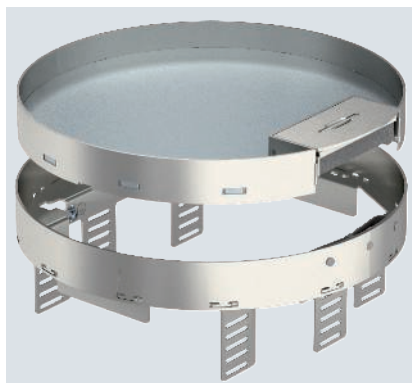
Type	Nominal size	Dim. h mm	Dim. mm	Floor covering thickness mm	Pack Piece	Weight kg/100 pc.	Item no.
RKRNUZD3R7VS25	R7	94	25		1	294.000	7409150



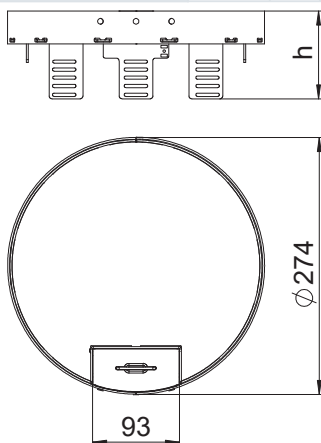
Height-adjustable "blank" cassette, decoupled from the floor, for the creation of an inspection opening of nominal size R7 in dry or wet-cleaned floors for indoor use, for mounting in underfloor boxes UZD350-3, either in conjunction with a blanking lid DUG350-3R7 or in UGD250-3R7. Mounting takes place using levelling profiles (order separately) in the aluminium frame profile of the underfloor coverings.

Height-adjustable cassette as a blind cassette, 3-compartment 2 APMT2 cover plates and 1 APMT5 cover plate can be installed. For the installation of 2 UT3 universal supports and one UT4 universal support for 7 individual installation devices with support ring/support clamp or 10 Modul 45 devices.

Height-adjustable, decouplable cassette with cord outlet, RKSRNUZD3, stainless steel



Type	Nominal size	Dim. h mm	Dim. mm	Floor covering thickness mm	Pack Piece	Weight kg/100 pc.	Item no.
RKSRNUZD3R7VS25	R7	94	25		1	302.000	7409300



Height-adjustable cassette, decoupled from the floor, of nominal sized R7, with cord outlet, for the installation of accessories in dry-cleaned floors for indoor use, for mounting in underfloor boxes UZD350-3, either in conjunction with a mounting lid DUG350-3R7 or UGD350-3R7. Mounting takes place using height adjustment brackets (order separately) in the aluminium frame profile of the underfloor boxes.

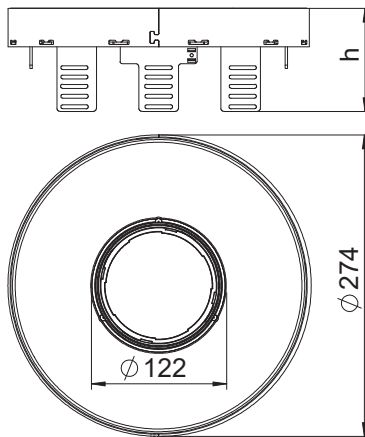
Height-adjustable cassette for cord outlet, 3-compartment. 2 APMT2 cover plates and 1 APMT5 cover plate can be installed. For the installation of 2 UT3 universal supports and one UT4 universal support for 7 individual installation devices with support ring/support clamp or 10 Modul 45 devices.



VA

Height-adjustable, decouplable cassette for tube body, RKFRNUZD3, stainless steel

Type	Nominal size	Dim. h mm	Floor covering thickness mm	Pack Piece	Weight kg/100 pc.	Item no.
RKFRN2UZD3R7VS25	R7	94	25	1	276.000	7409448



Height-adjustable cassette, decoupled from the floor, of nominal size R7, for tube bodies, for the installation of accessories in dry or wet-cleaned floors for indoor use, for mounting in underfloor boxes UZD350-3, either in conjunction with a mounting lid DUG350-3R7 or UGD350-3R7. Mounting takes place using height adjustment brackets (order separately) in the aluminium frame profile of the underfloor boxes.

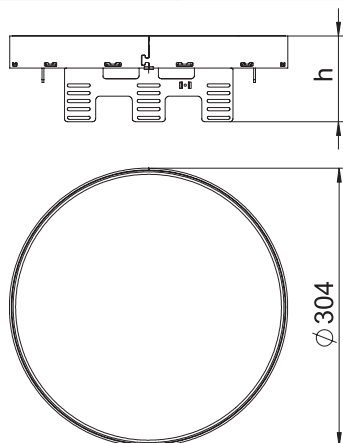
Height-adjustable cassette for cord outlet, 3-compartment. 2 APMT2 cover plates and 1 APMT5 cover plate can be installed. For the installation of 2 UT3 universal supports and one UT4 universal support for 7 individual installation devices with support ring/support clamp or 10 Modul 45 devices.



Height-adjustable, decouplable cassette for inspection opening, RKRNUZD3, stainless steel



Type	Nominal size	Dim. h mm	Floor covering thickness mm	Pack Piece	Weight kg/100 pc.	Item no.
RKRNUZD3R9VS20	R9	94	20	1	358.000	7409158
RKRNUZD3R9VS25	R9	94	25	1	358.000	7409160



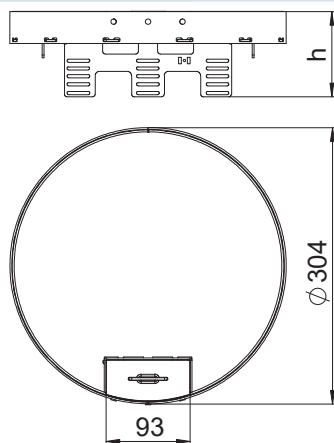
Height-adjustable "blank" cassette, decoupled from the floor, for the creation of an inspection opening of nominal size R9 in dry or wet-cleaned floors for indoor use, for mounting in underfloor boxes UZD350-3, either in conjunction with a blanking lid DUG350-3R9 or in UGD250-3R9. Mounting takes place using levelling profiles (order separately) in the aluminium frame profile of the underfloor boxes. Only suitable for smooth floor coverings.

Height-adjustable cassette as a blind cassette, 3-compartment. 3 APMT5 cover plates can be installed. For the installation of 3 UT4 universal supports for 9 individual installation devices with support ring/support clamp or 12 Modul 45 devices.

Height-adjustable, decouplable cassette with cord outlet, RKSRNUZD3, stainless steel



Type	Nominal size	Dim. h mm	Floor covering thickness mm	Pack Piece	Weight kg/100 pc.	Item no.
RKSRNUZD3R9VS20	R9	94	20	1	368.000	7409308
RKSRNUZD3R9VS25	R9	94	25	1	368.000	7409310



Height-adjustable cassette, decoupled from the floor, of nominal size R9, with cord outlet, for the installation of accessories in dry-cleaned floors for indoor use, for mounting in underfloor boxes UZD350-3, either in conjunction with a mounting lid DUG350-3R9 or UGD350-3R9. Mounting takes place using height adjustment brackets (order separately) in the aluminium frame profile of the underfloor boxes.

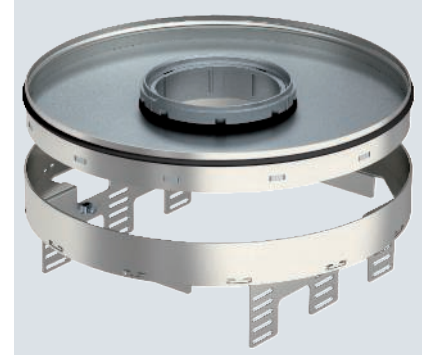
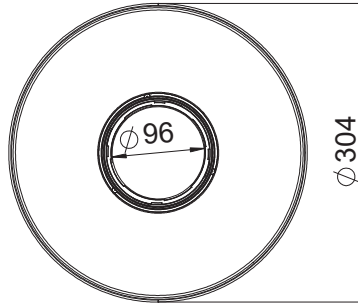
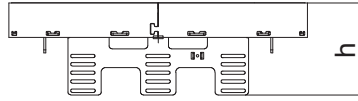
Height-adjustable cassette for cord outlet, 3-compartment. 3 APMT5 cover plates can be installed. For the installation of 3 UT4 universal supports for 9 individual installation devices with support ring/support clamp or 12 Modul 45 devices.



VA

Height-adjustable, decouplable cassette for tube body, RKFRNUZD3, stainless steel

Type	Nominal size	Dim. h mm	Floor covering thickness mm	Pack Piece	Weight kg/100 pc.	Item no.
RKFRN2UZD3R9VS20	R9	94	20	1	336.000	7409450
RKFRN2UZD3R9VS25	R9	94	25	1	336.000	7409452



Height-adjustable cassette, decoupled from the floor, of nominal size R9, for tube bodies, for the installation of accessories in dry or wet-cleaned floors for indoor use, for mounting in underfloor boxes UZD350-3, either in conjunction with a mounting lid DUG350-3R9 or UGD350-3R9. Mounting takes place using height adjustment brackets (order separately) in the aluminium frame profile of the underfloor boxes.

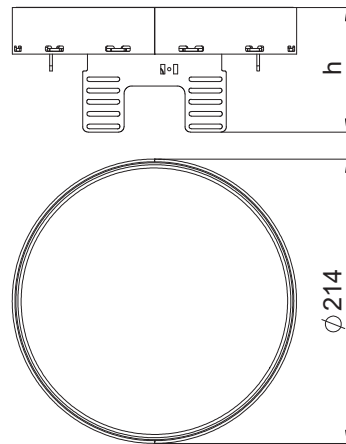
Height-adjustable cassette for tube body, 3-compartment. 3 APMT5 cover plates can be installed. For the installation of 3 UT4 universal supports for 9 individual installation devices with support ring/support clamp or 12 Modul 45 devices.



Height-adjustable, decouplable cassette for inspection opening, RKRNUZD3, brass



Type	Nominal size	Dim. h mm	Floor covering thickness mm	Pack Piece	Weight kg/100 pc.	Item no.
RKRN2UZD3R4MS25	R4	94	25	1	197.000	7409134



Height-adjustable "blank" cassette, decoupled from the floor, for the creation of an inspection opening of nominal size R4 in dry or wet-cleaned floors for indoor use, for mounting in underfloor boxes UZD250-3 or UZD350-3, either in conjunction with a blanking lid DUG..R4 or in UGD250-3R4 or UGD350-3R4. Mounting takes place using levelling profiles (order separately) in the aluminium frame profile of the underfloor boxes. Only suitable for smooth floor coverings.

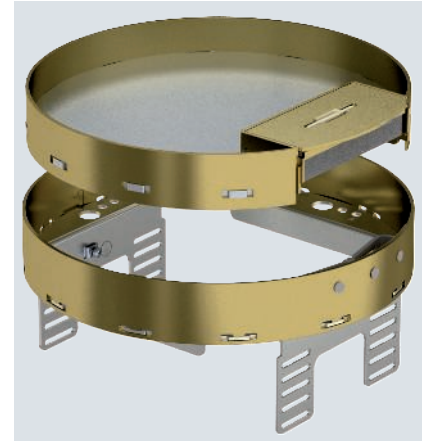
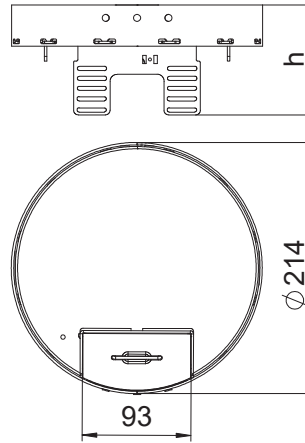
Height-adjustable cassette as a blind cassette, two-compartment. 2 APMT2 cover plates can be installed. For the installation of 2 UT3 universal supports for 4 individual installation devices with support ring/support clamp or 6 Modul 45 devices.



CuZn
37

Height-adjustable, decouplable cassette with cord outlet, RKSRNUZD3, brass

Type	Nominal size	Dim. h mm	Floor covering thickness mm	Pack Piece	Weight kg/100 pc.	Item no.
RKSRN2UZD3R4MS25	R4	94	25	1	203.000	7409284

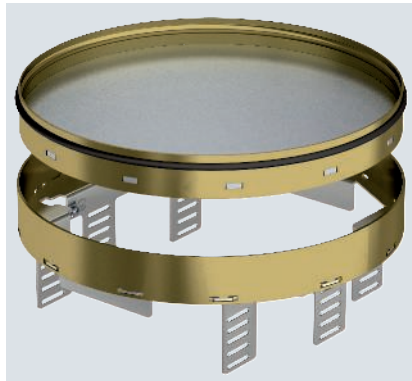


Height-adjustable cassette, decoupled from the floor, of nominal size R4, with cord outlet, for the installation of accessories in dry-cleaned floors for indoor use, for mounting in underfloor boxes UZD250-3 or UZD350-3, either in conjunction with a mounting lid DUG..R4 or in UGD250-3R4 or UGD350-3R4. Mounting takes place using height adjustment brackets (order separately) in the aluminium frame profile of the underfloor boxes.

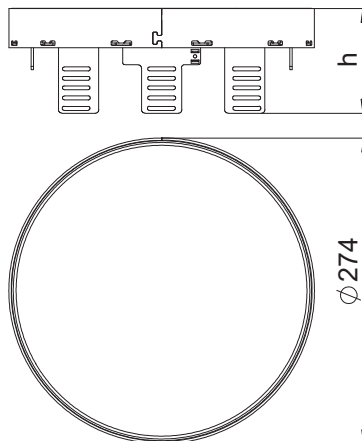
Height-adjustable cassette for cord outlet, 2-compartment. 2 APMT2 cover plates can be installed. For the installation of 2 UT3 universal supports for 4 individual installation devices with support ring/support clamp or 6 Modul 45 devices.



Height-adjustable, decouplable cassette for inspection opening, RKRNUZD3, brass



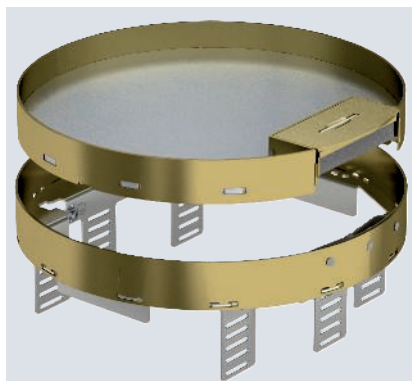
Type	Nominal size	Dim. h mm	Floor covering thickness mm	Pack Piece	Weight kg/100 pc.	Item no.
RKRNUZD3R7MS25	R7	94	25	1	298.000	7409144



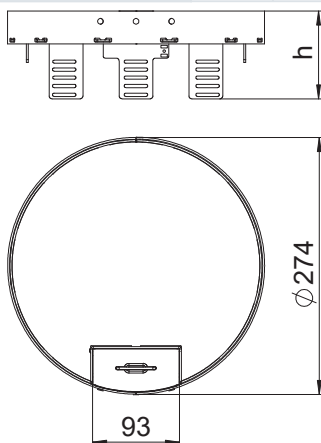
Height-adjustable "blank" cassette, decoupled from the floor, for the creation of an inspection opening of nominal size R7 in dry or wet-cleaned floors for indoor use, for mounting in underfloor boxes UZD350-3, either in conjunction with a blanking lid DUG350-3R7 or in UGD250-3R7. Mounting takes place using levelling profiles (order separately) in the aluminium frame profile of the underfloor boxes. Only suitable for smooth floor coverings.

Height-adjustable cassette as a blind cassette, 3-compartment. 2 APMT2 cover plates and 1 APMT5 cover plate can be installed. For the installation of 2 UT3 universal supports and one UT4 universal support for 7 individual installation devices with support ring/support clamp or 10 Modul 45 devices.

Height-adjustable, decouplable cassette with cord outlet, RKSRNUZD3, brass



Type	Nominal size	Dim. h mm	Floor covering thickness mm	Pack Piece	Weight kg/100 pc.	Item no.
RKSRNUZD3R7MS25	R7	94	25	1	306.000	7409294



Height-adjustable cassette, decoupled from the floor, of nominal size R7, with cord outlet, for the installation of accessories in dry-cleaned floors for indoor use, for mounting in underfloor boxes UZD350-3, either in conjunction with a mounting lid DUG350-3R7 or UGD350-3R7. Mounting takes place using height adjustment brackets (order separately) in the aluminium frame profile of the underfloor boxes.

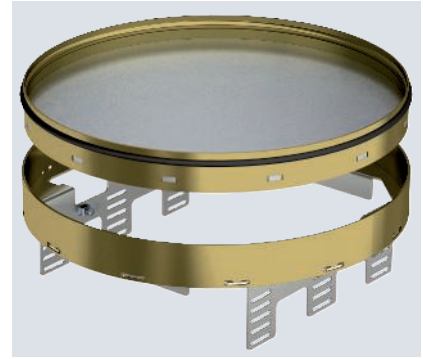
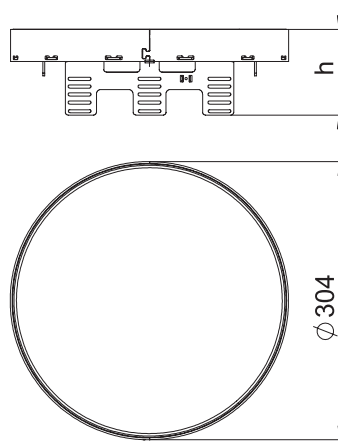
Height-adjustable cassette for cord outlet, 3-compartment. 2 APMT2 cover plates and 1 APMT5 cover plate can be installed. For the installation of 2 UT3 universal supports and one UT4 universal support for 7 individual installation devices with support ring/support clamp or 10 Modul 45 devices.



CuZn
37

Height-adjustable, decouplable cassette for inspection opening, RKRNUZD3, brass

Type	Nominal size	Dim. h mm	Floor covering thickness mm	Pack Piece	Weight kg/100 pc.	Item no.
RKRNUZD3R9MS25	R9	94	25	1	362.000	7409154



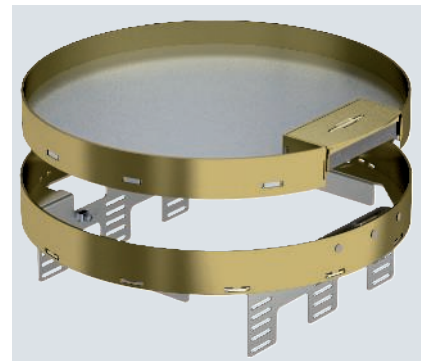
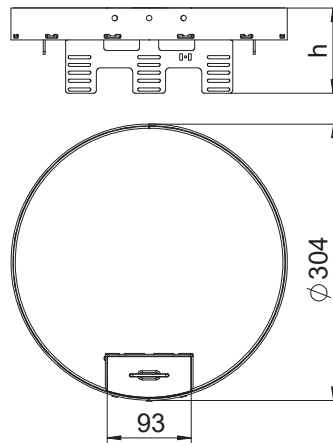
Height-adjustable "blank" cassette, decoupled from the floor, for the creation of an inspection opening of nominal size R9 in dry or wet-cleaned floors for indoor use, for mounting in underfloor boxes UZD350-3, either in conjunction with a blanking lid DUG350-3R9 or in UGD250-3R9. Mounting takes place using levelling profiles (order separately) in the aluminium frame profile of the underfloor boxes. Only suitable for smooth floor coverings.

Height-adjustable cassette as a blind cassette, 3-compartment. 3 APMT5 cover plates can be installed. For the installation of 3 UT4 universal supports for 9 individual installation devices with support ring/support clamp or 12 Modul 45 devices.

CuZn
37

Height-adjustable, decouplable cassette with cord outlet, RKSRNUZD3, brass

Type	Nominal size	Dim. h mm	Floor covering thickness mm	Pack Piece	Weight kg/100 pc.	Item no.
RKSRNUZD3R9MS25	R9	94	25	1	372.000	7409304

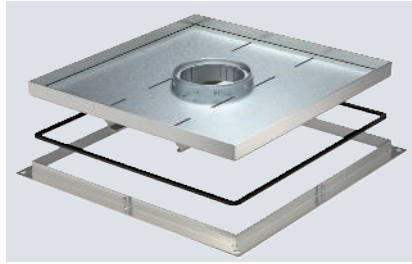


Height-adjustable cassette, decoupled from the floor, of nominal sized R9, with cord outlet, for the installation of accessories in dry-cleaned floors for indoor use, for mounting in underfloor boxes UZD350-3, either in conjunction with a mounting lid DUG350-3R9 or UGD350-3R9. Mounting takes place using height adjustment brackets (order separately) in the aluminium frame profile of the underfloor boxes.

Height-adjustable cassette for cord outlet, 3-compartment. 3 APMT5 cover plates can be installed. For the installation of 3 UT4 universal supports for 9 individual installation devices with support ring/support clamp or 12 Modul 45 devices.

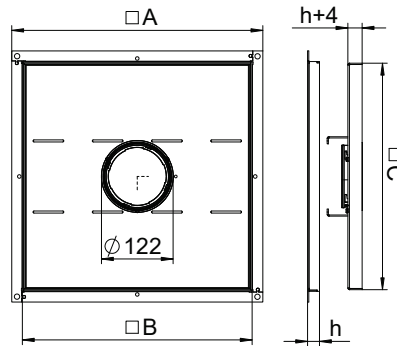


Heavy-duty frame cassette for tube body, RKFSL, nominal size 350-3



Heavy-duty frame cassette for tube body for the installation of accessories in the UZD350-3 in dry or wet-cleaned floors for indoor use. Load class 2 to 20 kN.

Type	Dim. A mm	Dim. B mm	Dim. C mm	Dim. h mm	Floor covering thickness mm	Pack Piece	Weight kg/100 pc.	Item no.
RKF2 SL2 V3 20	424	388	382	20	14	1	1,278.000	7409542
RKF2 SL2 V3 25	424	388	382	25	19	1	1,307.000	7409544
RKF2 SL2 V3 30	424	388	382	30	24	1	1,334.000	7409546
RKF2 SL2 V3 40	424	388	382	40	34	1	1,398.000	7409550

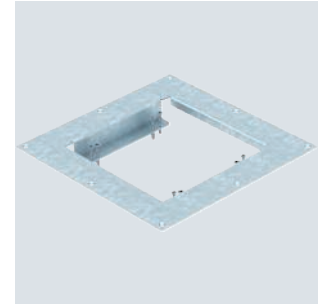
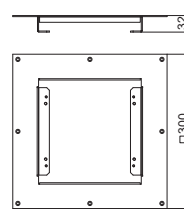


St F

Mounting lid for height-adjustable cassette of nominal size 4 in system bases

Type	Width mm	Length mm	Cut-out dimensions mm	Pack Piece	Weight kg/100 pc.	Item no.
DUG RK UAN 4	300	300	204x204	1	115.000	7428544

Mounting lid for the installation of height-adjustable cassettes of nominal size 4 in system floors.

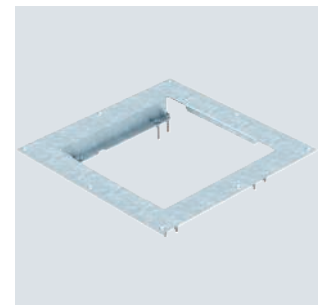
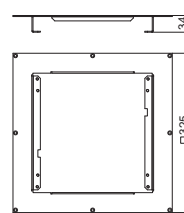


St F

Mounting lid for height-adjustable cassette of nominal size 9 in system bases

Type	Width mm	Length mm	Cut-out dimensions mm	Pack Piece	Weight kg/100 pc.	Item no.
DUG RK UAN 9	325	325	248x248	1	108.000	7428547

Mounting lid for the installation of height-adjustable cassettes of nominal size 9 in system floors.

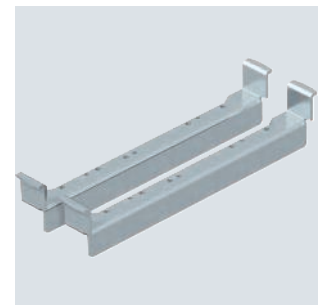
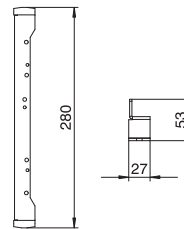


St FS

Height adjustment bracket for installation in UGD250-3 for one square cassette

Type	Material	Pack Piece	Weight kg/100 pc.	Item no.
NW 250-3 QK	St	1	74.000	7410540

Height adjustment bracket to mount the square height-adjustable cassettes in the underfloor connection socket, type UZD250-3 or UZD350-3. With all the components necessary for mounting and height adjustment.

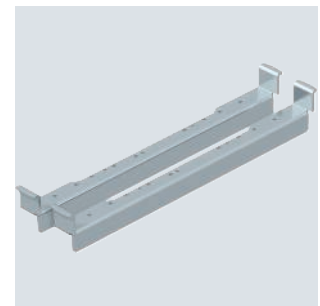
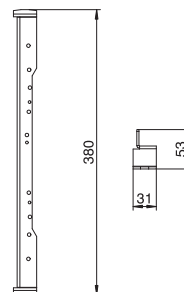


St FS

Height adjustment bracket for installation in UGD350-3 for one square cassette

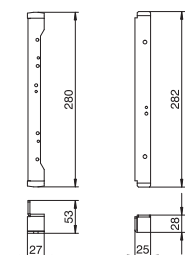
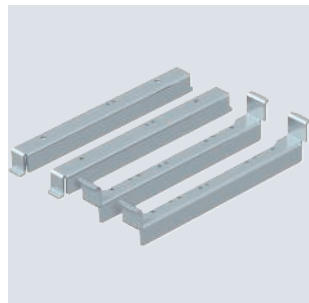
Type	Material	Pack Piece	Weight kg/100 pc.	Item no.
NW 350-3 QK	St	1	94.000	7410544

Height adjustment bracket to mount the square height-adjustable cassettes in the underfloor connection socket, type UZD350-3 or UGD350-3. With all the components necessary for mounting and height adjustment.



Height adjustment bracket for installation in UGD250-3 for one round cassette

St FS

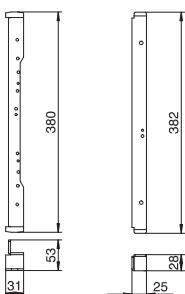
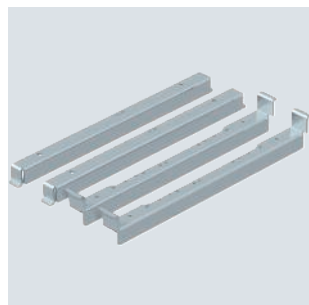


Type	Material	Pack	Weight	Item no.
		Piece	kg/100 pc.	
NW 250-3 RK	St	1	130.000	7410552

Height adjustment bracket to mount the round height-adjustable cassettes in the underfloor box, type UGD250-3.
With all the components necessary for mounting and height adjustment.

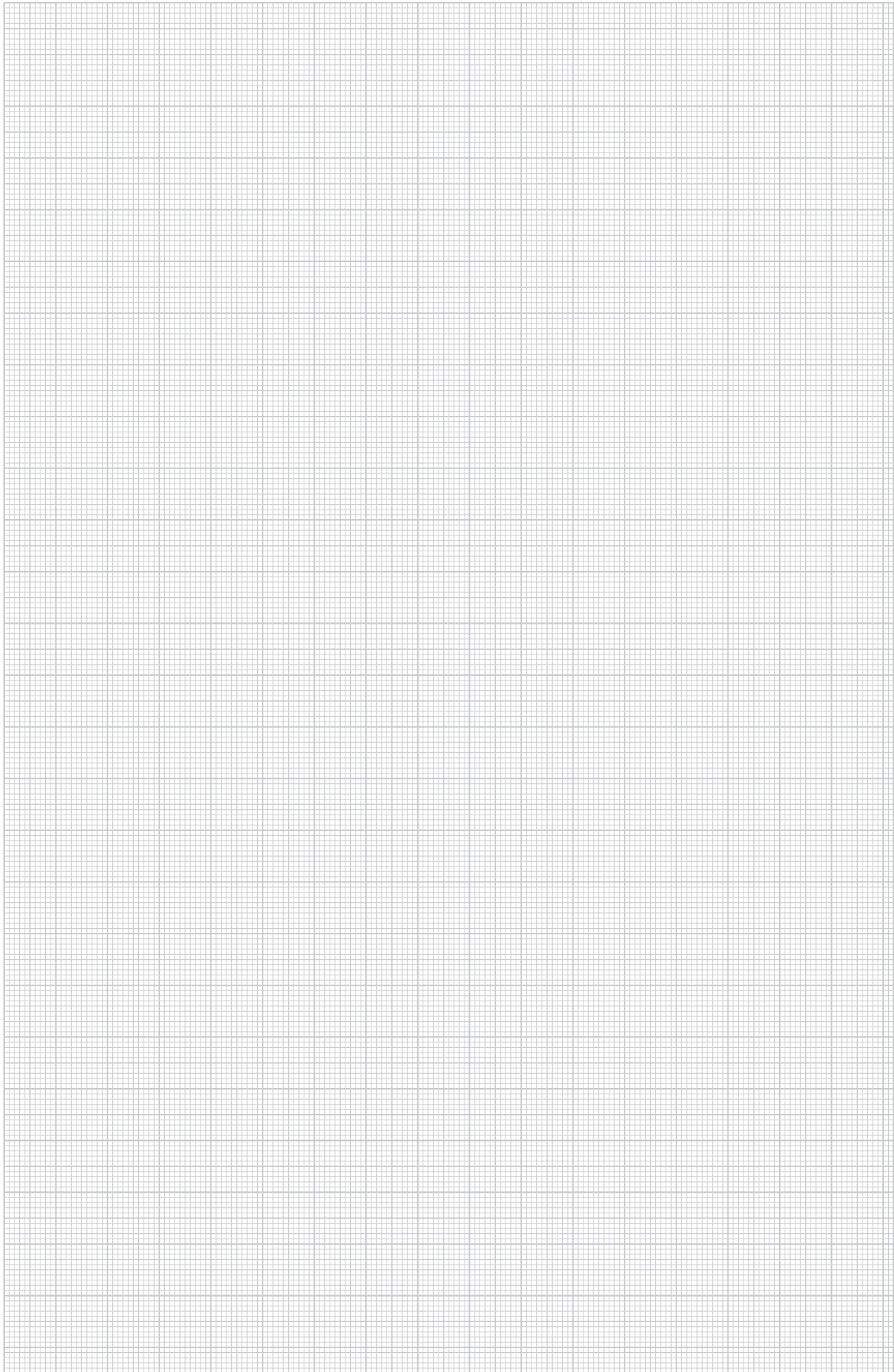
Height adjustment bracket for installation in UGD350-3 for one round cassette

St FS



Type	Material	Pack	Weight	Item no.
		Piece	kg/100 pc.	
NW 350-3 RK	St	1	173.000	7410556

Height adjustment bracket to mount the round height-adjustable cassettes in the underfloor box, type UGD350-3.
With all the components necessary for mounting and height adjustment.



Overview of the heavy-duty systems

Device installation units

Selection according to

- Load requirement
- Floor covering thickness
- Functional method
- Installation capacity

Cassettes for cable outlets and inspection purposes protect the electrical installation in the floor against water penetration. All heavy-duty solutions guarantee moisture protection according to DIN EN 50085-2-2 and are therefore approved for wet-cleaned floors indoors.

Heavy-duty mounting lid

Selection according to

- The shape of the selected service outlet or the cassette (nominal size)
- Screed height

With heavy-duty frame cassettes, a mounting set, not a mounting lid, must be used for the installation of installation devices.

Height-adjustment units

Selection according to

- Screed height

Heavy-duty supports for underfloor socket

Selection according to

- Screed height

Underfloor socket (UZD)

Selection according to

- Screed height
- Shape of the cassette and the heavy-duty mounting lid
- Duct width

Ducts

Selection according to

- Cable volume

Load capacity

7.5 kN



Service outlet



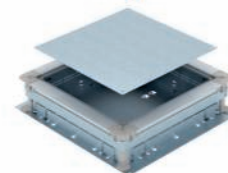
Heavy-duty mounting lid



Height-adjustment units



Heavy-duty support



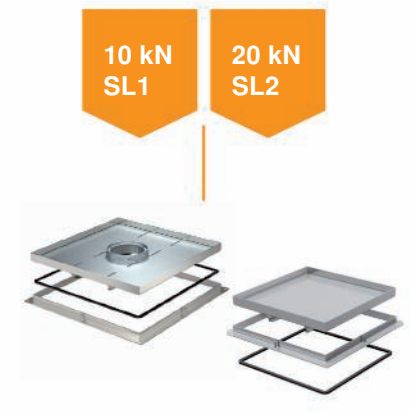
Underfloor socket, nominal size 350



Square heavy-duty cassettes



Round heavy-duty cassettes



Heavy-duty frame cassettes



Heavy-duty mounting lid



Heavy-duty mounting lid



Mounting set



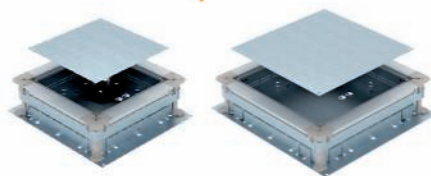
Height-adjustment units



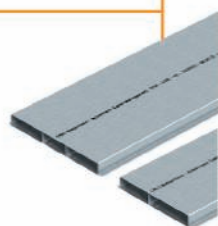
Height-adjustment units



Heavy-duty support



Underfloor socket, nominal size 250 and 350



Trunking in various widths, 2-compartment and 3-compartment



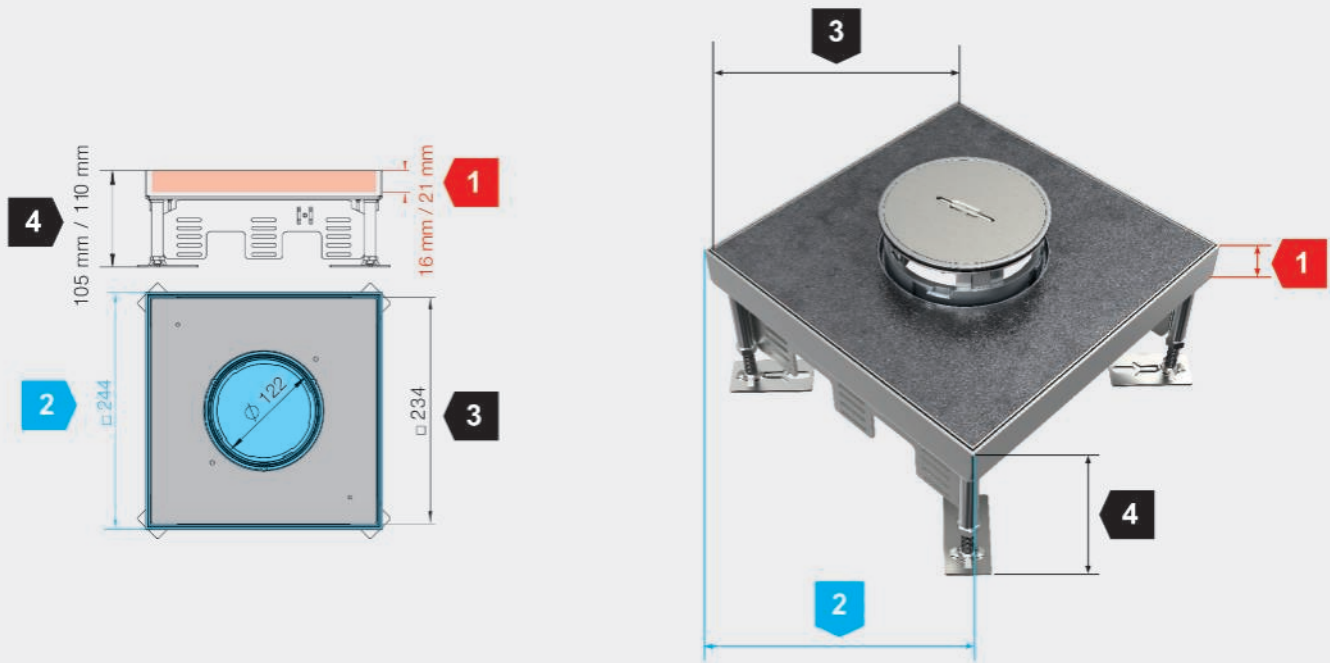


Heavy-duty systems

Heavy-duty systems reliably supply areas with high load requirements with power, data and multimedia technology via the floor. Car dealerships, museums, airports, stations or hotels are typical areas of application. The construction and the material thickness is specially matched to the high load requirements. With the heavy-duty system, OBO guarantees a particularly robust, safe and long-lasting installation solution.



Installation and floor cut-out dimensions



Various installation and floor cut-out dimensions must be taken into account for the mounting of height-adjustable cassettes and the application of floor coverings in the cassette lids.

1

Frame height for the floor covering in the lid (red dimensions)

The frame height data relates to the maximum floor covering thickness, including adhesive. The cassettes are available in various frame heights.

2

Floor cut-out for the installation of cassettes (blue dimensions)

The dimensions for the floor cut-out should be considered as target dimensions for correct installation of the cassette in the floor. They are only generally required for the floor cut-out in system floors. The EÜK screed-covered duct system and the OKA open trunking system offer prefabricated mounting lids with matching installation openings.

3

Internal dimension of the lid to determine the floor covering cut-out (black dimensions)

The dimension data relates to the internal dimension of the cassette lid and is used to calculate the floor covering cut out. Depending on the type of floor covering, appropriate reductions should be taken into account, e.g. for expansion gaps.

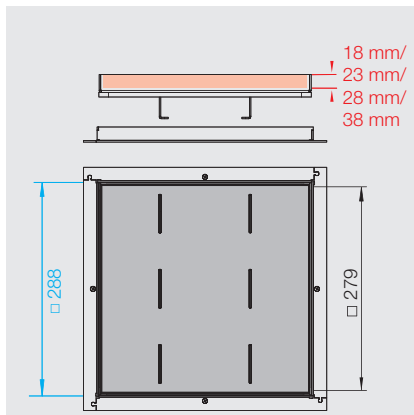
4

Minimum floor structure height (raw concrete ceiling to finished floor)

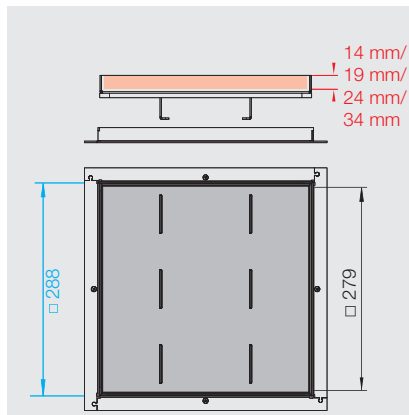
The dimension describes the minimum floor structure height from the raw concrete ceiling to the top edge of the finished floor. It guarantees correct installation and use of installation devices, such as sockets, data and multimedia connections.



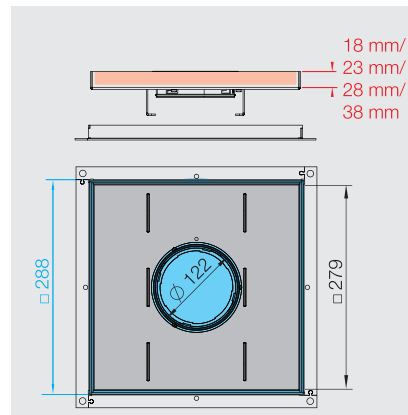
System dimensions, frame cassettes



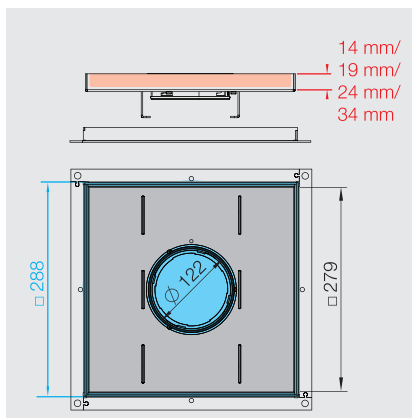
Nominal size 250-3, type RK SL1



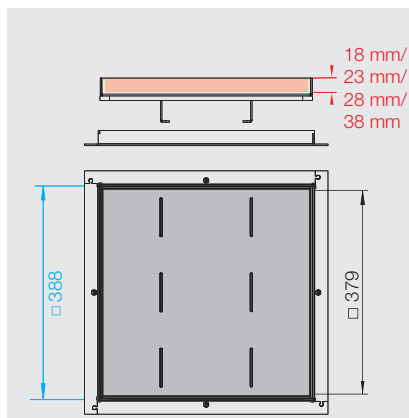
Nominal size 250-3, type RK SL2



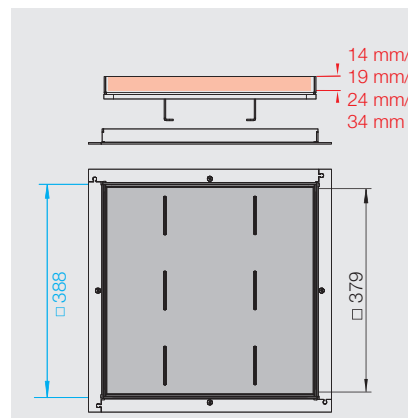
Nominal size 250-3, type RKF SL1



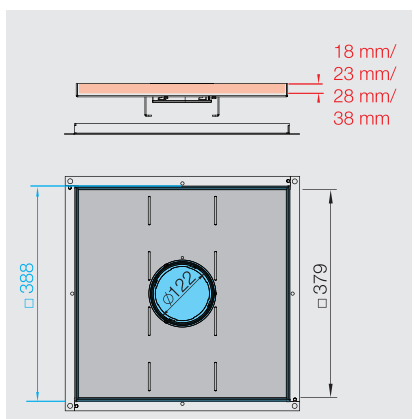
Nominal size 250-3, type RKF SL2



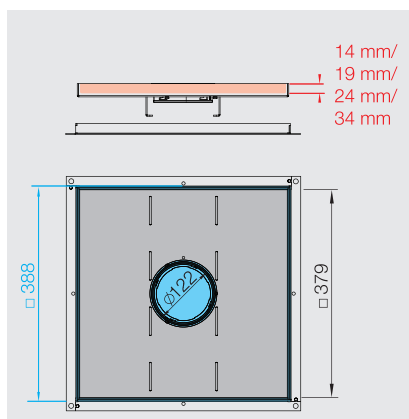
Nominal size 350-3, type RK SL1



Nominal size 350-3, type RK SL2



Nominal size 350-3, type RKF SL1

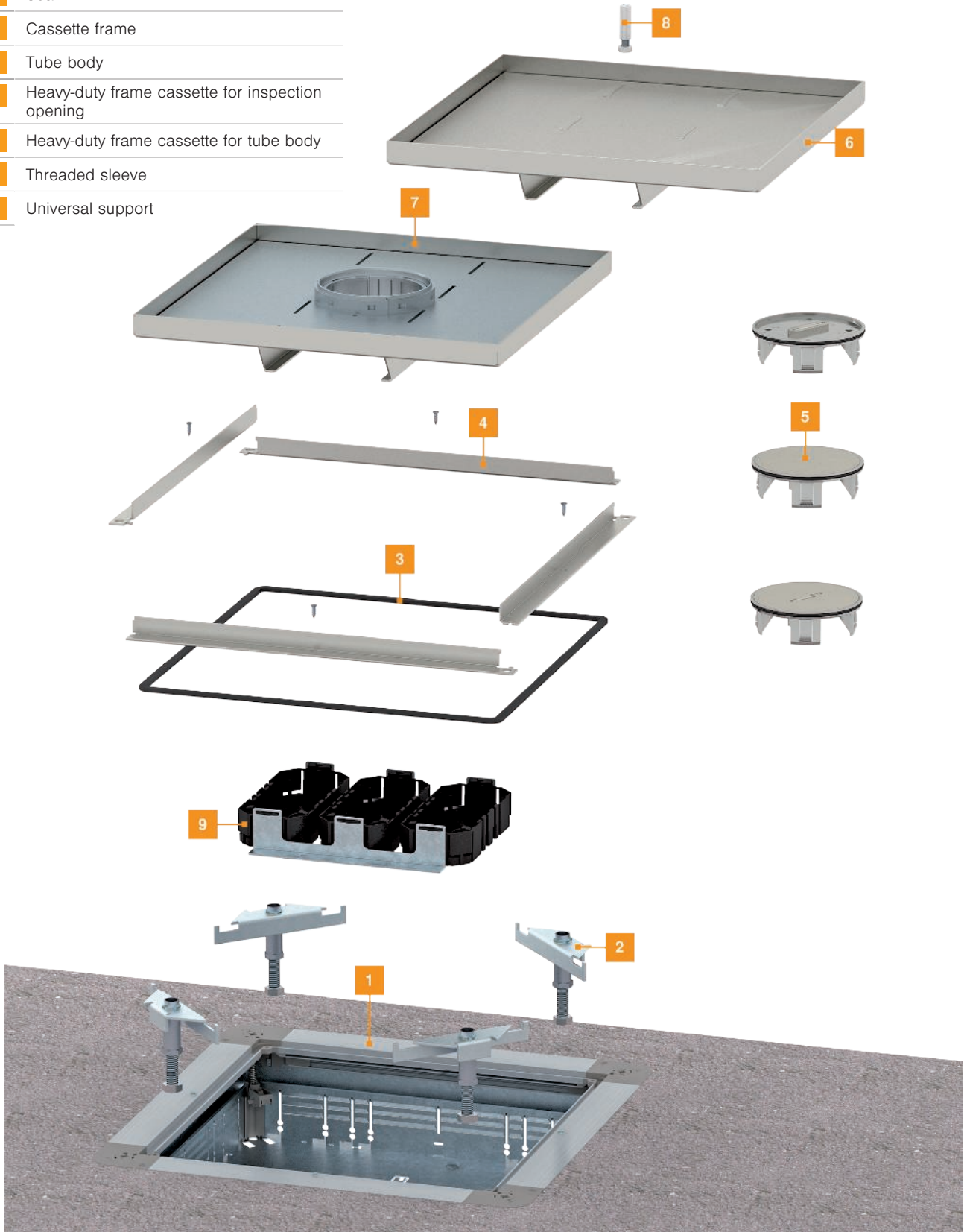


Nominal size 350-3, type RKF SL2

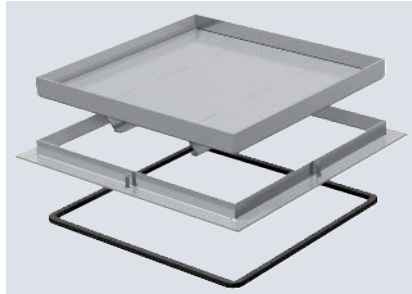
Heavy-duty frame cassette

Installation principle

- 1 Underfloor junction and branch box
- 2 Heavy-duty support
- 3 Seal
- 4 Cassette frame
- 5 Tube body
- 6 Heavy-duty frame cassette for inspection opening
- 7 Heavy-duty frame cassette for tube body
- 8 Threaded sleeve
- 9 Universal support

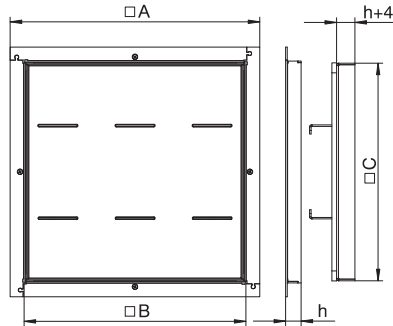


Heavy-duty frame cassette, blank, RKSL, nominal size 250-3

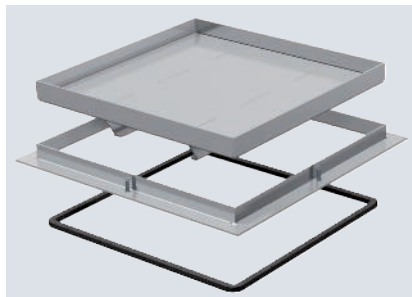


"Blank" heavy-duty frame cassette for the creation of an inspection opening in the UZD250-3 in dry or wet-cleaned floors. Load class 1 to 10 kN. Only suitable for smooth floor coverings for indoor use.

Type	Dim. A mm	Dim. B mm	Dim. C mm	Dim. h mm	Floor covering thickness mm	Pack Piece	Weight kg/100 pc.	Item no.
RK SL1 V2 20	324	288	282	20	18	1	517.000	7405892
RK SL1 V2 25	324	288	282	25	23	1	537.000	7405896
RK SL1 V2 30	324	288	282	30	28	1	555.000	7405900
RK SL1 V2 40	324	288	282	40	38	1	608.000	7405908

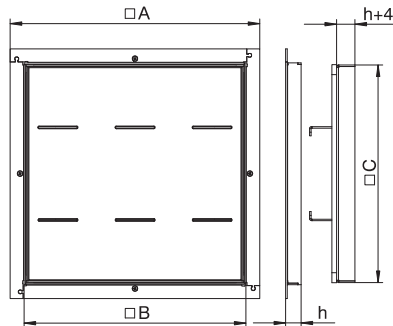


Heavy-duty frame cassette, blank, RKSL, nominal size 250-3



"Blank" heavy-duty frame cassette for the creation of an inspection opening in the UZD250-3 in dry or wet-cleaned floors. Load class 2 to 20 kN. Only suitable for smooth floor coverings for indoor use.

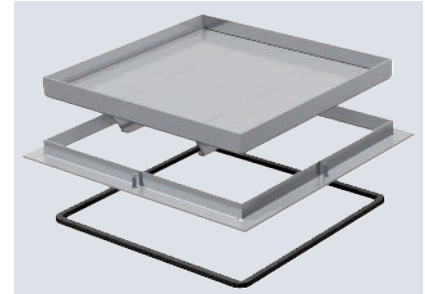
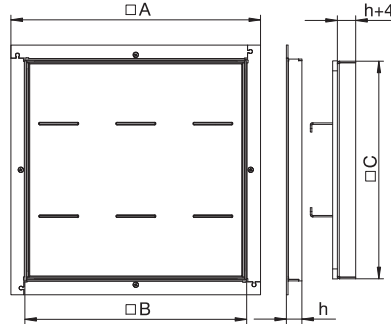
Type	Dim. A mm	Dim. B mm	Dim. C mm	Dim. h mm	Floor covering thickness mm	Pack Piece	Weight kg/100 pc.	Item no.
RK SL2 V2 20	324	288	282	20	14	1	776.000	7405932
RK SL2 V2 25	324	288	282	25	19	1	775.000	7405936
RK SL2 V2 30	324	288	282	30	24	1	794.000	7405940
RK SL2 V2 40	324	288	282	40	34	1	833.000	7405948



VA

Heavy-duty frame cassette, blank, RKSL, nominal size 350-3

Type	Dim. A mm	Dim. B mm	Dim. C mm	Dim. h mm	Floor covering thickness mm	Pack Piece	Weight kg/100 pc.	Item no.
RK SL1 V3 20	424	388	382	20	18	1	897.000	7405912
RK SL1 V3 25	424	388	382	25	23	1	945.000	7405916
RK SL1 V3 30	424	388	382	30	28	1	953.000	7405920
RK SL1 V3 40	424	388	382	40	38	1	1,017.000	7405928

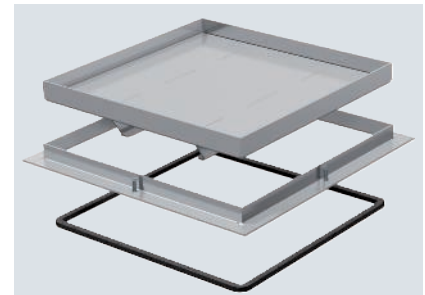
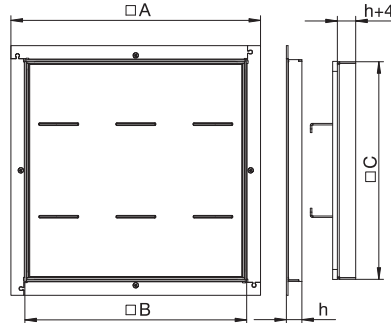


"Blank" heavy-duty frame cassette for the creation of an inspection opening in the UZD350-3 in dry or wet-cleaned floors. Load class 1 to 10 kN. Only suitable for smooth floor coverings for indoor use.

VA

Heavy-duty frame cassette, blank, RKSL, nominal size 350-3

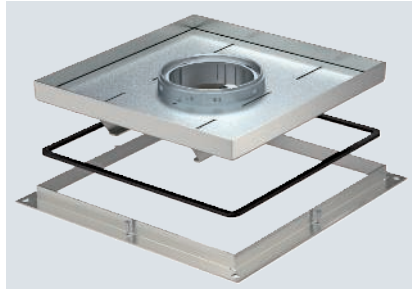
Type	Dim. A mm	Dim. B mm	Dim. C mm	Dim. h mm	Floor covering thickness mm	Pack Piece	Weight kg/100 pc.	Item no.
RK SL2 V3 20	424	388	382	20	14	1	1,346.000	7405952
RK SL2 V3 25	424	388	382	25	19	1	1,377.000	7405956
RK SL2 V3 30	424	388	382	30	24	1	1,400.000	7405960
RK SL2 V3 40	424	388	382	40	34	1	1,466.000	7405968



"Blank" heavy-duty frame cassette for the creation of an inspection opening in the UZD350-3 in dry or wet-cleaned floors. Load class 2 to 20 kN. Only suitable for smooth floor coverings for indoor use.

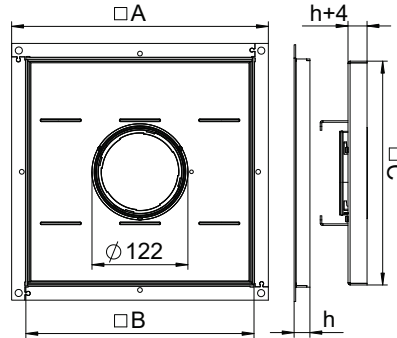


Heavy-duty frame cassette for tube body, RKFSL, nominal size 250-3

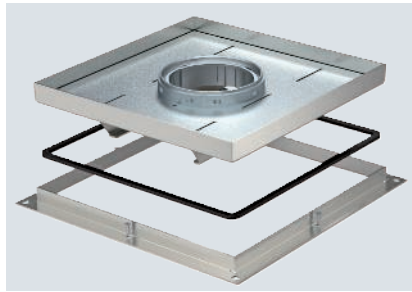


Heavy-duty frame cassette for tube body for the installation of accessories in the UZD250-3 in dry or wet-cleaned floors for indoor use. Load class 1 to 10 kN.

Type	Dim. A mm	Dim. B mm	Dim. C mm	Dim. h mm	Floor covering thickness mm	Pack Piece	Weight kg/100 pc.	Item no.
RKF2 SL1 V2 20	324	288	282	20	18	1	489.000	7409482
RKF2 SL1 V2 25	324	288	282	25	23	1	508.000	7409484
RKF2 SL1 V2 30	324	288	282	30	28	1	526.000	7409486
RKF2 SL1 V2 40	324	288	282	40	38	1	559.000	7409490

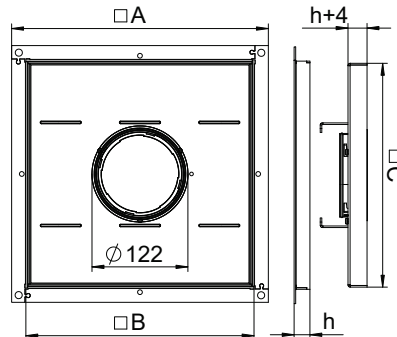


Heavy-duty frame cassette for tube body, RKFSL, nominal size 250-3



Heavy-duty frame cassette for tube body for the installation of accessories in the UZD250-3 in dry or wet-cleaned floors for indoor use. Load class 2 to 20 kN.

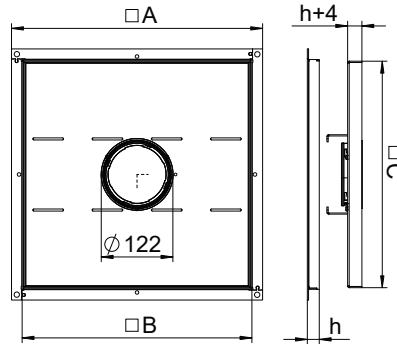
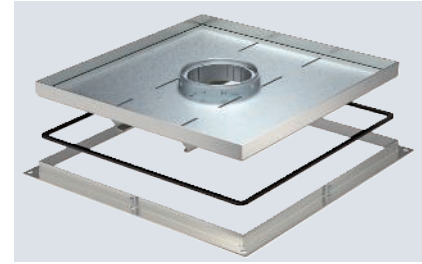
Type	Dim. A mm	Dim. B mm	Dim. C mm	Dim. h mm	Floor covering thickness mm	Pack Piece	Weight kg/100 pc.	Item no.
RKF2 SL2 V2 20	324	288	282	20	14	1	700.000	7409522
RKF2 SL2 V2 25	324	288	282	25	19	1	719.000	7409524
RKF2 SL2 V2 30	324	288	282	30	24	1	738.000	7409526
RKF2 SL2 V2 40	324	288	282	40	34	1	777.000	7409530



VA

Heavy-duty frame cassette for tube body, RKFSL, nominal size 350-3

Type	Dim. A mm	Dim. B mm	Dim. C mm	Dim. h mm	Floor covering thickness mm	Pack Piece	Weight kg/100 pc.	Item no.
RKF2 SL1 V3 20	424	388	382	20	18	1	912.000	7409502
RKF2 SL1 V3 25	424	388	382	25	23	1	941.000	7409504
RKF2 SL1 V3 30	424	388	382	30	28	1	968.000	7409506
RKF2 SL1 V3 40	424	388	382	40	38	1	1,032.000	7409510



Heavy-duty frame cassette for tube body for the installation of accessories in the UZD350-3 in dry or wet-cleaned floors for indoor use. Load class 1 to 10 kN.



Heavy-duty cassette

Installation principle

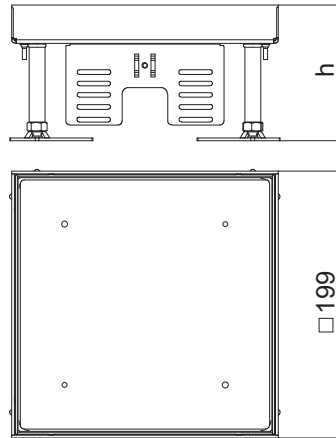
- 1 Heavy-duty support
- 2 Heavy-duty mounting lid
- 3 Heavy-duty cassette for tube body
- 4 Tube body
- 5 Heavy-duty cassette, blank
- 6 Threaded sleeve



VA

Height-adjustable heavy-duty cassette, blank, RKNSL, nominal size 4, stainless steel

Type	Dim. h mm	Floor covering thickness mm	Floor height mm	Material	Pack Piece	Weight kg/100 pc.	Item no.
RKN2 4 VMSL1N 15	100	15	100-150	A2	1	389.000	7409008
RKN2 4 VMSL1N 20	105	20	105-155	A2	1	400.000	7409010



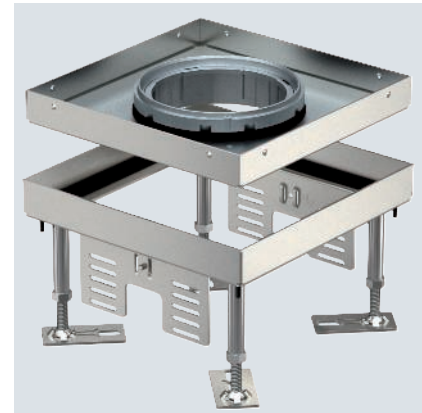
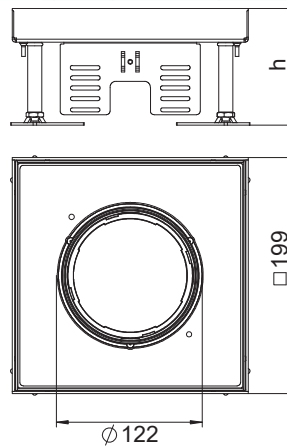
Heavy-duty "blank" square cassette of nominal size 4 for the creation of an inspection opening in trunking systems, raised or cavity floors, in dry or wet-cleaned floors for indoor use. Load class 1 to 10 kN. Only suitable for smooth floor coverings.

Height-adjustable heavy-duty cassette as a blind cassette with a load bearing capacity of 1–10 kN, 2-compartment. 2 APMT2 cover plates can be installed. For the installation of 2 UT3 universal supports for 4 individual installation devices with support ring/support clamp or 6 Modul 45 devices.

VA

Height-adjustable heavy-duty cassette for tube body RKFNSL, nominal size 4, stainless steel

Type	Dim. h mm	Floor covering thickness mm	Floor height mm	Material	Pack Piece	Weight kg/100 pc.	Item no.
RKFN2 4 VMSL1N15	100	15	100-150	A2	1	355.500	7409382
RKFN2 4 VMSL1N20	105	20	105-155	A2	1	367.000	7409384



Heavy-duty square cassette for tube body of nominal size 4 for the installation of accessories in trunking systems, raised or cavity floors, in dry or wet-cleaned floors for indoor use. Load class 1 to 10 kN.

Height-adjustable heavy-duty cassette with tube body with a load bearing capacity of 1–10 kN, 2-compartment. 2 APMT2 cover plates can be installed. For the installation of 2 UT3 universal supports for 4 individual installation devices with support ring/support clamp or 6 Modul 45 devices.



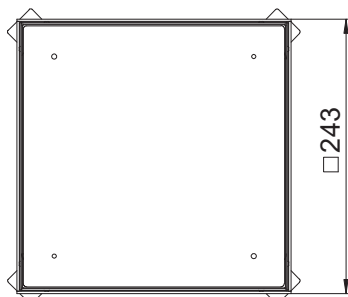
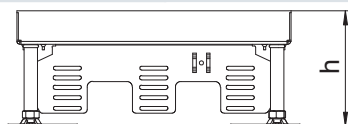
Height-adjustable heavy-duty cassette, blank, RKNSL, nominal size 9, stainless steel



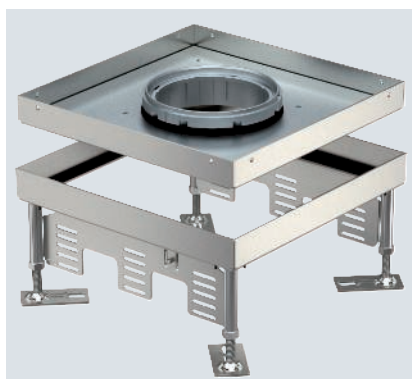
Heavy-duty "blank" square cassette of nominal size 9 for the creation of an inspection opening in trunking systems, raised or cavity floors, in dry or wet-cleaned floors for indoor use. Load class 1 to 10 kN. Only suitable for smooth floor coverings.

Height-adjustable heavy-duty cassette as a blind cassette with a load bearing capacity of 1–10 kN, 3-compartment. 3 APMT5 cover plates can be installed. For the installation of 3 UT4 universal supports for 9 individual installation devices with support ring/support clamp or 12 Modul 45 devices.

Type	Dim. h mm	Floor covering thickness mm	Floor height mm	Material	Pack Piece	Weight kg/100 pc.	Item no.
RKN2 9 VMSL1N 16	100	16	100-150	A2	1	550.000	7409028
RKN2 9 VMSL1N 21	105	21	105-155	A2	1	563.000	7409030



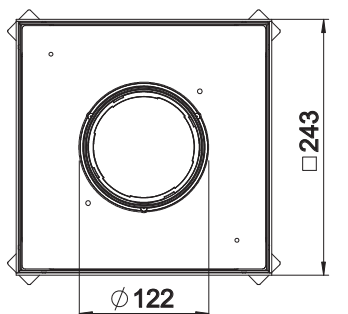
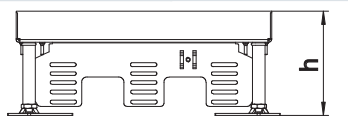
Height-adjustable heavy-duty cassette for tube body RKFNSL, nominal size 9, stainless steel



Heavy-duty square cassette for tube body of nominal size 9 for the installation of accessories in trunking systems, raised or cavity floors, in dry or wet-cleaned floors for indoor use. Load class 1 to 10 kN.

Height-adjustable heavy-duty cassette with tube body with a load bearing capacity of 1–10 kN, 3-compartment. 3 APMT5 cover plates can be installed. For the installation of 3 UT4 universal supports for 9 individual installation devices with support ring/support clamp or 12 Modul 45 devices.

Type	Dim. h mm	Floor covering thickness mm	Floor height mm	Material	Pack Piece	Weight kg/100 pc.	Item no.
RKFNSL 9 VMSL1N16	100	16	100-150	A2	1	501.000	7409388
RKFNSL 9 VMSL1N21	105	21	105-155	A2	1	514.000	7409390



Height-adjustable round heavy-duty cassette

Installation principle

- 1 Heavy-duty support
- 2 Heavy-duty mounting lid
- 3 Height-adjustable round cassette for tube body
- 4 Tube body
- 5 Height-adjustable round heavy-duty cassette for inspection opening
- 6 Threaded sleeve



Gebäudeinstallation Unterflurwendungen / en / 2021/06/25 08:42:28 08:42:28 (LLExpert_02924) / 2021/06/25 08:42:45 08:42:45

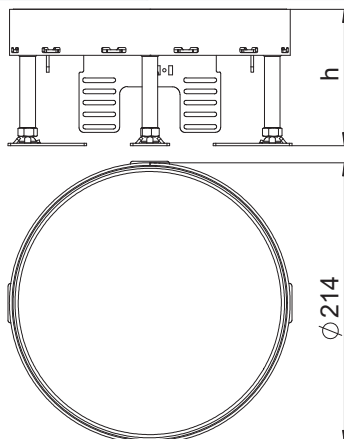
Service outlets and cassettes for underfloor applications



Height-adjustable heavy-duty cassette, blank, RKRSL, nominal size R4, stainless steel



Type	Dim. h mm	Floor covering thickness mm	Floor height mm	Material	Pack Piece	Weight kg/100 pc.	Item no.
RKR2 4SL2 V2 20	105	20	105-155	A2	1	559.000	7409072
RKR2 4SL2 V2 25	109	25	109-159	A2	1	624.000	7409074



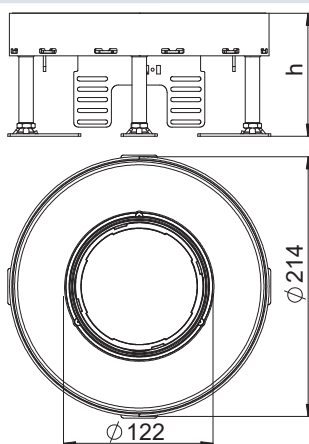
Round, "blank", heavy-duty cassette of nominal size R4 for the creation of an inspection opening in trunking systems, raised and cavity floors, in dry or wet-care floors for indoor use. Load class 2 to 20 kN. Only suitable for smooth floor coverings.

Height-adjustable heavy-duty cassette as a blind cassette with a load bearing capacity of 2–20 kN, 2-compartment. 2 APMT2 cover plates can be installed. For the installation of 2 UT3 universal supports for 4 individual installation devices with support ring/support clamp or 6 Modul 45 devices for indoor use.

Height-adjustable heavy-duty cassette for tube body RKFRSL, nominal size R4, stainless steel



Type	Dim. h mm	Floor covering thickness mm	Floor height mm	Material	Pack Piece	Weight kg/100 pc.	Item no.
RKFR2 4 SL2V2 20	110	20	105-155	A2	1	604.000	7409462
RKFR2 4 SL2V2 25	114	25	109-159	A2	1	669.000	7409464



Round heavy-duty cassette for tube body of nominal size R4 for the installation of accessories in trunking systems, raised and cavity floors, in dry or wet-cleaned floors indoors. Load class 2 to 20 kN.

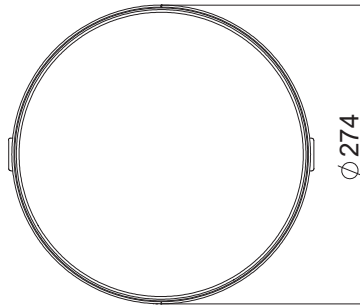
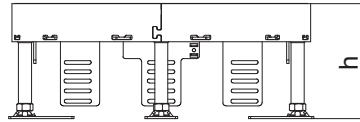
Height-adjustable heavy-duty cassette with tube body with a load bearing capacity of 2–20 kN, 2-compartment. 2 APMT2 cover plates can be installed. For the installation of 2 UT3 universal supports for 4 individual installation devices with support ring/support clamp or 6 Modul 45 devices.



VA

Height-adjustable heavy-duty cassette, blank, RKRSL, nominal size R7, stainless steel

Type	Dim. h mm	Floor covering thickness mm	Floor height mm	Material	Pack Piece	Weight kg/100 pc.	Item no.
RKR2 7SL2 V2 25	109	25	109-159	A2	1	966.000	7409094



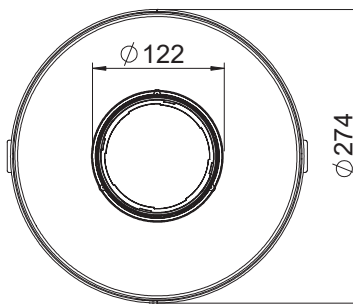
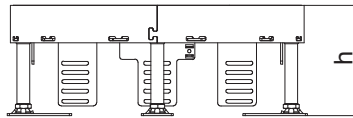
Round, "blank", heavy-duty cassette of nominal size R7 for the creation of an inspection opening in trunking systems, raised and cavity floors, in dry or wet-cleaned floors for indoor use. Load class 2 to 20 kN. Only suitable for smooth floor coverings.

Height-adjustable heavy-duty cassette as a blind cassette with a load bearing capacity of 2–20 kN, 3-compartment for indoor use. 2 APMT2 cover plates and 1 APMT5 cover plate can be installed. For the installation of 2 UT3 universal supports and one UT4 universal support for 7 individual installation devices with support ring/support clamp or 10 Modul 45 devices.

VA

Height-adjustable heavy-duty cassette for tube body RKFRSL, nominal size R7, stainless steel

Type	Dim. h mm	Floor covering thickness mm	Floor height mm	Material	Pack Piece	Weight kg/100 pc.	Item no.
RKFR2 7 SL2V2 25	114	25	109-159	A2	1	947.000	7409468



Round heavy-duty cassette for tube body of nominal size R7 for the installation of accessories in trunking systems, raised and cavity floors, in dry or wet-cleaned floors indoors. Load class 2 to 20 kN.

Height-adjustable heavy-duty cassette with tube body with a load bearing capacity of 2–20 kN, 2-compartment. Two APMT2 cover plates and one APMT5 cover plate can be installed. For the installation of 2 UT3 universal supports and one UT4 universal support for 7 individual installation devices with support ring/support clamp or 10 Modul 45 devices.



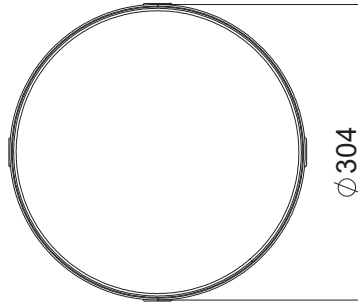
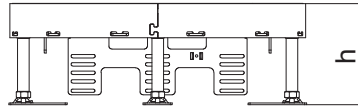
Height-adjustable heavy-duty cassette, blank, RKRSL, nominal size R9, stainless steel



Round, "blank", heavy-duty cassette of nominal size R9 for the creation of an inspection opening in trunking systems, raised and cavity floors, in dry or wet-cleaned floors for indoor use. Load class 2 to 20 kN. Only suitable for smooth floor coverings.

Height-adjustable heavy-duty cassette as a blind cassette with a load bearing capacity of 2–20 kN, 3-compartment. 3 APMT5 cover plates can be installed. For the installation of 3 UT4 universal supports for 9 individual installation devices with support ring/support clamp or 12 Modul 45 devices.

Type	Dim. h mm	Floor covering thickness mm	Floor height mm	Material	Pack Piece	Weight kg/100 pc.	Item no.
RKR2 9SL2 V2 20	105	20	105-155	A2	1	664.000	7409112
RKR2 9SL2 V2 25	109	25	109-159	A2	1	620.000	7409114



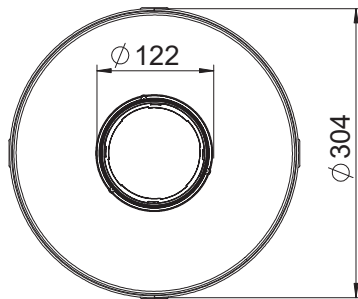
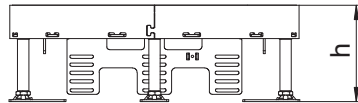
Height-adjustable heavy-duty cassette for tube body RKFRSL, nominal size R9, stainless steel



Round heavy-duty cassette for tube body of nominal size R9 for the installation of accessories in trunking systems, raised and cavity floors, in dry or wet-cleaned floors. Load class 2 to 20 kN.

Height-adjustable heavy-duty cassette with tube body with a load bearing capacity of 2–20 kN, 3-compartment. 3 APMT5 cover plates can be installed. For the installation of 3 UT4 universal supports for 9 individual installation devices with support ring/support clamp or 12 Modul 45 devices.

Type	Dim. h mm	Floor covering thickness mm	Floor height mm	Material	Pack Piece	Weight kg/100 pc.	Item no.
RKFR2 9 SL2V2 20	110	20	105-155	A2	1	589.000	7409470
RKFR2 9 SL2V2 25	114	25	109-159	A2	1	647.000	7409472



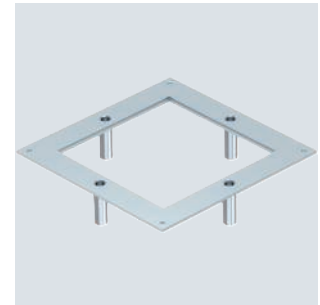
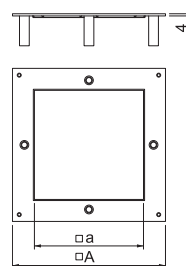
St FS

Heavy-duty mounting lid for 250-3, nominal size 4

Type	Dim. A	Dim. a	Pack Piece	Weight kg/100 pc.	Item no.
	mm	mm			
DUG 250-3 4SL	282	201	1	146.500	7401404

The heavy-duty mounting lid for the type UZD250-3 underfloor box is suitable for installation in a square heavy-duty cassette of nominal size 4. The installation opening is recessed by 3 mm and can be closed subsequently by a lid blanking plate.

The height adjustment units must be ordered separately.



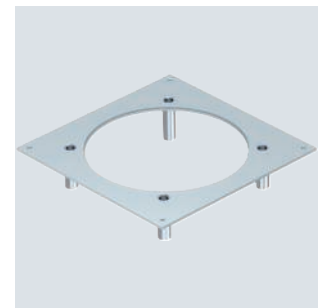
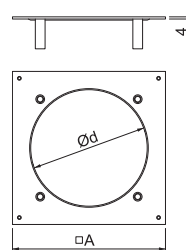
St FS

Heavy-duty mounting lid for 250-3, nominal size R4

Type	Dim. A	Dimension d Ø	Pack Piece	Weight kg/100 pc.	Item no.
	mm	mm			
DUG 250-3 R4SL	282	215	1	159.300	7401406

The heavy-duty mounting lid for the UZD250-3 underfloor box is suitable for the installation of a round heavy-duty cassette of nominal size R4. The installation opening is recessed by 3 mm and can be closed subsequently by a lid blanking plate.

The height adjustment units must be ordered separately.



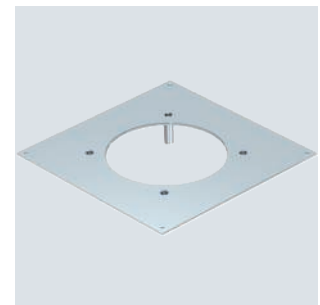
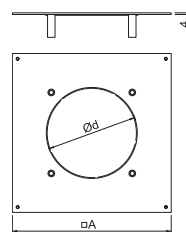
St FS

Heavy-duty mounting lid for 350-3, nominal size R4

Type	Dim. A	Dimension d Ø	Pack Piece	Weight kg/100 pc.	Item no.
	mm	mm			
DUG 350-3 R4SL	383	215	1	370.400	7401412

The heavy-duty mounting lid for the UZD350-3 underfloor box is suitable for the installation of a round heavy-duty cassette of nominal size R4. The installation opening is recessed by 3 mm and can be closed subsequently by a lid blanking plate.

The height adjustment units must be ordered separately.



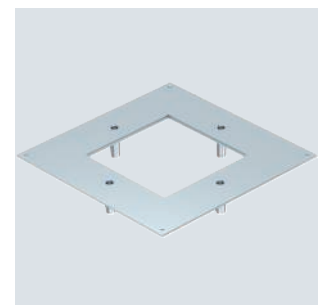
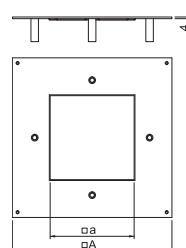
St FS

Heavy-duty mounting lid for 350-3, nominal size 4

Type	Dim. A	Dim. a	Pack Piece	Weight kg/100 pc.	Item no.
	mm	mm			
DUG 350-3 4SL	383	201	1	355.600	7401408

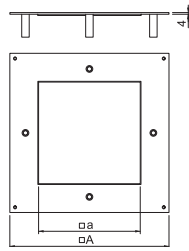
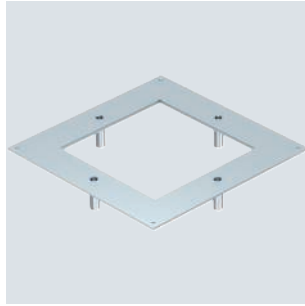
The heavy-duty mounting lid for the type UZD350-3 underfloor box is suitable for installation in a square heavy-duty cassette of nominal size 4. The installation opening is recessed by 3 mm and can be closed subsequently by a lid blanking plate.

The height adjustment units must be ordered separately.



Heavy-duty mounting lid for 350-3, nominal size 9

St FS



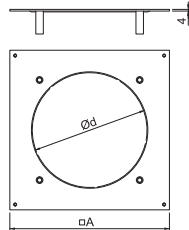
Type	Dim.	Dim.	Pack Piece	Weight kg/100 pc.	Item no.
	A mm	a mm			
DUG 350-3 9SL	383	244	1	294.400	7401410

The heavy-duty mounting lid for the type UZD350-3 underfloor box is suitable for installation in a square heavy-duty cassette of nominal size 9. The installation opening is recessed by 3 mm and can be closed subsequently by a lid blanking plate.

The height adjustment units must be ordered separately.

Heavy-duty mounting lid for 350-3, nominal size R7

St FS



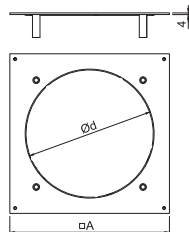
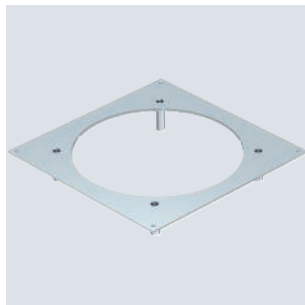
Type	Dim.	Dimen-	Pack Piece	Weight kg/100 pc.	Item no.
	A mm	sion d Ø mm			
DUG 350-3 R7SL	383	275	1	370.400	7401414

The heavy-duty mounting lid for the UZD350-3 underfloor box is suitable for the installation of a round heavy-duty cassette of nominal size R7. The installation opening is recessed by 3 mm and can be closed subsequently by a lid blanking plate.

The height adjustment units must be ordered separately.

Heavy-duty mounting lid for 350-3, nominal size R9

St FS



Type	Dim.	Dimen-	Pack Piece	Weight kg/100 pc.	Item no.
	A mm	sion d Ø mm			
DUG 350-3 R9SL	383	305	1	252.500	7401416

The heavy-duty mounting lid for the UZD350-3 underfloor box is suitable for the installation of a round heavy-duty cassette of nominal size R9. The installation opening is recessed by 3 mm and can be closed subsequently by a lid blanking plate.

The height adjustment units must be ordered separately.



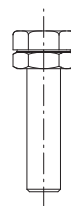
St G

Height adjustment unit for heavy-duty mounting lid

Type	Screed height mm	Pack PU	Weight kg/100 PUs	Item no.
DUG SL75	75-110	1	24.917	7409680
DUG SL105	105-140	1	36.184	7409682
DUG SL135	135-170	1	44.632	7409684
DUG SL165	165-200	1	53.586	7409686
DUG SL195	195-230	1	62.041	7409688

The height adjustment units rated for increased load requirements permit the screed-flush height adjustment of the heavy-duty mounting lid and are to be ordered separately.

The VPE consists of four height adjustment units.



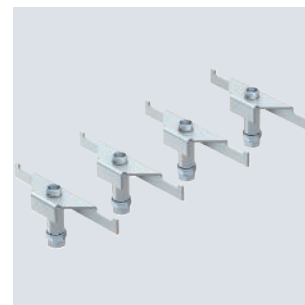
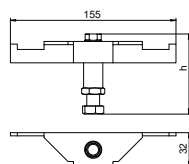
St FS

DSSL heavy-duty support

Type	Screed height mm	Pack PU	Weight kg/100 PUs	Item no.
DSSL2 75	75-110	1	97.840	7410581
DSSL2 105	105-140	1	111.040	7410583
DSSL2 135	135-170	1	121.840	7410585
DSSL2 165	165-200	1	132.640	7410587
DSSL2 195	195-230	1	143.840	7410589

The heavy-duty supports reinforce the corner areas of the type UZD-3 underfloor box for increased load requirements.

The VPE consists of four heavy-duty supports.



Lifter

Suction lifter, 80 N



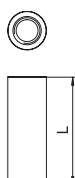
Type	Pack Piece	Weight kg/100 pc.	Item no.
SGH 50	1	3.700	7368593

Suction lifter for lifting out cassettes (blank or tube body variants) with inserted hard bases with a smooth surface. Support force 80 N.

Threaded sleeves

Threaded sleeve for height-adjustable cassette

VA

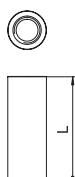


Type	Dim. L mm	Floor covering thickness mm	Pack Piece	Weight kg/100 pc.	Item no.
GH N 20	20	20	1	1.534	7406865
GH N 25	25	25	1	1.874	7406866

Threaded sleeves for retro-installation in cassettes.

Threaded sleeve for heavy-duty frame cassette

VA

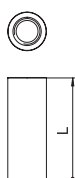


Type	Dim. L mm	Floor covering thickness mm	Pack Piece	Weight kg/100 pc.	Item no.
GH RK SL20	14	14	1	1.134	7406859
GH RK SL25	19	19	1	1.474	7406860
GH RK SL30	24	24	1	1.804	7406861
GH RK SL40	34	34	1	2.404	7406862

Threaded sleeves for retro-installation in heavy-duty frame cassettes.

Threaded sleeve for height-adjustable, round heavy-duty cassette

VA



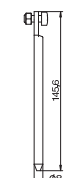
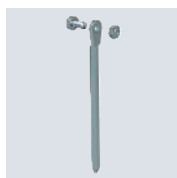
Type	Dim. L mm	Floor covering thickness mm	Pack Piece	Weight kg/100 pc.	Item no.
GH NR SL20	21	20	1	1.350	7406870
GH NR SL25	25	25	1	1.610	7406871

Threaded sleeves for retro-installation in round heavy-duty cassettes.

Fitter

Fitter for height-adjustable cassette

St FS



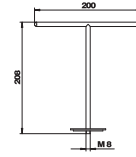
Type	Nominal size	Pack Piece	Weight kg/100 pc.	Item no.
AS 4	4	1	4.200	7406948
AS 9	9	1	7.970	7406952

Lid put up for holding up the square, height-adjustable cassette, with cord outlet.

Mounting key with threaded sleeve

Type	Pack Piece	Weight kg/100 pc.	Item no.
WZ 1022	1	21.350	7408626

For lifting out cassettes equipped with a threaded sleeve.



Tube body

The tube body is inserted in cassettes intended for wet-cleaned floors. When in use, the tube body offers protection against water gushes of up to 10 mm and, when not in use, can be closed to carry traffic loads. Thus, the tube body fulfils all the requirements of the standard regarding moisture protection.

- Use in wet-care floors
- Three different tube body variants: with cover plate, with cover plate and handle clamp or with floor covering recess and handle clamp



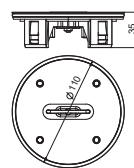
- High-quality materials
- Lowerable to be flush-floor
- Suitable for high traffic loads
- Mounting option for large-volume connector systems, e.g. CEE connector

Zn N

Tube body with floor covering recess, with handle clamp, for frame cassette and height-adjustable cassette

Type	Pack Piece	Weight kg/100 pc.	Item no.
TUK2 G4	1	45.000	7428142

Height-adjustable cord outlet for installation in RKF frame cassettes and in height-adjustable round and square RKFR and RKFN cassettes. Raised height when used, flushfloor when unused. Use in wet-care floors. With 4 mm floor covering recess for construction-side panelling with cut resistant floor covering, with handle clamp.

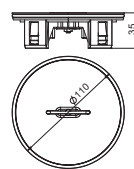


Zn N

Tube body with cover plate, with handle clamp, for frame cassette and height-adjustable cassette

Type	Pack Piece	Weight kg/100 pc.	Item no.
TUK2 GV	1	59.000	7428140

Height-adjustable cord outlet for installation in RKF frame cassettes and in height-adjustable round and square RKFR and RKFN cassettes. Raised height when used, flushfloor when unused. Use in wet-care floors. Tube body cover and handle made of V2A.

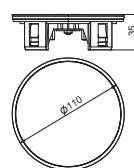


Zn N

Tube body with cover plate, without handle clamp, for frame cassette and height-adjustable cassette

Type	Pack Piece	Weight kg/100 pc.	Item no.
TUK2 V	1	59.000	7428141

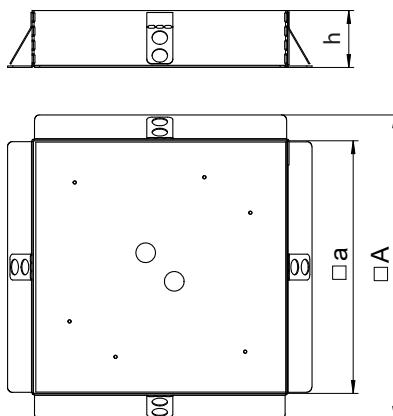
Height-adjustable cord outlet for installation in RKF frame cassettes and in height-adjustable round and square RKFR and RKFN cassettes. Raised height when used, flushfloor when unused. Use in wet-care floors. Tube body cover made of V2A.



Terrazzo lined body for height-adjustable cassettes, nominal size 9



Type	Dim.	Dim.	Dim.	Nominal size	Pack Piece	Weight kg/100 pc.	Item no.
	a	A	h				
SK RK9	247	297	55	9	1	190.000	7404372

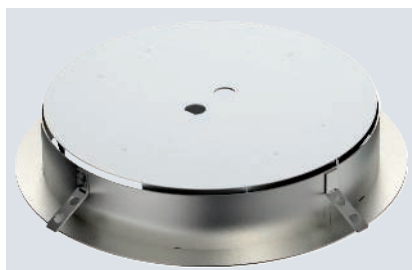


Lined body, suitable for polishing, for the direct and jointless installation of height-adjustable cassettes, nominal size 9, into surface-finished screeds/terrazzo floorings.

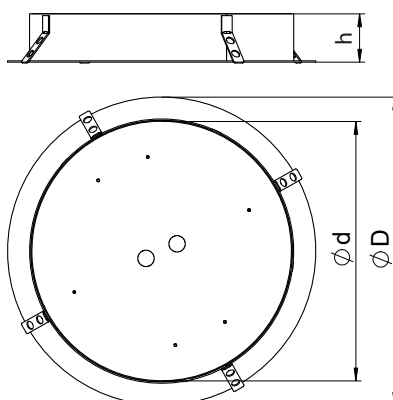
The casing is laid floatingly onto underfloor boxes with mounting lids of nominal size 9, closing the gaps between underfloor box and cassette frame.

The protection cover made from aluminium sheet is put into the cassette frame as a dummy before the screed work is done and can be polished over with the screed or terrazzo.

Terrazzo lined body for height-adjustable cassettes, nominal size R9



Type	Dim.	Dim.	Dim.	Nominal size	Pack Piece	Weight kg/100 pc.	Item no.
	d	D	h				
SK RKR9	308	360	55	R9	1	220.000	7404376

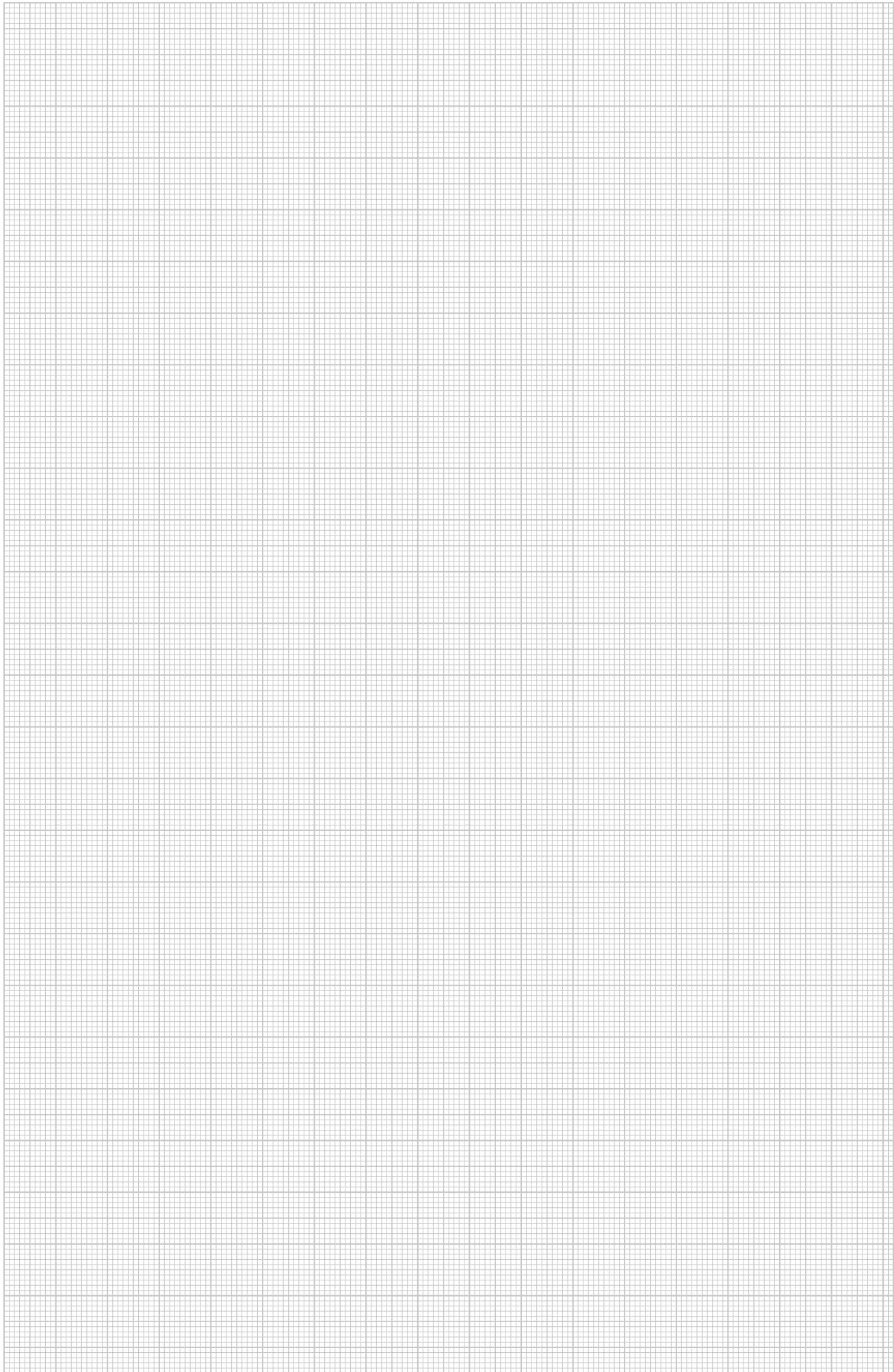


Lined body, suitable for polishing, for the direct and jointless installation of round height-adjustable cassettes, nominal size 9, into surface-finished screeds/terrazzo floorings.

The casing is laid floatingly onto underfloor boxes with mounting lids of nominal size 9, closing the gaps between underfloor box and cassette frame.

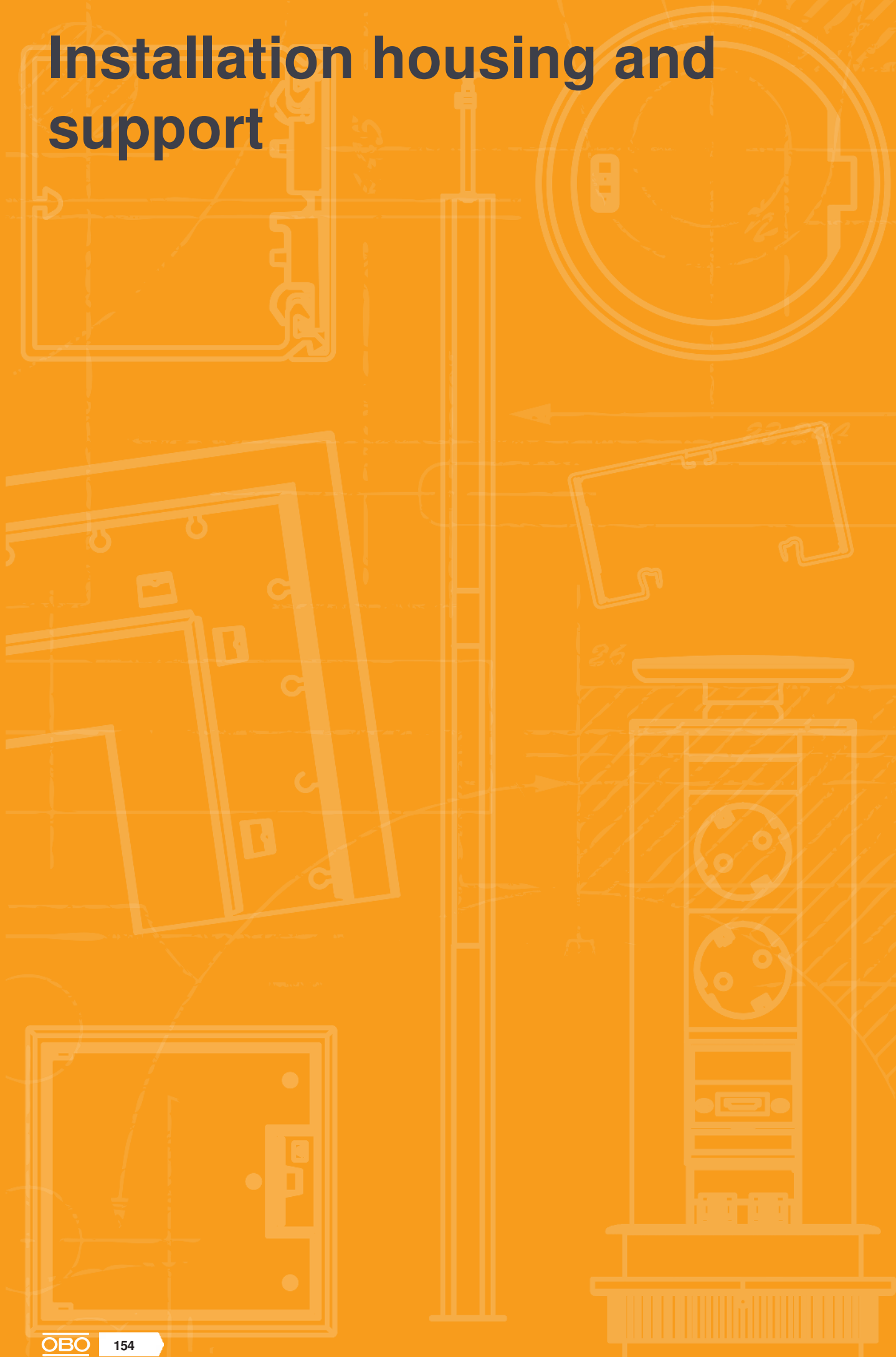
The protection cover made from aluminium sheet is put into the cassette frame as a dummy before the screed work is done and can be polished over with the screed or terrazzo.







Installation housing and support



Installation housing and support



Universal support

156



Module support

166



Mounting support

170





Installation principle, universal support

The type of cover plate determines which installation devices can be inserted in the universal support and which device distribution is possible. When specifying the device equipment, the different sizes and combination options of the cover plates in the universal support must be taken into account.

Universal support UT3

1. Combination with two cover plates 1/2 division (2x 82.5 mm)
2. Combination of cover plates with 1/3 and 2/3 division (61 mm + 104 mm)
3. Cover plate with 3/3 division (165 mm)

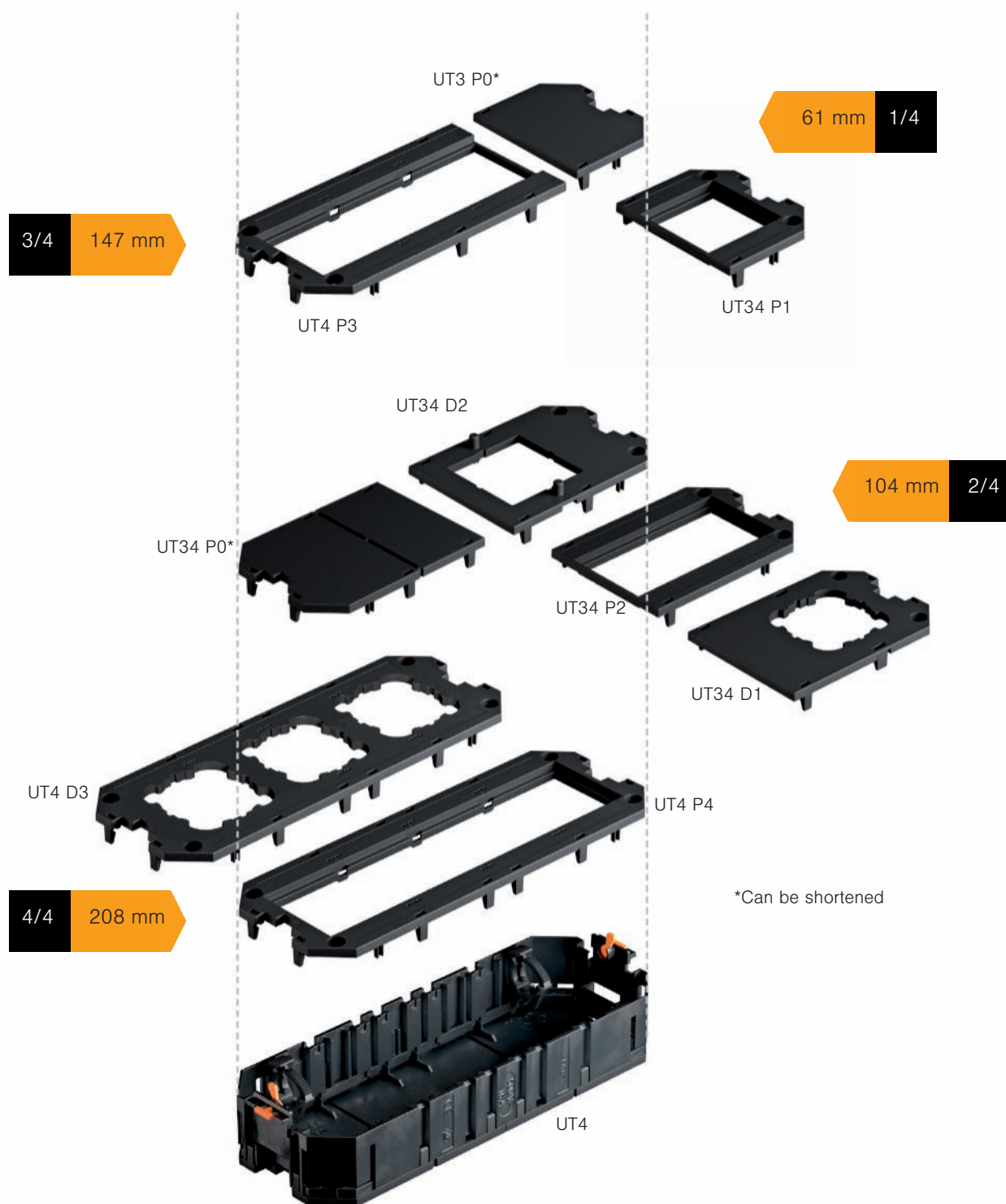


The cover plates UT3 P0 and UT34 P0 can be shortened for different installation dimensions. They can thus be used in a variable manner, making storage simpler and more efficient.



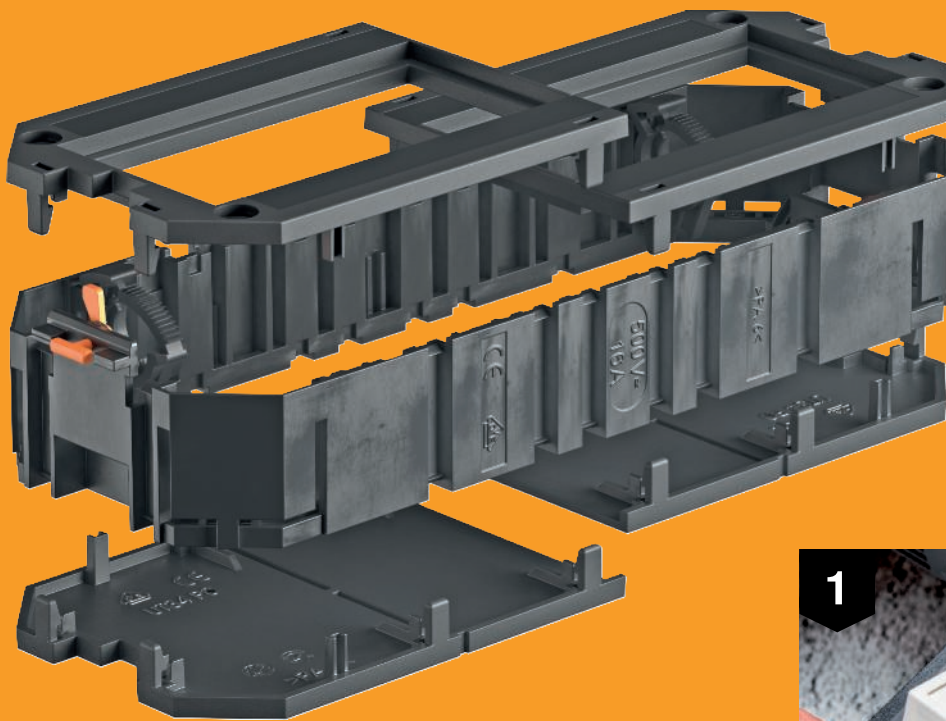
Universal support UT4

1. Combination of cover plates with 1/4 and 3/4 division (61 mm + 147 mm)
2. Combination with two cover plates 2/4 division (2 x 104 mm)
3. Cover plate with 4/4 division (208 mm)



Thought-through

The UT3 & UT4 universal supports



Mounting without tools

Removable floor plates

Support frame with innovative turn buckle

Modular structure and flexibly equipped: The universal supports for underfloor systems. The compact OBO Modul 45® installation devices, as well as standard installation devices with a 50 mm central plate, are suitable for installation. Sockets, data technology and multimedia elements can be combined in any number of ways in the universal support.



Installation in only a few steps – the universal support is fixed with the innovative turn buckle in the locking ladder of an installation device or a cassette.

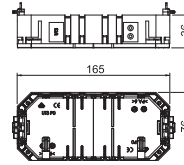
PA

UT3 universal support, without cover plate, system length 165 mm

Type	Length mm	Width mm	Height mm	Pack Piece	Weight kg/100 pc.	Item no.
UT3	165	76	36	1	7.300	7408721

Universal support with two strain reliefs for electrical installations in device installation units of nominal sizes 2, R4, 4, 6 and R7 in indoor areas.

Cover plates and accessories should be ordered separately.

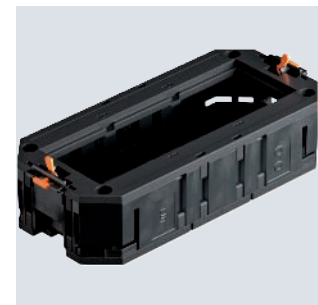
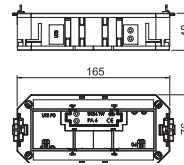


PA

UT3 universal support, with cover plate for Modul 45® devices, system length 165 mm

Type	Length mm	Installation technology	Width mm	Height mm	Pack Piece	Weight kg/100 pc.	Item no.
UT3 45 3	165	Grid M45	76	40	1	10.600	7408723

Universal support with two strain reliefs, mounting bridges, partition and cover plate UT3 P3 for the installation 3 of Modul 45 devices in device installation units of the nominal sizes 2, R4, 4 and R7.



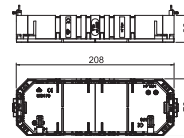
PA

UT4 universal support, without cover plate, system length 208 mm

Type	Length mm	Width mm	Height mm	Pack Piece	Weight kg/100 pc.	Item no.
UT4	208	76	36	1	10.600	7408725

Universal support with two strain reliefs for electrical installation in device installation units of nominal sizes R7, R9 and 9.

Cover plates and accessories should be ordered separately.



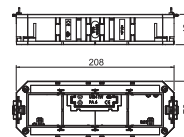
PA

UT4 universal support, with cover plate for Modul 45® devices, system length 208 mm

Type	Length mm	Width mm	Height mm	Pack Piece	Weight kg/100 pc.	Item no.
UT4 45 4	208	76	40	1	13.500	7408727

Universal support with two strain reliefs, mounting bridges, partition and UT4 P4 cover plate for installation of 4 Modul 45 devices in device installation units of nominal sizes R7, R9 and 9.

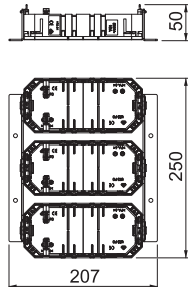
Universal support with two strain reliefs, partition and UT 4 P4 cover plate for installation of 4 Modul 45 devices in OKB IT device supports.



Universal support mounting set

Mounting set for UZD250-3

St FS

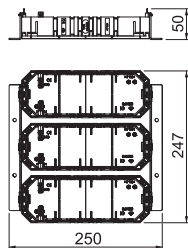


Type	Pack	Weight	Item no.
	Piece	kg/100 pc.	
MS3 3UT3	1	49.400	7407651

Mounting set with three universal supports of type UT3 for installation in the underfloor junction and branch box UZD250-3.
Cover plates should be ordered separately.

Mounting set for UZD350-3

St FS



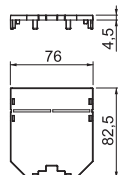
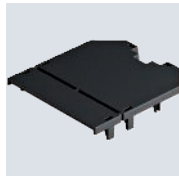
Type	Pack	Weight	Item no.
	Piece	kg/100 pc.	
MS3 3UT4	1	55.000	7407655

Mounting set with three universal supports of type UT4 for installation in the underfloor junction and branch box UZD350-3.
Cover plates should be ordered separately.

Covers

Cover plate for universal support UT3, blank

PA

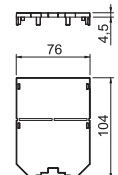
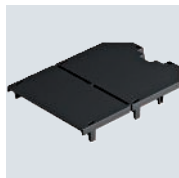


Type	Length mm	Installation technology	Division in UT3	Division in UT4	Pack	Weight	Item no.
					Piece	kg/100 pc.	
UT3 P0	82.5	Grid M45	1/2		10	1.600	7408743

Cover plate, blank, for closing off unused installation space of the UT3 universal support.
Plate can be reduced to 61 mm are required.

Cover plate for universal support UT3 and UT4, blank

PA



Type	Length mm	Installation technology	Division in UT3	Division in UT4	Pack	Weight	Item no.
					Piece	kg/100 pc.	
UT34 P0	104	Grid M45	2/3	2/4	10	2.000	7408745

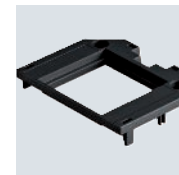
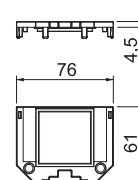
Cover plate, blank, for closing off unused installation space of the UT3 and UT4 universal support.
Plate can be reduced to 61 mm as required.

PA

Cover plate for universal support UT3 and UT4, Modul 45® installation opening

Type	Length mm	Installation technology	Division in UT3	Division in UT4	Pack Piece	Weight kg/100 pc.	Item no.
UT34 P1	61	Grid M45	1/3	1/4	10	0.916	7408771

Cover plate for the installation of 1 Modul 45.

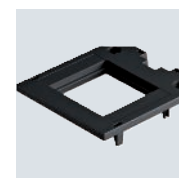
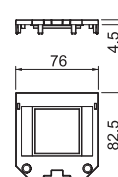


PA

Cover plate for universal support UT3, Modul 45® installation opening

Type	Length mm	Installation technology	Division in UT3	Pack Piece	Weight kg/100 pc.	Item no.
UT3 P1	82.5	Grid M45	1/2	10	1.400	7408751

Cover plate for the installation of 1 Modul 45.

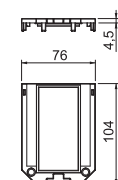


PA

Cover plate for universal support UT3 and UT4, Modul 45® installation opening

Type	Length mm	Installation technology	Division in UT3	Division in UT4	Pack Piece	Weight kg/100 pc.	Item no.
UT34 P2	104	Grid M45	2/3	2/4	10	1.320	7408773

Cover plate for the installation of 2 Modul 45.



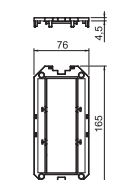
PA

Cover plate for universal support UT3, Modul 45® installation opening

Type	Length mm	Installation technology	Division in UT3	Pack Piece	Weight kg/100 pc.	Item no.
UT3 P3	165	Grid M45	1/1	10	2.300	7408753

Cover plate for the installation of 3 Modul 45.

UT34T mounting bridge for the installation of individual devices or socket combinations must be ordered separately.

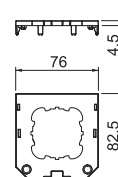


PA

Cover plate for universal support UT3, round installation opening for EKR device

Type	Length mm	Installation technology	Division in UT3	Pack Piece	Weight kg/100 pc.	Item no.
UT3 D1	82.5	50 mm central plate	1/2	10	1.183	7408781

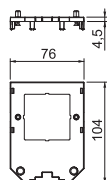
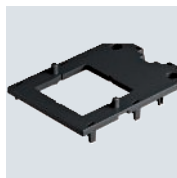
Cover plate for the installation of 1 installation device with 50 mm central plate.



Covers

PA

Cover plate for universal support UT3 and UT4, with installation opening for EKR device, with screw fastening

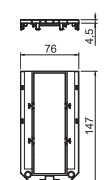


Type	Length mm	Installation technology	Division in UT3	Division in UT4	Pack Piece	Weight kg/100 pc.	Item no.
UT34 D2	104	50 mm central plate	2/3	2/4	10	2.200	7408785

Cover plate for the installation of 1 installation device with 50 mm central plate.

PA

Cover plate for universal support UT4, Modul 45® installation opening



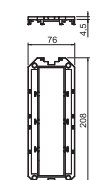
Type	Length mm	Installation technology	Division in UT4	Pack Piece	Weight kg/100 pc.	Item no.
UT4 P3	147	Grid M45	3/4	10	1.800	7408761

Cover plate for the installation of 3 Modul 45.

UT34T mounting bridge for the installation of individual devices or socket combinations must be ordered separately.

PA

Cover plate for universal support UT4, Modul 45® installation opening



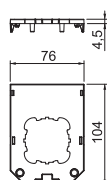
Type	Length mm	Installation technology	Division in UT4	Pack Piece	Weight kg/100 pc.	Item no.
UT4 P4	208	Grid M45	1/1	10	3.100	7408763

Cover plate for the installation of 4 Modul 45

Mounting bridge UT34T for the installation of individual devices or socket combinations should be ordered separately.

PA

Cover plate for universal support UT4, round installation opening for EKR device

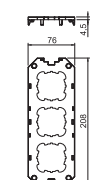


Type	Length mm	Installation technology	Division in UT3	Division in UT4	Pack Piece	Weight kg/100 pc.	Item no.
UT34 D1	104	50 mm central plate	2/3	2/4	10	1.609	7408783

Cover plate for the installation of 1 installation device with 50 mm central plate.

PA

Cover plate for universal support UT4, with installation openings for 3 EK devices



Type	Length mm	Installation technology	Division in UT4	Pack Piece	Weight kg/100 pc.	Item no.
UT4 D3	208	50 mm central plate	1/1	10	2.780	7408789

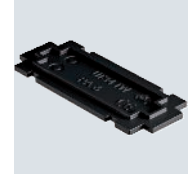
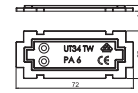
Cover plate for the installation of 3 installation devices with 50 mm central plate

PA

Partition

Type	Pack Piece	Weight kg/100 pc.	Item no.
UT34 TW	10	0.500	7408796

Partition for universal support to separate current types and circuits.

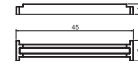


PA

Mounting bridge

Type	Pack Piece	Weight kg/100 pc.	Item no.
UT34 T	10	0.100	7408794

Mounting bridge for installation between Modul45 devices in triple and 4x cover plates.

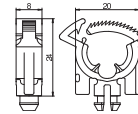


PA

Strain relief

Type	Pack Piece	Weight kg/100 pc.	Item no.
ZE2 3	10	1.400	7408650

Strain relief for use in universal support cover plates, in mounting boxes, module supports and T4L and T8NL Teli-tanks, for standard strain relief of inserted cables.

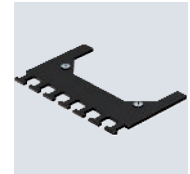
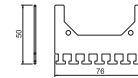


St FS

Strain relief for data technology

Type	Colour	Pack Piece	Weight kg/100 pc.	Item no.
UT ZE	Jet black	1	2.500	7407851

For mounting on UT3 and UT4 universal supports when using Modul 45 data technology as strain relief of data connection cables.

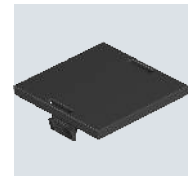
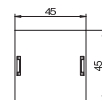
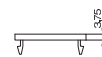


PA

Blanking cover for Modul 45® installation opening

Type	Pack Piece	Weight kg/100 pc.	Item no.
LP 45	10	0.424	7407584

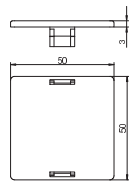
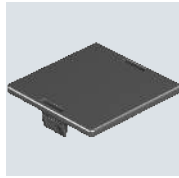
Blanking cover for closing off a square Modul 45 mounting opening in a mounting box cover plate.



Accessories for universal support

Blanking cover for round installation opening

PA

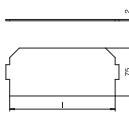
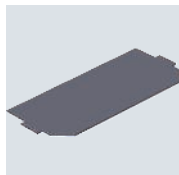


Type	Pack Piece	Weight kg/100 pc.	Item no.
LPR	10	0.497	7407580

Blanking cover for closing off a square mounting opening of \varnothing 45 mm in a mounting box cover plate.

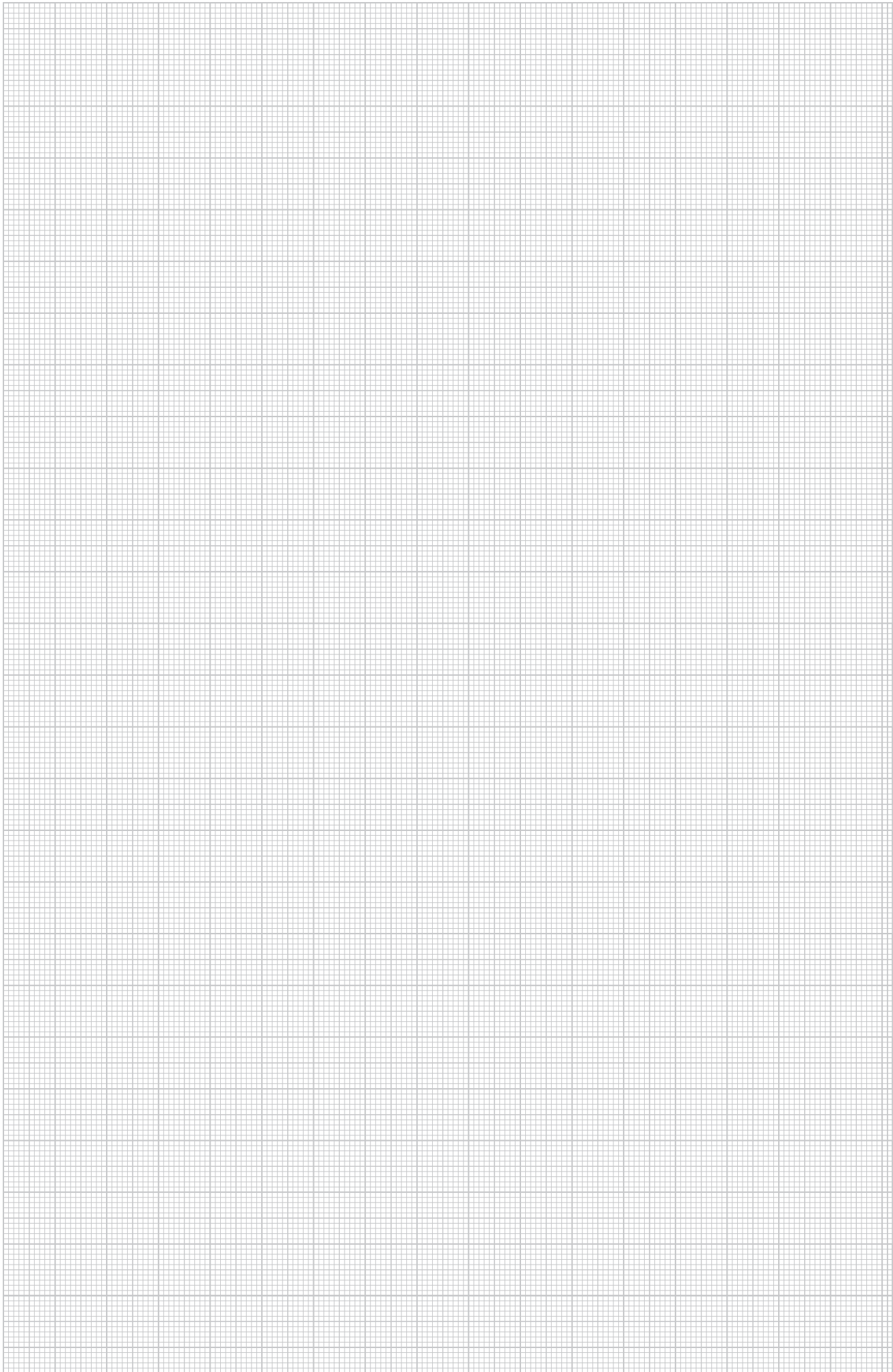
Blanking cover for service outlets and cassettes

PVC



Type	Length mm	Pack Piece	Weight kg/100 pc.	Item no.
LPA GB2	165	1	2.550	7407588
LPA GB3	208	1	3.950	7407592

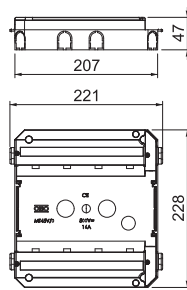
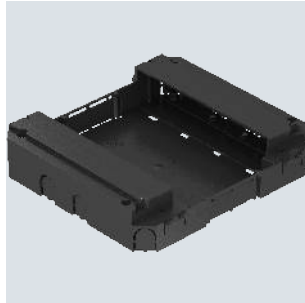
To close an unused installation slot for a universal support in a service outlet or a cassette.



System 55 module support, screed height 55 mm

PA

Module support for vertical installation Modul 45® devices



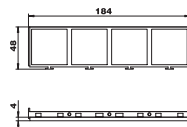
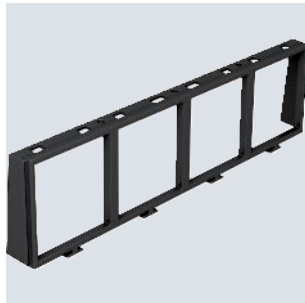
Type	Material	Pack Piece	Weight kg/100 pc.	Item no.
MT45V 0	PA	1	29.000	7408698

Module support for the installation of up to eight Modul 45 devices in an empty standard service outlet or an empty height-adjustable cassette of nominal size 9 or R9. The module support is locked into the locking ladder.

System 55 installation frame, screed height 55 mm

PC/ABS

Installation frame for four single Modul 45® devices



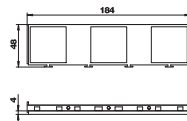
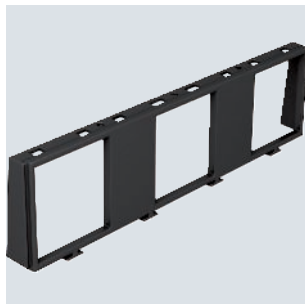
Type	Material	Pack Piece	Weight kg/100 pc.	Item no.
MT45V 4	PC/ABS	5	1.200	7408670

For the installation of 4 individual Modul 45 devices for System 55 service outlet with mounting support for vertical installation of Modul 45 devices.

The installation frame is designed for use with 0° sockets (normal installation position, contact openings on right and left) and their use in conjunction with straight connectors (not angled connectors).

Installation frame for three single Modul 45® devices

PC/ABS



Type	Material	Pack Piece	Weight kg/100 pc.	Item no.
MT45V 3	PC/ABS	5	1.173	7408672

For the installation of 3 individual Modul 45 devices for System 55 service outlet with mounting support for vertical installation of Modul 45 devices.

The installation frame is designed for use with 0° sockets (mounting direction turned through 90°, contact openings at top and bottom) and their use in conjunction with angled and straight connectors.

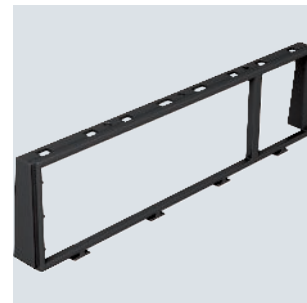
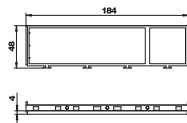
System 55 installation frame, screed height 55 mm

PC/
ABS

Installation frame for combination of 3x and 1x Modul 45® devices

Type	Material	Pack Piece	Weight kg/100 pc.	Item no.
MT45V 3+1	PC/ABS	5	0.900	7408680

For the installation of a combination of triple and single Modul 45 sockets for System 55 service outlets with mounting support for vertical installation of Modul 45 devices. The installation frame is designed for use with 0° sockets for straight connectors (not angled connectors).

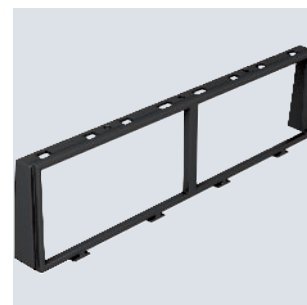
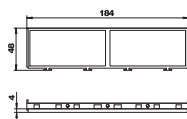


PC/
ABS

Installation frame for combination of 2x and 2x Modul 45® devices

Type	Material	Pack Piece	Weight kg/100 pc.	Item no.
MT45V 2+2	PC/ABS	5	0.900	7408682

For the installation of a combination of double and double Modul 45 sockets for System 55 service outlets with mounting support for vertical installation of Modul 45 devices. The installation frame is designed for use with 0° sockets for straight connectors (not angled connectors).

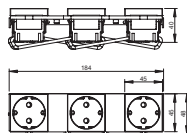


PA

Installation frame for MT45V, terminated with protective contact socket

Type	Colour	Pack Piece	Weight kg/100 pc.	Item no.
MT45V 3 3WS V	Graphite black	1	30.800	7408697

Terminated installation frame with three single sockets, type VDE, for installation in MT45V module supports.



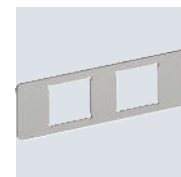
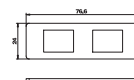
System 55 mounting plates, screed height 55 mm

VA

Mounting plate 2 x data socket type A for System 55

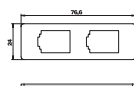
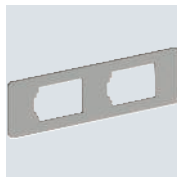
Type	Pack Piece	Weight kg/100 pc.	Item no.
MPMT45 2A	1	1.430	7408701

Mounting plate to accept two connection sockets for data technology of the following types: AMP TYCO: Standard 110Connect, SL Series 110Connect and Toolless, AMP-Twist; Brand-Rex: unshielded module; GG45; TKM RJ MOD; Nexans: LANmark module with Adapter-Clip; Siemon CAT6; 3M K6 and K10. Dimensions of a mounting opening in mm: 20.10 x 14.80.



Mounting plate 2 x data socket type B for System 55

VA



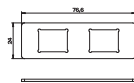
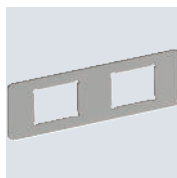
Type
MPMT45 2B

Pack Piece	Weight kg/100 pc.	Item no.
1	1.410	7408703

Mounting plate to accept two connection sockets for data technology of the following types BTR: E-DAT Modul; Dätwyler: MS and MS-N module; Kerpen: VarioKeystone.
Dimensions of a mounting opening in mm: 19.35/21.55 x 14.85.

Mounting plate 2 x data socket type C for System 55

VA



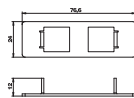
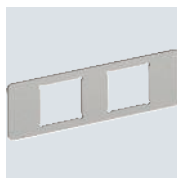
Type
MPMT45 2C

Pack Piece	Weight kg/100 pc.	Item no.
1	1.440	7408705

Mounting plate to accept two connection sockets for data technology of the following types: Brand-Rex: shielded module; EKU: E-Stone module; Dätwyler: KS-T, MS-K and KU-T module; R&M: Snap-In and Keystone module; Rutenbeck: UM and UMflex module; SETEC: MKJ, UKJ and XKJ module; Siemon TERA; Telegärtner: AMJ and UMJ module.
Dimensions of a mounting opening in mm: 19.30 x 14.80.

Mounting plate 2 x data socket type F for System 55

VA



Type
MPMT45 2F

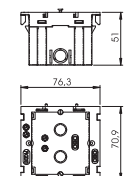
Pack Piece	Weight kg/100 pc.	Item no.
1	1.640	7408707

Mounting plate to accept two connection sockets for data technology, type Avaya/Systemax: M series.
Dimensions of a mounting opening in mm: 17.40 x 16.60.

Device installation solutions for standard installation devices

Accessory mounting box, single, with large installation opening

PA



Type
71GD11

Pack Piece	Weight kg/100 pc.	Item no.
1	4.600	6288532

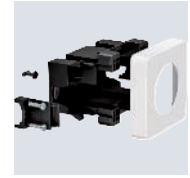
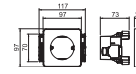
Accessory mounting box to accept standard switching and connection devices in support ring and support clamp versions of all manufacturers. An extra large installation opening means that the box is also suited to accept ELKO devices as well as larger versions of data technology connection sockets. With the data technology application, it is possible to do without the protective housing if necessary.

PA

Accessory mounting box for CEE installation 16 A/32 A

Type	Colour	Pack Piece	Weight kg/100 pc.	Item no.
71GDCEE		1	13.700	6288635

Accessory mounting box for installation of a 5-pole CEE socket, 16 A or 32 A, with four-point fastening track 60 x 60 mm or 70 x 70 mm; with external strain relief for jacketed cables of up to Ø 18 mm; with eccentric lock for quick, screwless fastening.



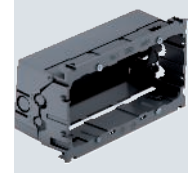
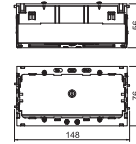
PA

Accessory mounting box, double

Type	Colour	Pack Piece	Weight kg/100 pc.	Item no.
71GD7-2	Iron grey	2	8.200	6288608

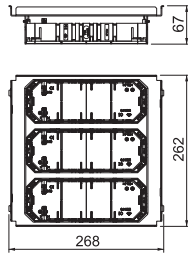
Front locking accessory mounting box for standard switch ranges for the installation of two individual installation devices or a multiple protective contact socket. With unfolding, and also removable, base for time-saving cable connection and with feed openings for cable diameters of up to 14 mm. Halogen-free version.

Vertical fastening track 60 mm.



Mounting set for frame cassettes – MS250-3 3UT4

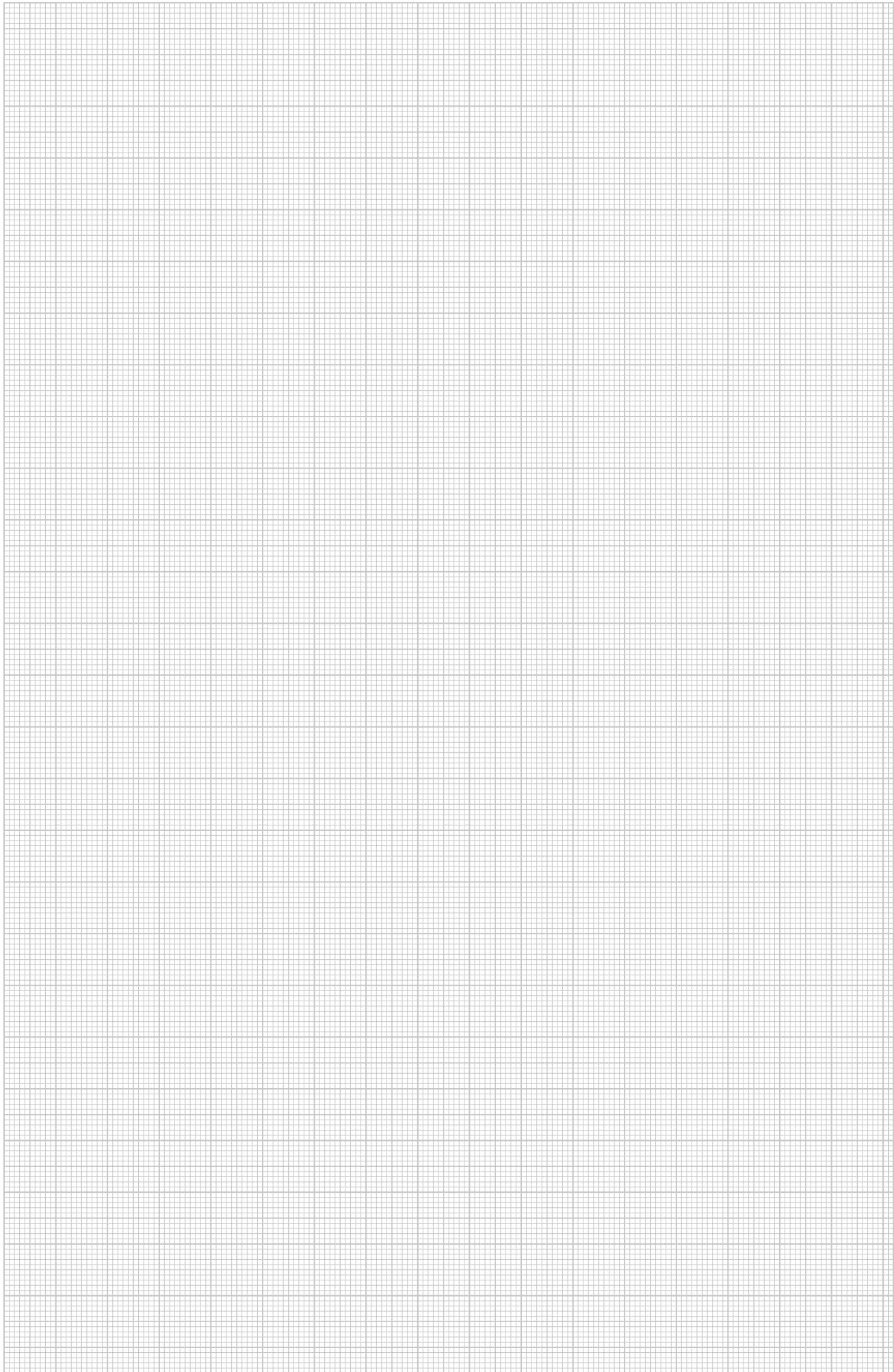
St FS



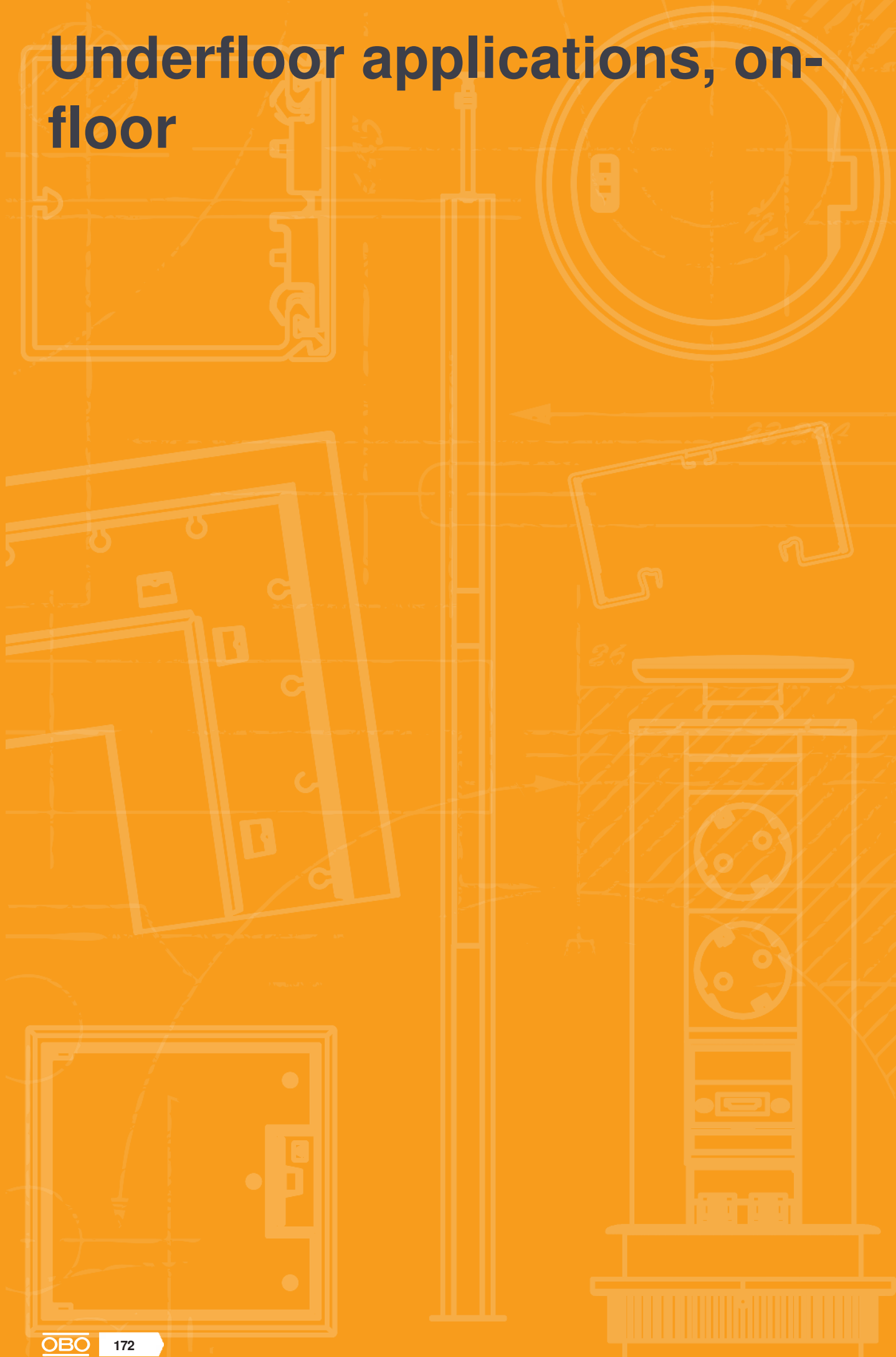
Type	Colour	Pack	Weight	Item no.
		Piece	kg/100 pc.	
MS250-3 3UT4	–	1	73.700	7407643

Mounting set with three universal supports of type UT3 for suspended installation in the underfloor junction and branch box UZD250-3.










Underfloor applications, on-floor



Underfloor applications, on-floor

	On-floor installation trunking	174
	On-floor installation trunking fittings	178
	On-floor installation trunking lid	180
	Accessories, on-floor installation ducts	184
	Telitanks	186
	Accessories, Telitanks	190





On-floor trunking system AIK and Telitank

The AIK on-floor trunking system is installed on the finished floor. The system is particularly useful in places where classic underfloor systems cannot be installed: During building renovation, particularly in

listed buildings. Device installation units above the floor (Telitanks) are used for the installation of electrical devices.

Applications



Old building application

The main area of application of the AIK system is building renovation. Wherever a screed-flush or screed-covered trunking system cannot be used for construction or preservation reasons, the AIK system provides the electrical installation on the floor.



Commercial application

The robust structure and high stability means that the AIK on-floor installation system is also suited to industrial applications, such as workshops or laboratories.



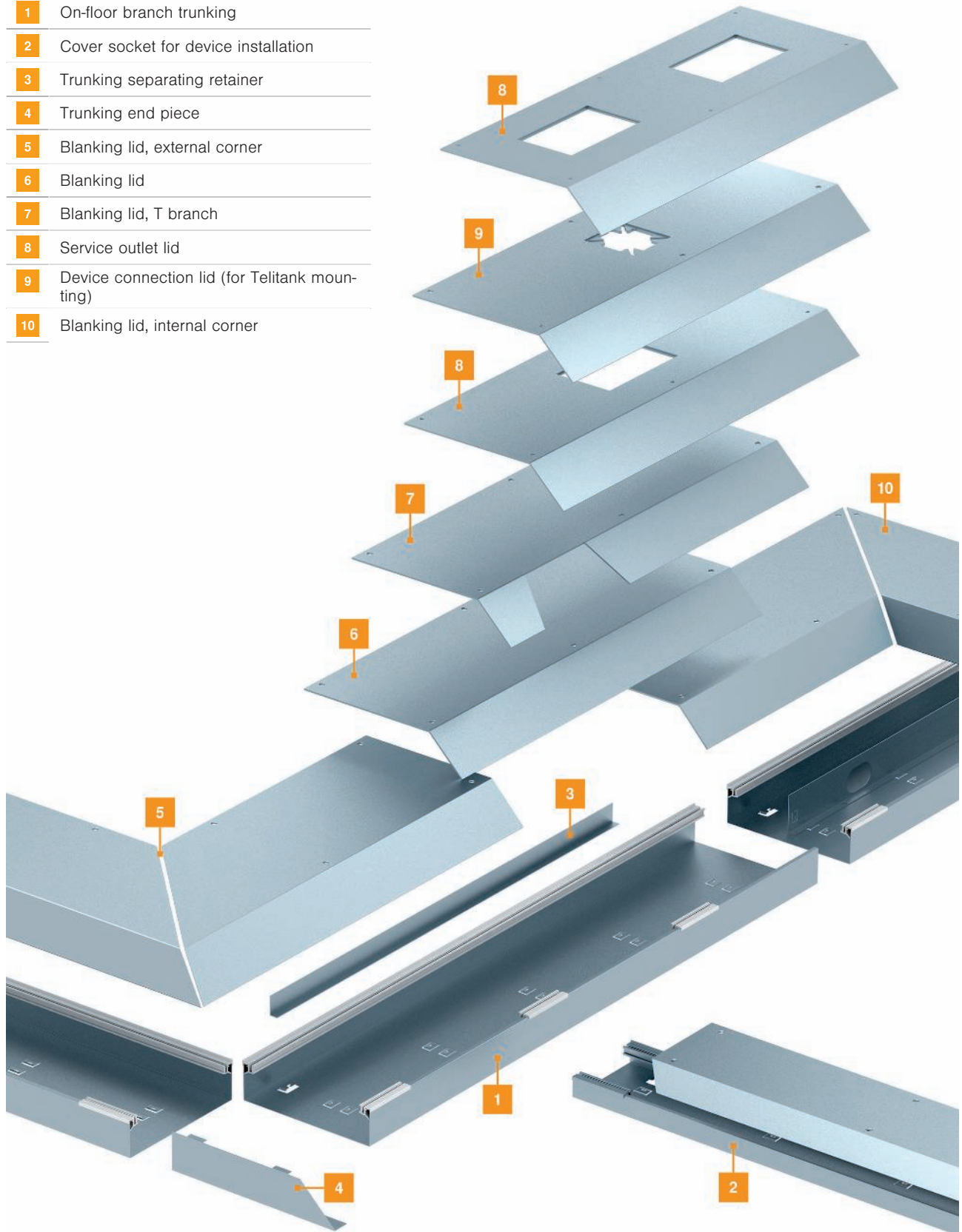
Office application

The AIK on-floor trunking system allows flexible installation at a later date at the edge of office space. The system can also adapt itself rapidly to a changed room situation: The position of the device cover can be changed.

On-floor installation trunking

Installation principle

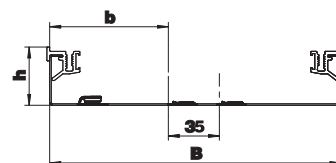
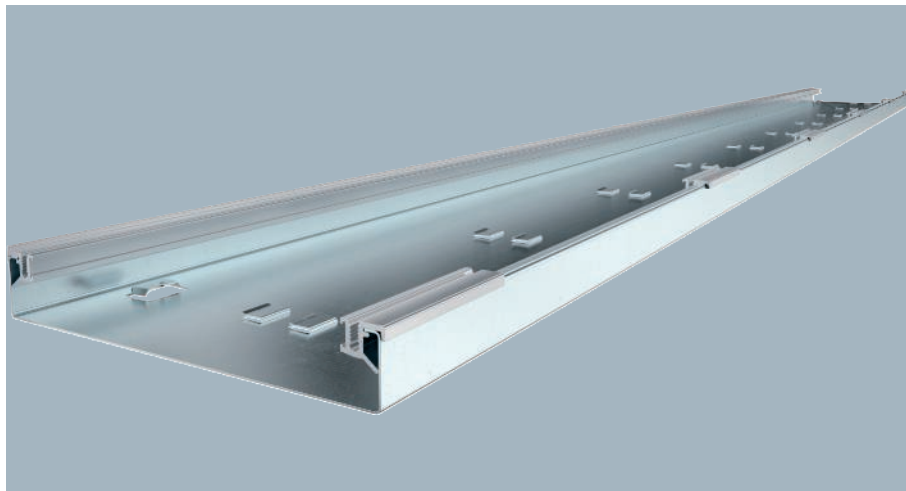
- | | |
|----|---|
| 1 | On-floor branch trunking |
| 2 | Cover socket for device installation |
| 3 | Trunking separating retainer |
| 4 | Trunking end piece |
| 5 | Blanking lid, external corner |
| 6 | Blanking lid |
| 7 | Blanking lid, T branch |
| 8 | Service outlet lid |
| 9 | Device connection lid (for Telitank mounting) |
| 10 | Blanking lid, internal corner |



On-floor installation trunking

St FS

On-floor installation trunking, trunking height 40 mm

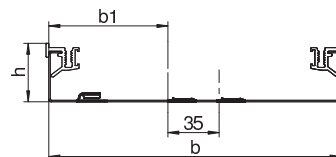


Type	Width mm	Length mm	Trunking height mm	Usable cross- section cm ²	Pack m	Weight kg/100 m	Item no.
AIKU 15040	150	2400	40	45	2.4	234.300	7404700
AIKU 25040	250	2400	40	81	2.4	312.900	7404712

On-floor trunking base, 1 compartment, for blank/mounting lid with slope on one side, with plug-fit aluminium side profiles for layering and fixing the trunking lid, metal floor base with holding shackles for max. two plug-in, self-contacting dividers and groove for earth conductor clamp. Trunking height suitable for installation of Telitanks.

On-floor installation trunking, trunking height 70 mm

St FS

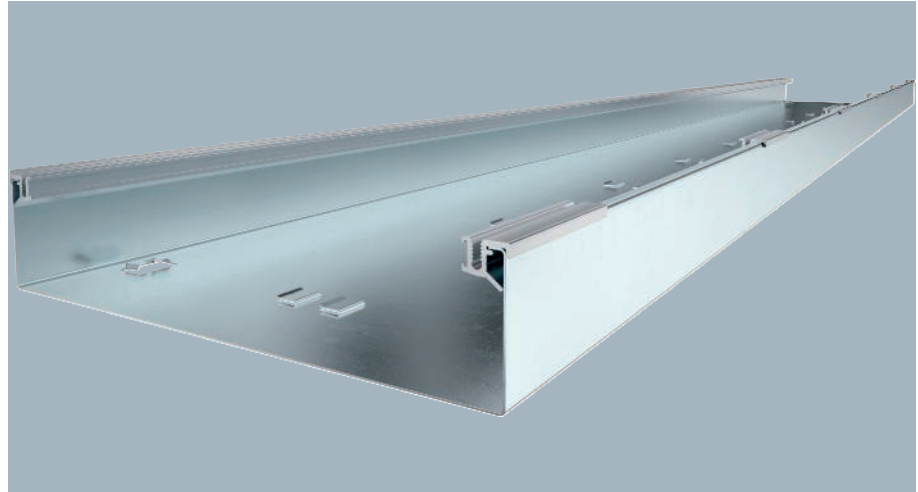
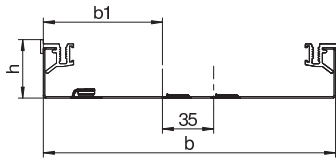


Type	Width mm	Length mm	Trunking height mm	Usable cross- section cm ²	Pack m	Weight kg/100 m	Item no.
AIKU 20070	200	2400	70	132	2.4	320.800	7404708
AIKU 25070	250	2400	70	155	2.4	360.200	7404716

On-floor trunking base, 1 compartment, for blank/mounting lid with slope on one side, with plug-fit aluminium side profiles for layering and fixing the trunking lid, metal floor base with holding shackles for max. two plug-in, self-contacting dividers and groove for earth conductor clamp. Trunking height suitable for installation of service outlets of nominal size 2.

St FS

On-floor installation trunking, trunking height 75 mm



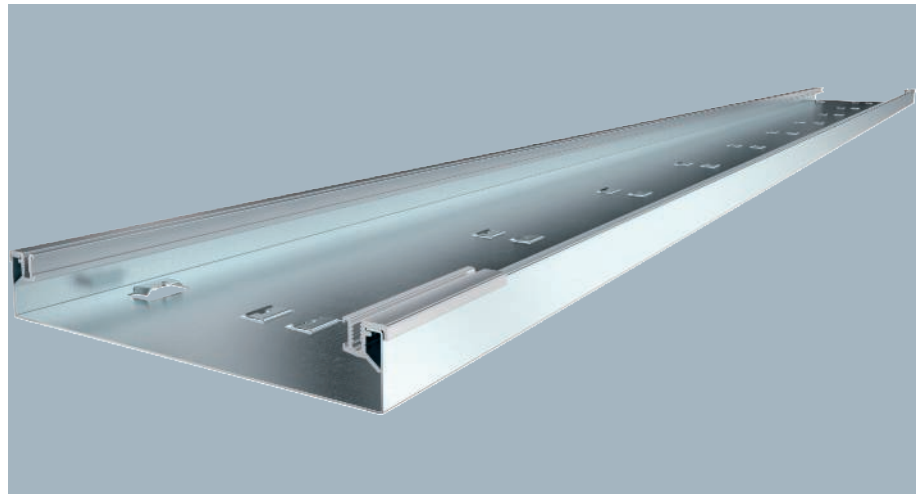
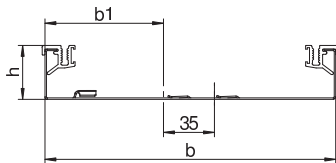
On-floor trunking base, 1 compartment, for blank/mounting lid with slope on one side, with plug-fit aluminium side profiles for layering and fixing the trunking lid, metal floor base with holding shackles for max. two plug-in, self-contacting dividers and groove for earth conductor clamp. Trunking height suitable for installation of Telitanks or service outlets of nominal size 4, 6, 9.

Type	Width mm	Length mm	Trunking height mm	Usable cross- section cm ²	Pack m	Weight kg/100 m	Item no.
AIKU 35075	350	2400	75	248	2.4	445.200	7404720

On-floor branch ducts

St FS

On-floor branch trunking



On-floor junction trunking base for blank/mounting lid with slope on both sides, free on floor for mounting, with plug-fit aluminium side profiles for layering and fixing the trunking lid. Trunking height suitable for installation of Telitanks.

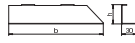
Type	Width mm	Length mm	Trunking height mm	Usable cross- section cm ²	Pack m	Weight kg/100 m	Item no.
AIKA U 15040	150	2400	40	45	2.4	223.100	7404874
AIKA U 25040	250	2400	40	81	2.4	301.700	7404882



Trunking end pieces, right

Trunking end piece, right side

St FS



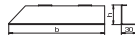
Type	Width mm	Dim. h mm	Trun- king height mm	Pack Piece	Weight kg/100 pc.	Item no.
AIK ESR 15040	150	37	40	1	9.500	7404774
AIK ESR 20070	200	67	70	1	18.650	7404782
AIK ESR 25040	250	37	40	1	15.000	7404786
AIK ESR 25070	250	67	70	1	23.000	7404790
AIK ESR 35075	350	72	75	1	31.400	7404794

Trunking end piece for right blanking of AIK trunking, with connection terminal for protective cable connection.

Trunking end pieces, left

Trunking end piece, left side

St FS



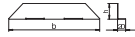
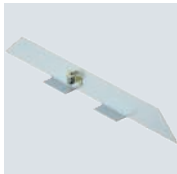
Type	Width mm	Dim. h mm	Trun- king height mm	Pack Piece	Weight kg/100 pc.	Item no.
AIK ESL 15040	150	37	40	1	9.500	7404750
AIK ESL 20070	200	67	70	1	18.650	7404758
AIK ESL 25040	250	37	40	1	15.000	7404762
AIK ESL 25070	250	67	70	1	23.000	7404766
AIK ESL 35075	350	72	75	1	31.400	7404770

Trunking end piece for left blanking of AIK trunking, with connection terminal for protective cable connection.

Trunking end pieces, branch duct

Trunking end piece, branch trunking

St FS



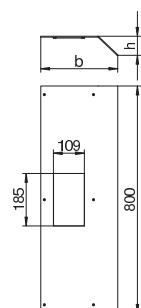
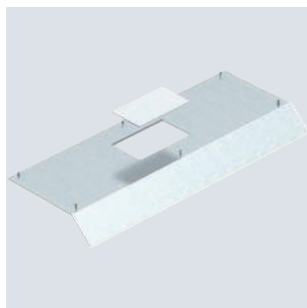
Type	Width mm	Dim. h mm	Trun- king height mm	Pack Piece	Weight kg/100 pc.	Item no.
AIKA ES 15040	150	37	40	1	7.500	7404864
AIKA ES 25040	250	37	40	1	10.200	7404870

Trunking end cap for blanking of AIK junction trunking, with connection terminal for protective cable connection.



Service outlet lid for GES2

St FS

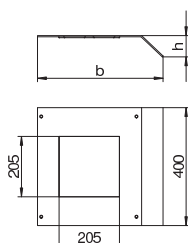
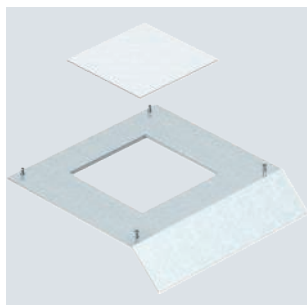


Type	Length mm	Width mm	Dim. b mm	Dim. h mm	Trun- king height mm	Pack Piece	Weight kg/100 pc.	Item no.
AIKF DG2 20070	800	200	266	67	70	1	562.000	7404972
AIKF DG2 25070	800	250	316	67	70	1	656.700	7404976

Service outlet lid for AIK/U trunking base for the installation of a service outlet of nominal size 2. Mounting opening closed with 2 mm aluminium blanking plate. The trunking lid is screwed tight to the Al side profiles of the trunking base. The lid slope extends beyond the trunking base at a 45° angle.

Service outlet lid for GES4

St FS

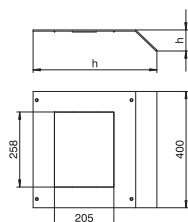
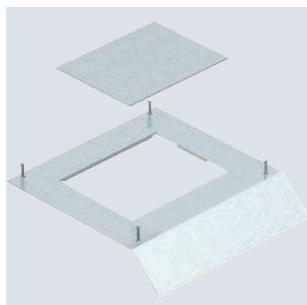


Type	Length mm	Width mm	Dim. b mm	Dim. h mm	Trun- king height mm	Pack Piece	Weight kg/100 pc.	Item no.
AIKF DG4 35075	400	350	421	72	75	1	541.000	7404980

Service outlet lid for AIK/U trunking base for the installation of a service outlet of nominal size 4. Mounting opening closed with 2 mm aluminium blanking plate. The trunking lid is screwed tight to the Al side profiles of the trunking base. The lid slope extends beyond the trunking base at a 45° angle.

Service outlet lid for GES6

St FS

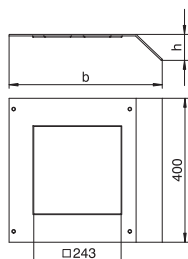
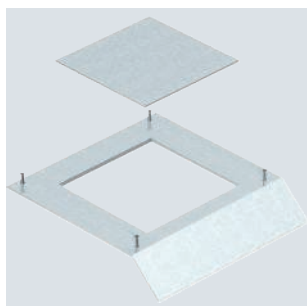


Type	Length mm	Width mm	Dim. b mm	Dim. h mm	Trun- king height mm	Pack Piece	Weight kg/100 pc.	Item no.
AIKF DG6 35075	400	350	421	67	75	1	510.300	7404984

Service outlet lid for AIK/U trunking base for the installation of a service outlet of nominal size 6. Mounting opening closed with 2 mm aluminium blanking plate. The trunking lid is screwed tight to the Al side profiles of the trunking base. The lid slope extends beyond the trunking base at a 45° angle.

Service outlet lid for GES9

St FS



Type	Length mm	Width mm	Dim. b mm	Dim. h mm	Trun- king height mm	Pack Piece	Weight kg/100 pc.	Item no.
AIKF DG9 35075	400	350	421	72	75	1	505.000	7404988

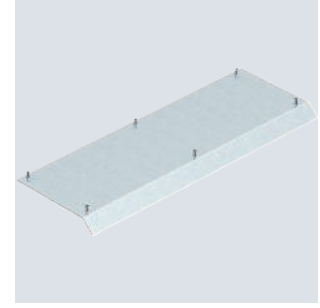
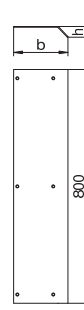
Service outlet lid for AIK/U trunking base for the installation of a service outlet of nominal size 9. Mounting opening closed with 2 mm aluminium blanking plate. The trunking lid is screwed tight to the Al side profiles of the trunking base. The lid slope extends beyond the trunking base at a 45° angle.

St FS

Blanking lid

Type	Length mm	Width mm	Dim. b mm	Dim. h mm	Trun- king height mm	Pack Piece	Weight kg/100 pc.	Item no.
AIKF D 15040	800	150	187	37	40	1	376.000	7404910
AIKF D 20070	800	200	266	67	70	1	550.000	7404928
AIKF D 25040	800	250	287	37	40	1	566.000	7404932
AIKF D 25070	800	250	316	67	70	1	644.000	7404944
AIKF D 35075	800	350	421	72	75	1	1,124.000	7404948

On-floor blanking lid to cover AIK on-floor junction trunking, suitable for the AIK/U trunking bases. The trunking lid is screwed tight to the AI side profiles of the trunking base. The lid slope extends beyond the trunking base at a 45° angle.

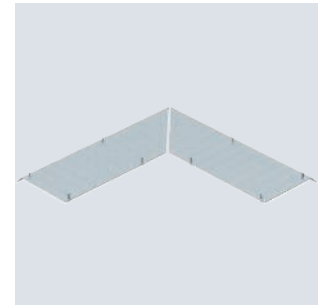
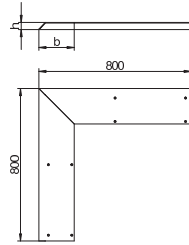


St FS

Blanking lid, external corner

Type	Length mm	Width mm	Dim. b mm	Dim. h mm	Trun- king height mm	Pack Piece	Weight kg/100 pc.	Item no.
AIKF AEA 15040	800	150	187	37	40	1	752.000	7404886
AIKF AEA 20070	800	200	266	67	70	1	1,097.000	7404894
AIKF AEA 25040	800	250	287	37	40	1	1,130.000	7404898
AIKF AEA 25070	800	250	316	67	70	1	1,286.000	7404902
AIKF AEA 35075	800	350	421	72	75	1	2,248.000	7404906

Two-part blanking lid for covering the external corner of on-floor trunking, suitable for all AIK/U trunking bases, including ten fixing screws. The trunking lid is screwed tight to the AI side profiles of the trunking base. The lid slope extends beyond the trunking base at a 45° angle.

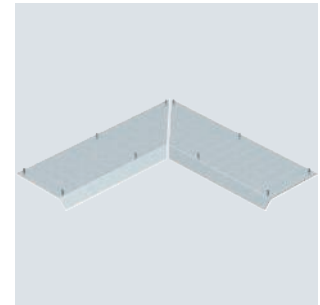
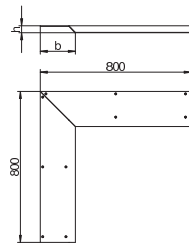


St FS

Blanking lid, internal corner

Type	Length mm	Width mm	Dim. b mm	Dim. h mm	Trun- king height mm	Pack Piece	Weight kg/100 pc.	Item no.
AIKF IEA 15040	800	150	187	37	40	1	754.000	7404996
AIKF IEA 20070	800	200	266	67	70	1	1,090.000	7405004
AIKF IEA 25040	800	250	287	37	40	1	1,102.000	7405008
AIKF IAE 25070	800	250	316	67	70	1	1,242.000	7404992
AIKF IEA 35075	800	350	421	72	75	1	2,202.000	7405012

Two-part blanking lid for covering the internal corner of on-floor trunking, suitable for all AIK/U trunking bases, including ten fixing screws. The trunking lid is screwed tight to the AI side profiles of the trunking base. The lid slope extends beyond the trunking base at a 45° angle.

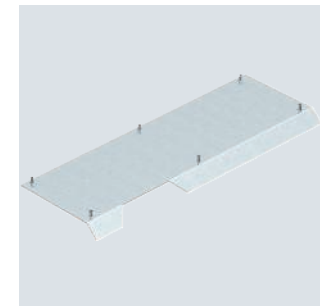
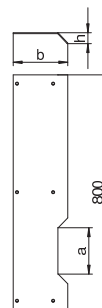


St FS

Blanking lid, T branch

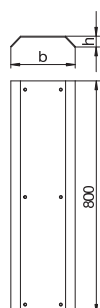
Type	Length mm	Width mm	Dim. a mm	Dim. b mm	Trun- king height mm	Pack Piece	Weight kg/100 pc.	Item no.
AIKF D 15040T150	800	150	150	187	40	1	354.000	7404914
AIKF D 25040T150	800	250	287	37	40	1	543.000	7404936
AIKF D 25040T250	800	250	287	37	40	1	532.000	7404940

Blanking lid with punching out for AIKA/U branch trunking with 40 mm construction height. The width of the branch trunking can be found in the type designation.



Blanking lid, branch trunking

St FS

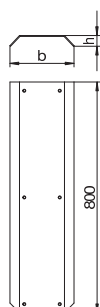
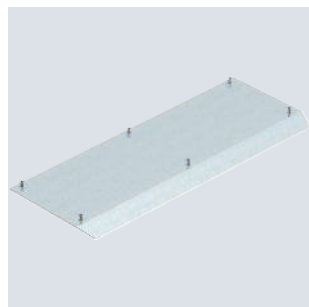


Type	Length mm	Width mm	Dim. b mm	Dim. h mm	Trun- king height mm	Pack Piece	Weight kg/100 pc.	Item no.
AIKA D 15040	800	150	224	37	40	1	470.000	7404840
AIKA D 25040	800	250	324	37	40	1	659.000	7404848

On-floor blanking lid to cover AIKA on-floor junction trunking, suitable for the AIK/U trunking bases. The trunking lid is screwed tight to the AI side profiles of the trunking base. The lid slope extends beyond the trunking base at a 45° angle.

Blanking lid, T branch connection piece

St FS



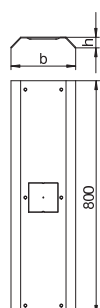
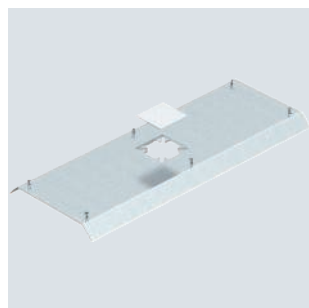
Type	Length mm	Width mm	Dim. b mm	Dim. h mm	Trun- king height mm	Pack Piece	Weight kg/100 pc.	Item no.
AIKA AD 15040	800	150	224	37	40	1	466.000	7404828
AIKA AD 25040	800	250	324	37	40	1	655.000	7404836

Blanking lid for AIKA/U junction trunking for adaptation to the punching out of the AIK/D-T blanking lid, including six fixing screws.

Device connection lid, Telitank

St FS

Device connection lid, branch trunking



Type	Length mm	Width mm	Dim. b mm	Dim. h mm	Trun- king height mm	Pack Piece	Weight kg/100 pc.	Item no.
AIKA DAT 15040	800	150	224	37	40	1	445.000	7404852
AIKA DAT 25040	800	250	324	37	40	1	636.000	7404860

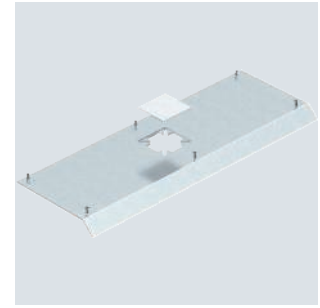
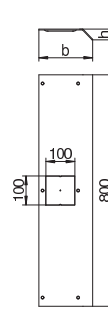
Mounting lid for AIKA/U junction trunking base for Telitank set-up. The trunking lid is screwed tight to the AI side profiles of the trunking base. The lid slope extends beyond the trunking base at a 45° angle on both sides.

St FS

Device connection lid for Telitank mounting

Type	Length mm	Width mm	Dim. b mm	Dim. h mm	Trun- king height mm	Pack Piece	Weight kg/100 pc.	Item no.
AIKF DAT 15040	800	150	187	37	40	1	399.340	7404956
AIKF DAT 25040	800	250	287	37	40	1	550.000	7404964

Mounting lid for AIK/U trunking base for Telitank set-up. The trunking lid is screwed tight to the Al side profiles of the trunking base. The lid slope extends beyond the trunking base at a 45° angle.



Side profiles

Side profile for AIKU (spare part)

Alu



Type	Length mm	Pack m	Weight kg/100 m	Item no.
AIKF SP	2400	2.4	42.000	7404806

Side profile as cover support with contact edge for the cover (rear profile). For pushing onto AIK/F bases, with continuous screw groove for earth conductor clamp. Spare part.

Side profile for AIKA (spare part)

Alu

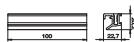


Type	Length mm	Pack m	Weight kg/100 m	Item no.
AIK SP L	2400	2.4	40.000	7404814

Side profile as cover support for pushing onto AIKA bases (usable on both sides). With continuous screw groove for earth conductor clamp. Spare part.

Side profile for AIKU and AIKA, short length (spare part)

Alu



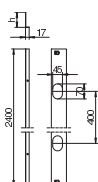
Type	Length mm	Pack Piece	Weight kg/100 pc.	Item no.
AIK SP K	100	1	40.000	7404810

Side profile as cover support for pushing onto AIK/F and AIKA bases (front profile). With continuous screw groove for earth conductor clamp. Spare part.

Duct separating retainers

Trunking separating retainer for trunking height 75 mm

St FS

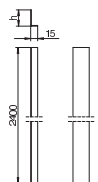
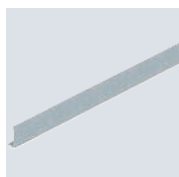


Type	Length mm	Dim. h mm	Trun- king height mm	Pack m	Weight kg/100 m	Item no.
AIK TWL 75	2400	70	75	2.4	81.200	7404816

For selective interior division of a trunking base of type "AIKU 35075", for lid support, with cable penetration openings.

Trunking separating retainer

St FS



Type	Length mm	Dim. h mm	Trun- king height mm	Pack m	Weight kg/100 m	Item no.
AIK 6TW 40	2400	35	40	2.4	37.900	7404820
AIK 6TW 70	2400	65	70	2.4	61.300	7404824

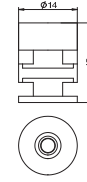
For the selective interior division of a trunking base.

Zn

Insertion nut

Type	Pack Piece	Weight kg/100 pc.	Item no.
TEM	4	4.600	7408084

The insertion nut is suitable for fastening a Telitank on the DAT system opening of the EÜK duct, OKA.. trunking, EBK duct or AIK trunking systems. Packing unit: 4 units.



Telitank

Device installation units above the floor (Telitanks) are used for the installation of electrical devices. According to DIN EN 50085-2-2, Telitanks can be used in rooms with dry or wet-cleaned floors.

Underfloor applications, on-floor



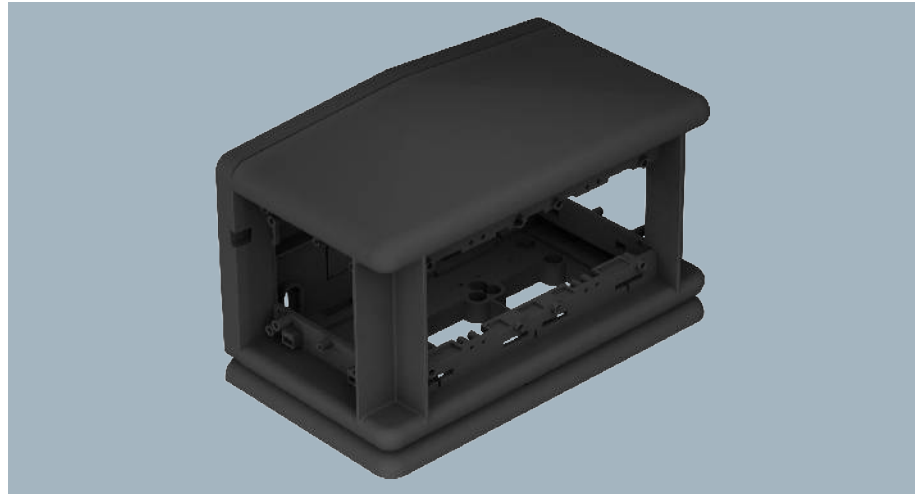
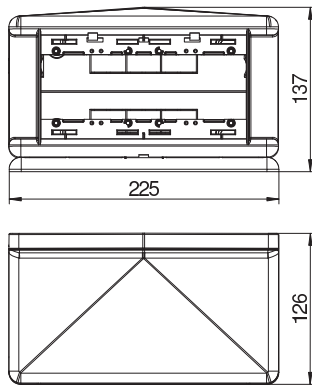
- Suitable for dry and wet-cleaned floors
- Can be used at low screed heights



- Installation option for four to twelve Modul 45® devices
- With screed-flush trunking system: Screed heights < 70 mm possible

PA

Telitank T4L



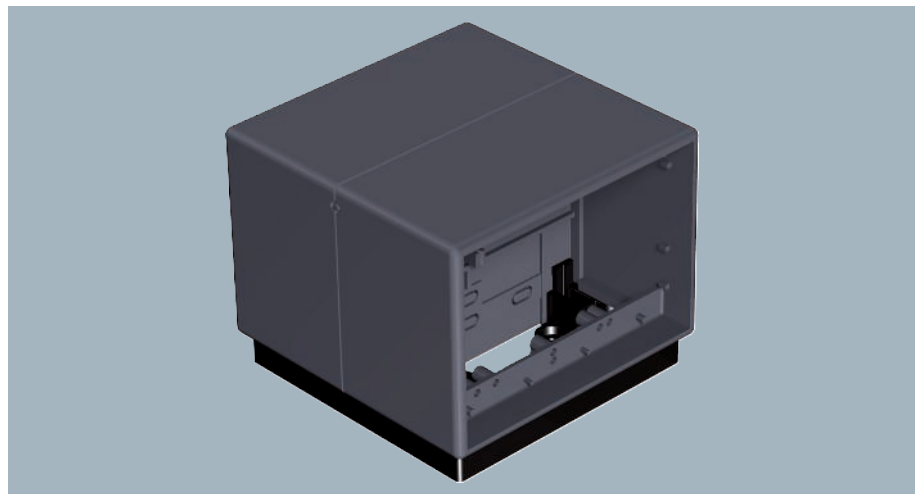
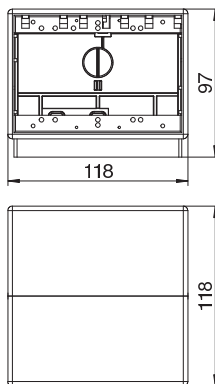
Raised height installation unit for the installation of four individual accessories.

Designed for use only on AIK systems.

Type	Colour	Pack Piece	Weight kg/100 pc.	Item no.
T4L00C 9011	Graphite black	1	57.200	7408300
T4L00C 7035	Light grey	1	57.200	7408304

PA

Telitank T4B



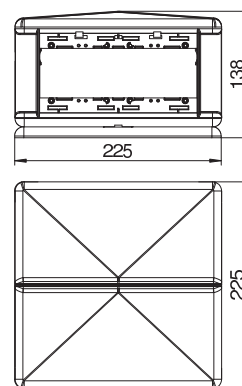
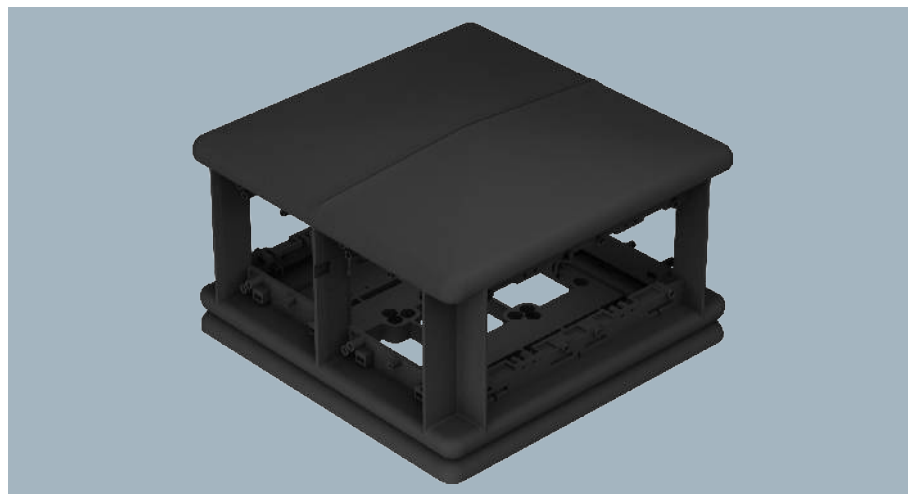
For combined installation of four individual accessories with support bracket (four accessories of one current type or two accessories each for two current types). The different current types are insulated against each other by a partition. Screw fixing groove for accessories: 60 mm vertical.

Type	Colour	Pack Piece	Weight kg/100 pc.	Item no.
T4B 00C 7011	Iron grey	1	32.200	7408288
T4B 00C 9011	Graphite black	1	32.200	7408292



Telitank T8NL

PA

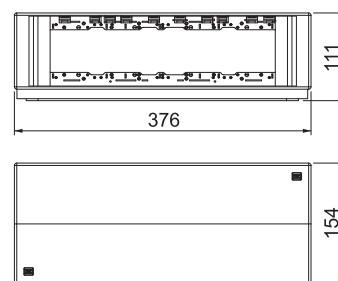
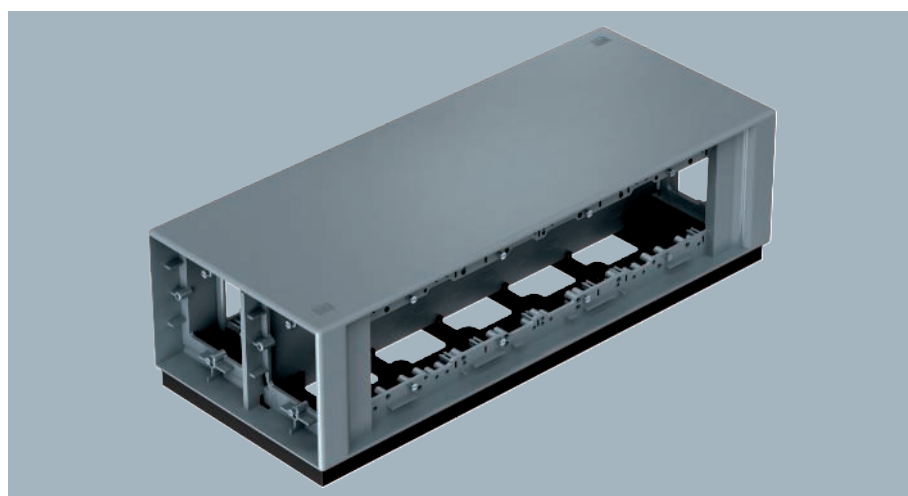


Type	Colour	Pack Piece	Weight kg/100 pc.	Item no.
T8NL 00C 9011	Graphite black	1	123.330	7408494
T8NL 00C 7035	Light grey	1	123.330	7408498

Raised-height installation unit for the installation of eight individual accessories with a support ring or support bracket on four sides. The current types (4 + 4) are separated using a partition. When multiple accessories are used, the connection capacity can be increased. Screw fixing groove for accessories: 60 mm, vertical.

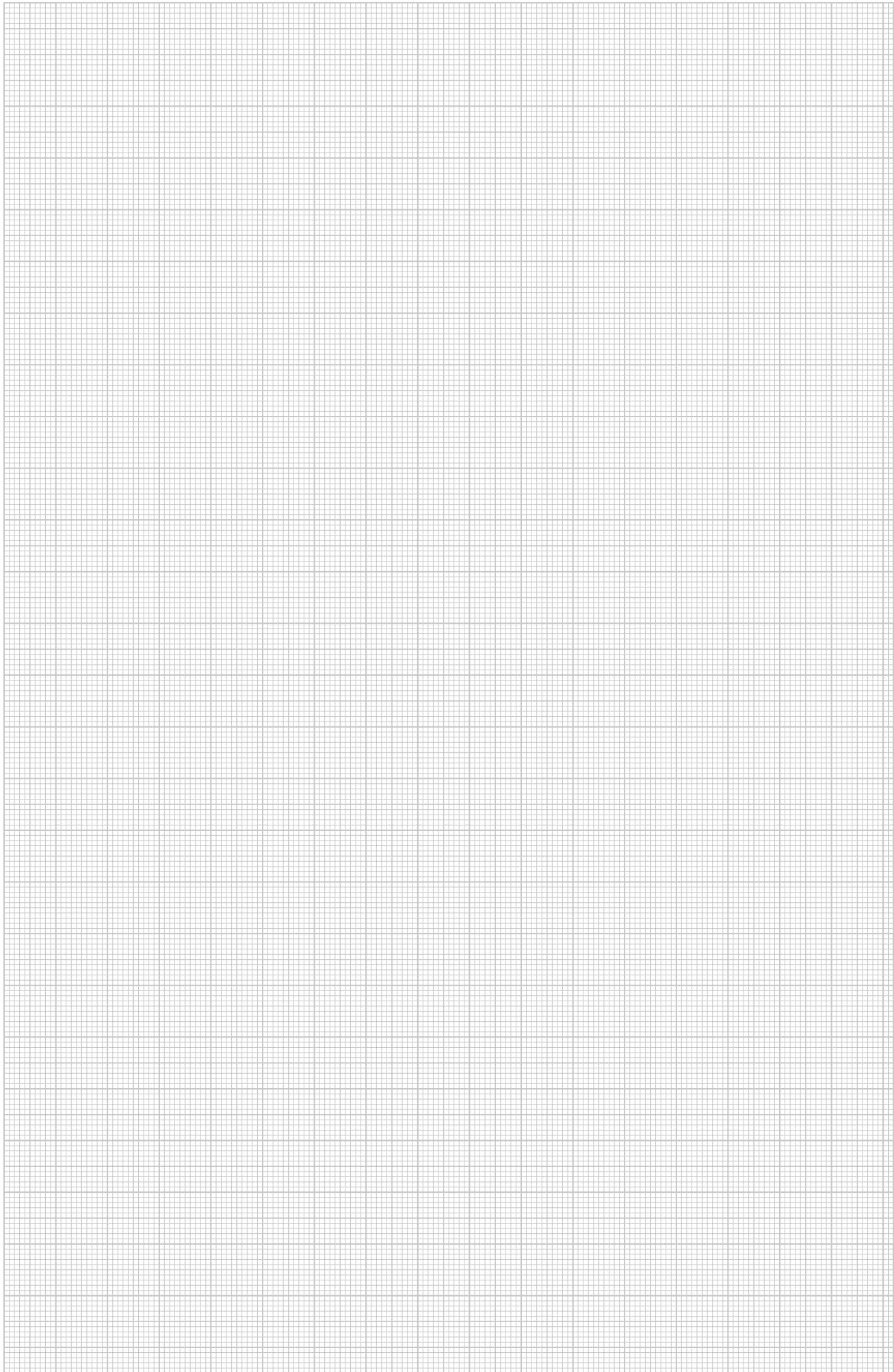
Telitank T12L

PA



Type	Colour	Pack Piece	Weight kg/100 pc.	Item no.
T12L 00C 7011	Iron grey	1	115.820	7408096
T12L 00C 9011	Graphite black	1	110.000	7408100

Raised-height Telitank installation units can be used in dry rooms with dry or wet-cleaned floors, according to the standard. They are installed on covers of empty underfloor boxes and trunking of the appropriate underfloor systems and on raised or cavity floors. A system opening of the type "DAT" is required for fixing on systems. Telitanks offer direct installation options for accessories with a support ring or support bracket with a 60 mm fixing groove. All the fixing grooves are arranged vertically. Modul 45 devices are locked directly into the appropriate cover plates. All the Telitank housings are made of shock-resistant polyamide and thus have a high load capacity. As the Telitanks have a fixed location, care should be taken during planning that they are not located in traffic areas.

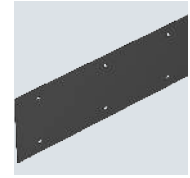
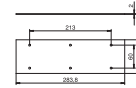


PVC

Cover plate, Telitank T12L, blank, for lengthwise side

Type	Colour	Pack Piece	Weight kg/100 pc.	Item no.
T12L P04S 9011	Graphite black	1	6.460	7408132

Cover plate "blank", suitable for lengthwise side of T12L (1/1 cover).

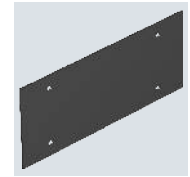
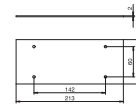


PVC

Cover plate, Telitank T12L, blank, for lengthwise side

Type	Colour	Pack Piece	Weight kg/100 pc.	Item no.
T12L P03S 9011	Graphite black	1	4.850	7408124

Cover plate "blank", suitable for lengthwise side of T12L (3/4 cover).

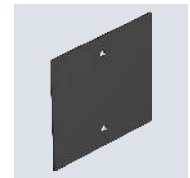
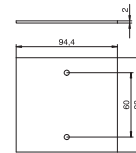


PVC

Cover plate, Telitank T12L, blank, for lengthwise side

Type	Colour	Pack Piece	Weight kg/100 pc.	Item no.
T12L P05S 9011	Graphite black	1	2.150	7408140

Cover plate "blank", suitable for lengthwise side of T12L (1/3 cover).



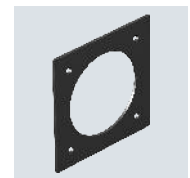
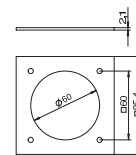
Cover plates, CEE devices

PA

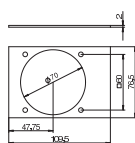
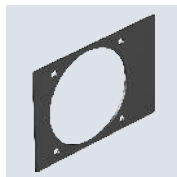
Cover plate, Telitank T4L/T8NL, installation opening for CEE device with 60 mm fastening track

Type	Colour	Pack Piece	Weight kg/100 pc.	Item no.
T8NL PCEE 9011	Graphite black	10	1.800	7408482
T8NL PCEE 7035	Light grey	10	1.800	7408486

Cover plate with 1 perforation (Ø 70 mm) and 60 x 60 mm screw fastening for CEE sockets, suitable for T4L and T8NL narrow side or for T4L and T8NL lengthwise side (1/2 cover).



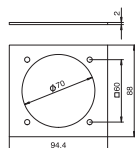
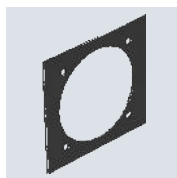
Cover plate, Telitank T4B, installation opening for CEE device with 60 mm fastening track



Type	Colour	Pack	Weight	Item no.
		Piece	kg/100 pc.	
T4B P5S 9011	Graphite black	1	1.150	7408260

Cover plate with 1 perforation (Ø 70 mm) and 60 x 60 mm screw fastening for CEE sockets, suitable for T4B lengthwise side (1/1 cover).

Cover plate, Telitank T12L, installation opening for CEE device with 60 mm fastening track

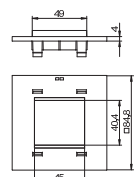
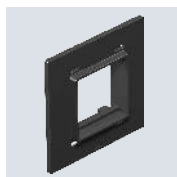


Type	Colour	Pack	Weight	Item no.
		Piece	kg/100 pc.	
T12L P7S 9011	Graphite black	1	1.130	7408204

Cover plate with 1 perforation (Ø 70 mm) and 60 x 60 mm screw fastening for CEE sockets, suitable for T12L lengthwise side (1/3 cover).

Cover plates, Modul 45

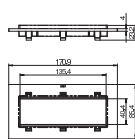
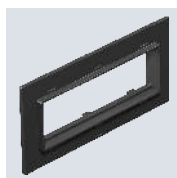
Cover plate, Telitank T4L/T8NL, Modul 45® installation opening



Type	Colour	Pack	Weight	Item no.
		Piece	kg/100 pc.	
T8NL P45 9011	Graphite black	1	2.058	7408474
T8NL P45 7035	Light grey	1	2.058	7408478

Cover plate with rectangular opening for a single Modul 45 socket, suitable for narrow side of T4L and T8NL or for lengthwise side of T4L and T8NL (1/2 cover).

Cover plate, Telitank T4L/T8NL, Modul 45® installation opening



Type	Colour	Pack	Weight	Item no.
		Piece	kg/100 pc.	
T8NL P105 9011	Graphite black	1	3.760	7408452
T8NL P105 7035	Light grey	1	3.760	7408456

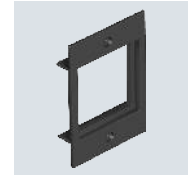
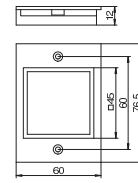
Cover plate with rectangular opening for a triple Modul 45 socket, suitable for lengthwise side of T4L and T8NL (1/1 cover).

PA

Cover plate, Telitank T4B, Modul 45® installation opening

Type	Colour	Pack Piece	Weight kg/100 pc.	Item no.
T4B P6 9011	Graphite black	1	0.910	7408268

Cover plate with rectangular opening for a single Modul 45 socket, suitable for lengthwise side of T4B (1/2 cover).

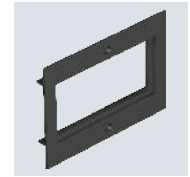
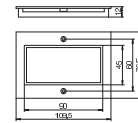


PA

Cover plate, Telitank T4B, Modul 45® installation opening

Type	Colour	Pack Piece	Weight kg/100 pc.	Item no.
T4B P7 9011	Graphite black	1	1.648	7408276

Cover plate with rectangular opening for a double Modul 45 socket, suitable for T4B lengthwise side (1/1 cover).

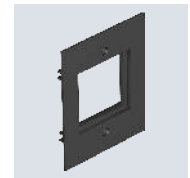
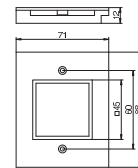


PA

Cover plate, Telitank T12L, Modul 45® installation opening

Type	Colour	Pack Piece	Weight kg/100 pc.	Item no.
T12L P15S 9011	Graphite black	1	1.400	7408148

Cover plate with rectangular opening for a Modul 45 accessory, suitable for lengthwise side of T12L (1/4 cover) or for T12L narrow side (1/2 cover).

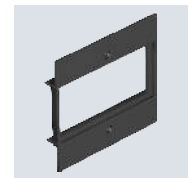
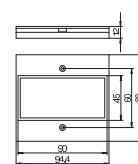


PA

Cover plate, Telitank T12L, Modul 45® installation opening

Type	Colour	Pack Piece	Weight kg/100 pc.	Item no.
T12L P16S 9011	Graphite black	1	1.546	7408156

Cover plate with rectangular opening for a double Modul 45 socket, suitable for lengthwise side of T12L (1/3 cover).

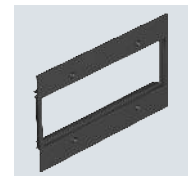
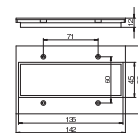


PA

Cover plate, Telitank T12L, Modul 45® installation opening

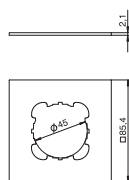
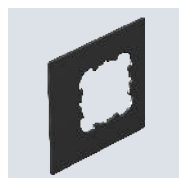
Type	Colour	Pack Piece	Weight kg/100 pc.	Item no.
T12L P17S 9011	Graphite black	10	2.200	7408164

Cover plate with rectangular opening for a triple Modul 45 socket, suitable for lengthwise side of T12L (1/2 cover).



PA

Cover plate, Telitank T4L/T8NL, round installation opening for EKR device, for lengthwise side

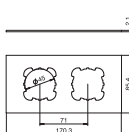
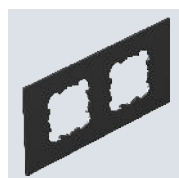


Type	Colour	Pack Piece	Weight kg/100 pc.	Item no.
T8NL P2 9011	Graphite black	1	1.230	7408458
T8NL P2 7035	Light grey	1	1.230	7408460

Cover plate with 1 perforation (Ø 45 mm) for one accessory with support ring, suitable for T4L and T8NL lengthwise side (1/2 cover).

Cover plate, Telitank T4L/T8NL, round installation opening for EKR device, for lengthwise side

PA

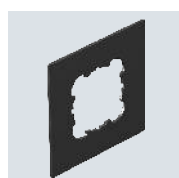


Type	Colour	Pack Piece	Weight kg/100 pc.	Item no.
T8NL P3 9011	Graphite black	1	2.433	7408464
T8NL P3 7035	Light grey	1	2.433	7408470

Cover plate with 2 perforations (Ø 45 mm) for two accessories with support ring, suitable for T4L and T8NL lengthwise side (1/2 cover).

Cover plate, Telitank T4L/T8NL, round installation opening for EKR device, for narrow side

PA

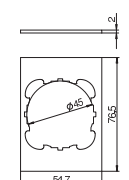
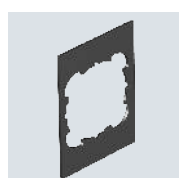


Type	Colour	Pack Piece	Weight kg/100 pc.	Item no.
T8NL P1 9011	Graphite black	1	1.230	7408444
T8NL P1 7035	Light grey	1	1.230	7408448

Cover plate with 1 perforation (Ø 45 mm) for one accessory with support ring, suitable for T4L and T8NL narrow side.

Cover plate, Telitank T4B, round installation opening for EK device

PVC

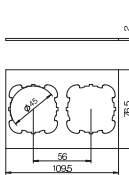
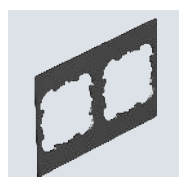


Type	Colour	Pack Piece	Weight kg/100 pc.	Item no.
T4B P1S 9011	Graphite black	1	0.570	7408236

Cover plate with 1 perforation (Ø 45 mm) for one accessory with support clamp (EK version), suitable for T4B lengthwise side (1/2 cover).

Cover plate, Telitank T4B, round installation opening for EK device

PVC



Type	Colour	Pack Piece	Weight kg/100 pc.	Item no.
T4B P3S 9011	Graphite black	1	1.140	7408252

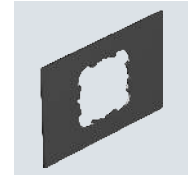
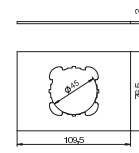
Cover plate with 2 perforations (Ø 45 mm) for two accessories with support clamp (EK version), suitable for T4B lengthwise side (1/2 cover).

PVC

Cover plate, Telitank T4B, round installation opening for EKR device

Type	Colour	Pack Piece	Weight kg/100 pc.	Item no.
T4B P2S 9011	Graphite black	1	1.660	7408244

Cover plate with 1 perforation (Ø 45 mm) for one accessory with support ring, suitable for T4B lengthwise side (1/1 cover).

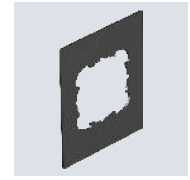
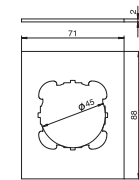


PVC

Cover plate, Telitank T12L, round installation opening for EKR device

Type	Colour	Pack Piece	Weight kg/100 pc.	Item no.
T12L P1S 9011	Graphite black	1	1.100	7408172

Cover plate with 1 perforation (Ø 45 mm) for one accessory with support ring or bracket, suitable for T12L lengthwise side (1/4 cover) or for T12L narrow side (1/2 cover).

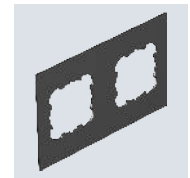
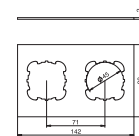


PVC

Cover plate, Telitank T12L, round installation opening for EKR device

Type	Colour	Pack Piece	Weight kg/100 pc.	Item no.
T12L P2S 9011	Graphite black	1	2.210	7408180

Cover plate with 2 perforations (Ø 45 mm) for 2 accessories with support ring or bracket, suitable for T12L lengthwise side (1/2 cover).

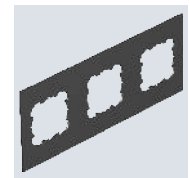
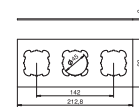


PVC

Cover plate, Telitank T12L, round installation opening for EKR device

Type	Colour	Pack Piece	Weight kg/100 pc.	Item no.
T12L P3S 9011	Graphite black	1	3.320	7408188

Cover plate with 3 perforations (Ø 45 mm) for three accessories with support ring or bracket, suitable for T12L lengthwise side (3/4 cover).

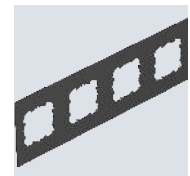
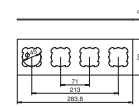


PVC

Cover plate, Telitank T12L, round installation opening for EKR device

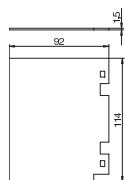
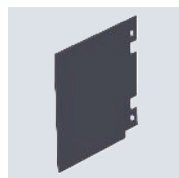
Type	Colour	Pack Piece	Weight kg/100 pc.	Item no.
T12L P4S 9011	Graphite black	1	4.420	7408196

Cover plate with 4 perforations (Ø 45 mm) for four accessories with support ring or bracket, suitable for T12L lengthwise side (1/1 cover).



Partition Telitank T4L/T8NL

PVC

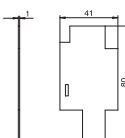
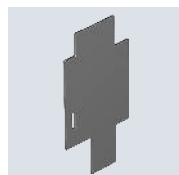


Colour		Pack	Weight	Item no.
Type	Piece	kg/100 pc.		
T8NL TQ	Graphite black	1	1.700	7408490

Transverse divider for additional interior division for Telitanks T4L and T8NL.

Partition Telitank T4B

PVC

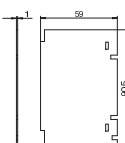
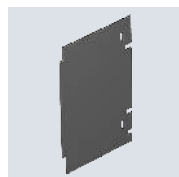


Colour		Pack	Weight	Item no.
Type	Piece	kg/100 pc.		
T4B TQ	Graphite black	1	0.280	7408280

Transverse divider for additional interior division.

Partition Telitank T12L

PVC



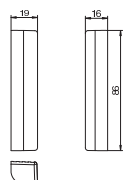
Colour		Pack	Weight	Item no.
Type	Piece	kg/100 pc.		
T12L TQ	Graphite black	1	0.580	7408208

Transverse divider for additional interior division.

Corner panels

Corner panel T4L/T8NL, vaulted outwards

PA



Colour		Pack	Weight	Item no.
Type	Piece	kg/100 pc.		
T8NL EB2 9011	Graphite black	2	3.160	7408428
T8NL EB2 7035	Light grey	2	3.160	7408432

Corner element for later installation in the T4L or T8NL housing. Corner element version: arched outwards.

Corner panel T4L/T8NL, vaulted inwards

PA



Colour		Pack	Weight	Item no.
Type	Piece	kg/100 pc.		
T8NL EB1 9011	Graphite black	2	2.000	7408420
T8NL EB1 7035	Light grey	2	2.000	7408424

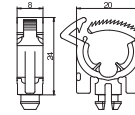
Corner element for later installation in the T4L or T8NL housing. Corner element version: arched inwards.

PA

Strain relief

Type	Pack Piece	Weight kg/100 pc.	Item no.
ZE2 3	10	1.400	7408650

Strain relief for use in universal support cover plates, in mounting boxes, module supports and T4L and T8NL Telitanks, for standard strain relief of inserted cables.

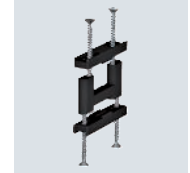
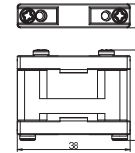


PA

Strain relief T12L

Type	Pack Piece	Weight kg/100 pc.	Item no.
T ZE	10	4.450	7408088

For jacketed cables up to Ø 16 mm, for fastening on the partition. When used in T12L, a maximum of 5 strain reliefs can be used whilst a maximum of 2 can be used on the T4B.



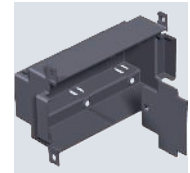
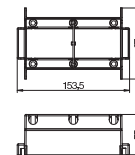
Mounting box

PA

Mounting box, Telitank T4L

Type	Colour	Pack Piece	Weight kg/100 pc.	Item no.
T4L EG	Graphite black	1	5.574	7408296

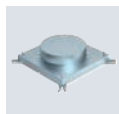
Fitted plug housing for insulated installation of a combination single + single or a triple Modul 45 power socket in a T4L Telitank



Underfloor applications, in concrete



Underfloor applications, in concrete



In-concrete duct system

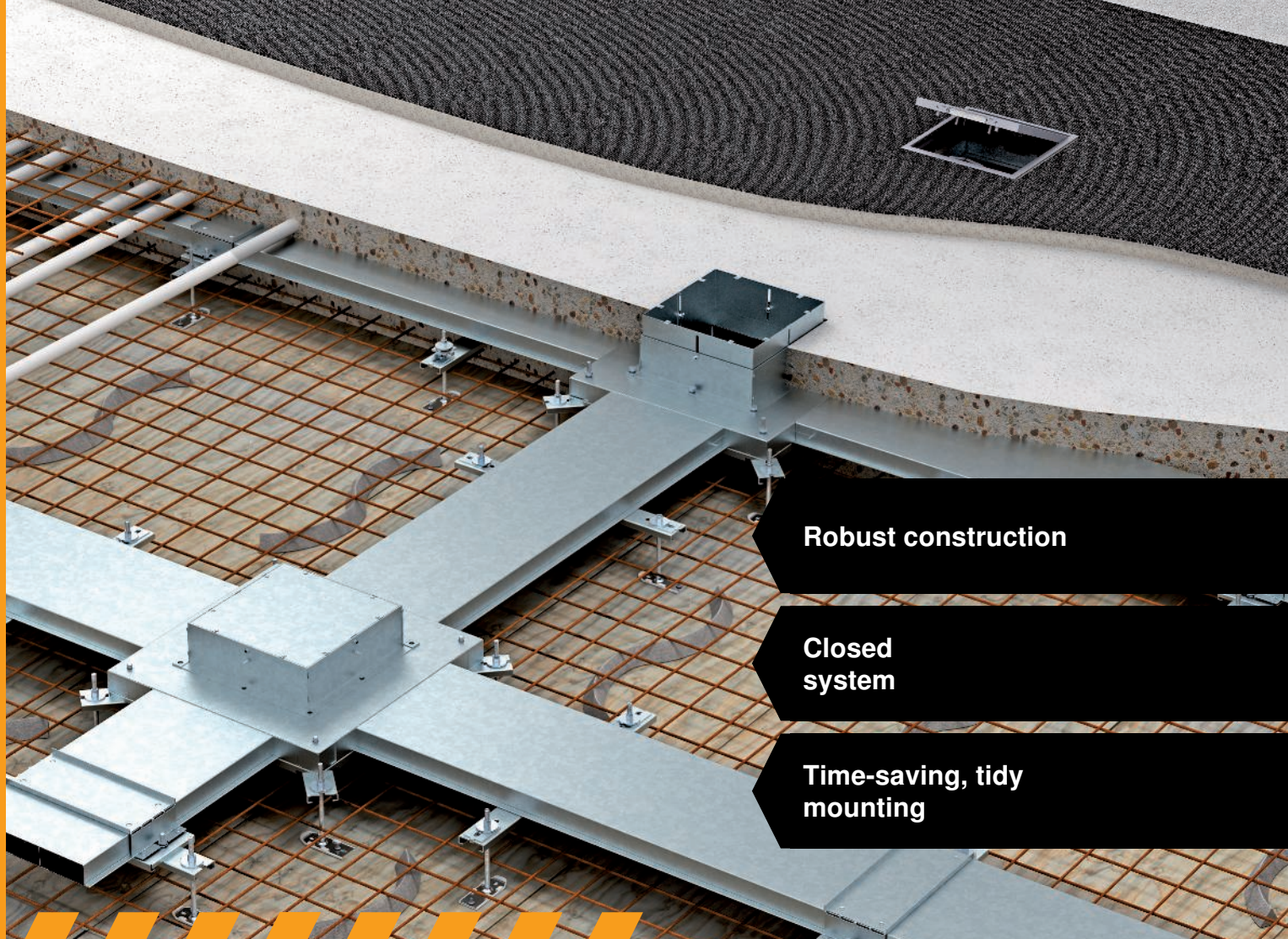
200



Accessories In-concrete duct system

204





Robust construction

Closed system

Time-saving, tidy mounting

IBK in-concrete duct system

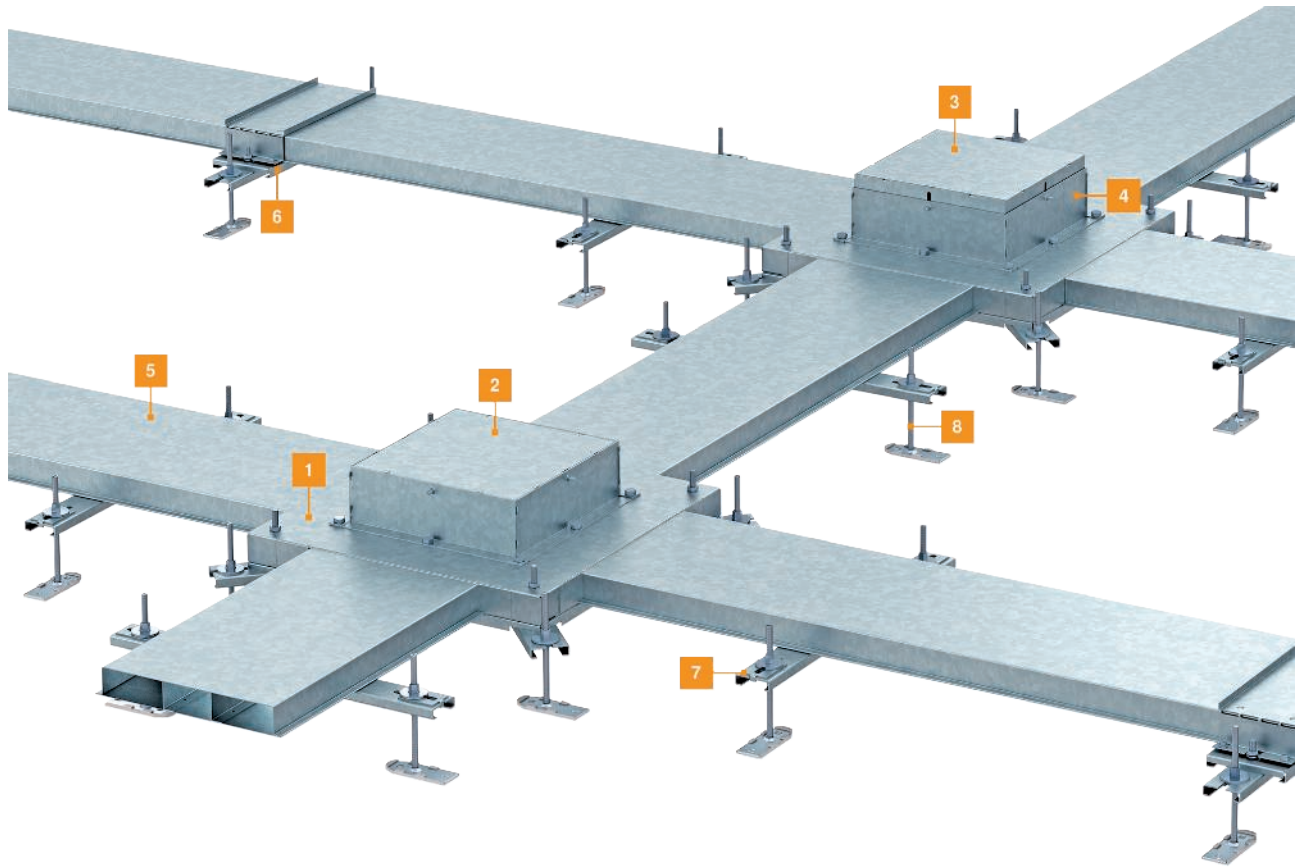
The in-concrete duct system is suitable for use in concrete floor plates and concrete ceilings, irrespective of whether they are ceilings encased during construction or are ceilings made of filigree plates. Thanks to its continuous height adjustment of ducts and sockets, the system can be adapted to all kinds of project requirements.

The ducts are located in the neutral zone between the upper and lower reinforcement and can also be used for simultaneous concrete core activation, cooling and heating via the floor or the ceiling.



In-concrete duct system

Installation principle



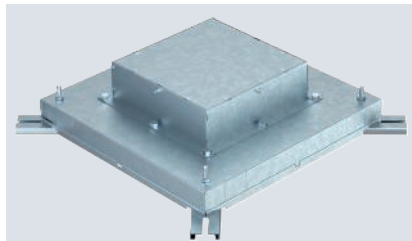
- | | |
|---|--|
| 1 | In-concrete socket |
| 2 | Cover socket for device installation |
| 3 | Mounting protection cover |
| 4 | Inner lined body |
| 5 | Electrical installation duct, 2 or 3-compartment, 38 or 48 mm high |
| 6 | Connection strap with equipotential bonding |
| 7 | Duct support |
| 8 | Height adjustment unit |



In-concrete sockets 9

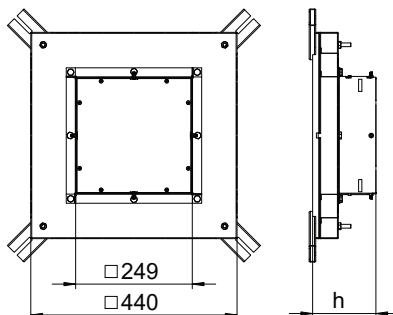
St FS

In-concrete socket for installation units of nominal size 9



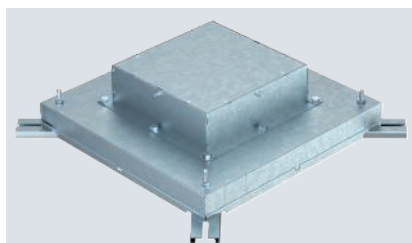
In-concrete socket for duct height 48 mm, prepared for duct widths 250 and 350 mm. With four adjustable placements for height-adjustment units. The integrated lined body can be adjusted to a maximum of 65 mm for compensating screed work.

Type	Dim.		Pack Piece	Weight kg/100 pc.	Item no.
	h mm	Nominal size			
IBD 35048 9	145	9	1	872.500	7399852



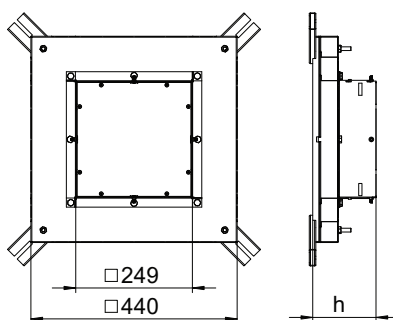
In-concrete socket for installation units of nominal size 9

St FS



In-concrete socket for duct height 38 mm, prepared for duct widths 250 and 350 mm. With four adjustable placements for height-adjustment units. The integrated lined body can be adjusted to a maximum of 65 mm for compensating screed work.

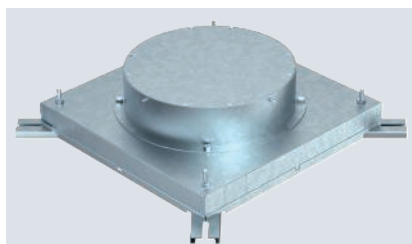
Type	Dim.		Pack Piece	Weight kg/100 pc.	Item no.
	h mm	Nominal size			
IBD 35038 9	135	9	1	850.000	7399850



In-concrete sockets R9

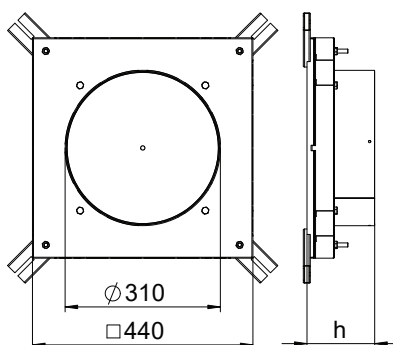
St FS

In-concrete socket for installation units of nominal size R9



In-concrete socket for duct height 38 mm, prepared for duct widths 250 and 350 mm. With four adjustable placements for height-adjustment units. The integrated lined body can be adjusted to a maximum of 65 mm for compensating screed work.

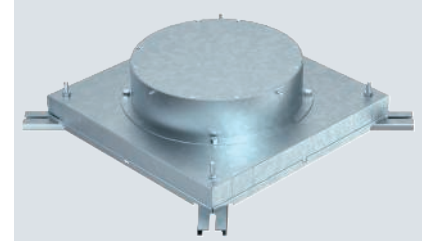
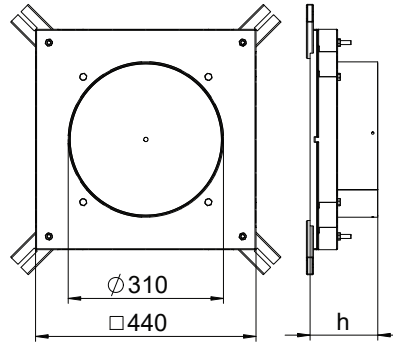
Type	Dim.		Pack Piece	Weight kg/100 pc.	Item no.
	h mm	Nominal size			
IBD 35038 R9	135	R9	1	918.000	7399856



St FS

In-concrete socket for installation units of nominal size R9

Type	Dim.	Nominal size	Pack	Weight	Item no.
	h		Piece	kg/100 pc.	
IBD 35048 R9	145	R9	1	940.000	7399858

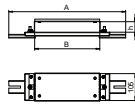
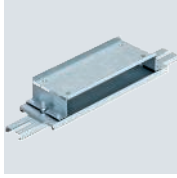


In-concrete socket for duct height 48 mm, prepared for duct widths 250 and 350 mm. With four adjustable placements for height-adjustment units. The integrated lined body can be adjusted to a maximum of 65 mm for compensating screed work.

Connectors

Connection element 38 mm

St FS

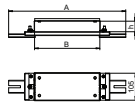
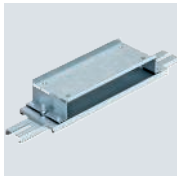


Type	Dim.	Dim.	Pack Piece	Weight kg/100 pc.	Item no.
	B mm	h mm			
IBVE 25038	250	38	1	131.400	7399890
IBVE 35038	350	38	1	161.500	7399896

To connect underfloor installation ducts with in-concrete applications. With two adjustable placements for IBNEV height-adjustment units.

Connection element 48 mm

St FS



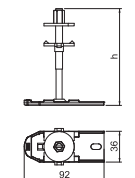
Type	Dim.	Dim.	Pack Piece	Weight kg/100 pc.	Item no.
	B mm	h mm			
IBVE 25048	250	48	1	133.800	7399892
IBVE 35048	380	48	1	161.500	7399898

To connect underfloor installation ducts with in-concrete applications. With two adjustable placements for IBNEV height-adjustment units.

Height-adjustment unit

Height adjustment unit

St FS



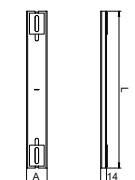
Type	Height adjustment range mm	Pack Piece	Weight kg/100 pc.	Item no.
	IBNEV 110			
IBNEV 150	75-145	10	16.500	7399923
IBNEV 190	115-185	10	18.000	7399926
IBNEV 230	155-225	10	20.000	7399929

Height adjustment kit for IBK system components.
For levelling boxes, connectors and supports.

Supports

Support for 250 mm duct

St FS

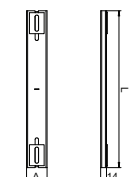


Type	Duct width mm	Pack Piece	Weight kg/100 pc.	Item no.
	IBST 250			

To support and elevate underfloor installation ducts. With two adjustable placements for levelling units.

Support for 350 mm duct

St FS



Type	Duct width mm	Pack Piece	Weight kg/100 pc.	Item no.
	IBST 350			

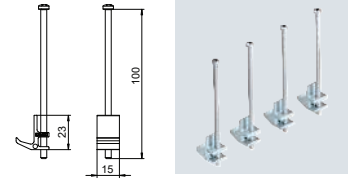
To support and elevate underfloor installation ducts. With two adjustable placements for levelling units.

St FS

Fastening kit for GES9

Type	Length mm	Width mm	Height mm	Pack Piece	Weight kg/100 pc.	Item no.
IB BGES9	22	15	100	4	5.000	7399870

Fastening bracket for square GES9 service outlet to be mounted in in-concrete box.

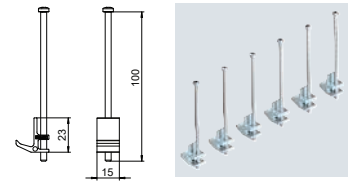


St FS

Fastening kit for GESR9

Type	Length mm	Width mm	Height mm	Pack Piece	Weight kg/100 pc.	Item no.
IB BGESR9	22	15	100	6	7.500	7399872

Fastening bracket for round GESR9 service outlet to be mounted in in-concrete box.



Underfloor applications, in screed



Underfloor applications, in screed

	EÜK ducts, screed-covered	208
	Accessories, EÜK screed-covered ducts	216
	Underfloor sockets, screed covered EÜK	220
	Accessories, EÜK underfloor sockets, screed covered	230
	OKA trunking, screed-flush	238
	Screed-flush extension units	264
	Accessories, screed-flush trunking OKA	272
	OKB trunking, screed-flush	282
	Accessories, screed-flush trunking OKB	288
	OKA-T open trunking system, screed-flush	292

Screed-covered duct system

The screed-covered duct system is suitable for all screed types, e.g. for cement screeds, poured asphalt, floating screeds or heated screeds. The electrical installation ducts form a tight, hidden cable routing grid in the screed. Screed boxes allow the expansion with device installation units and access to the electrical installation.

- Replaceable mounting lid
- Can be expanded into a heavy-duty system
- Noise decoupling possible



- Large installation space
- Stable sheet steel side walls
- Screed-flush drip edge
- Rapid height-adjustment function



Ideally suitable for wet cleaning



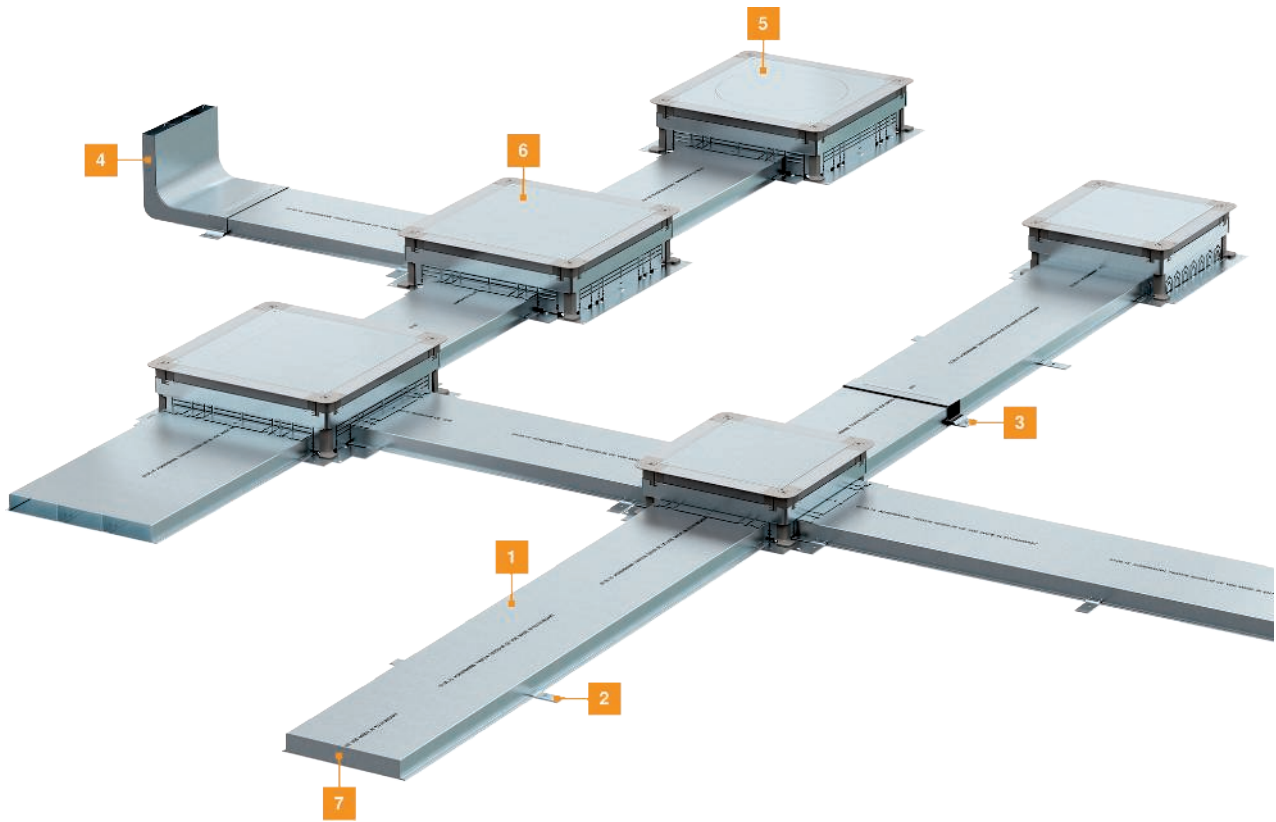
Suitable for the highest loads and expandable as a heavy-duty system



In use around the world for decades

EÜK underfloor installation ducts

Installation principle

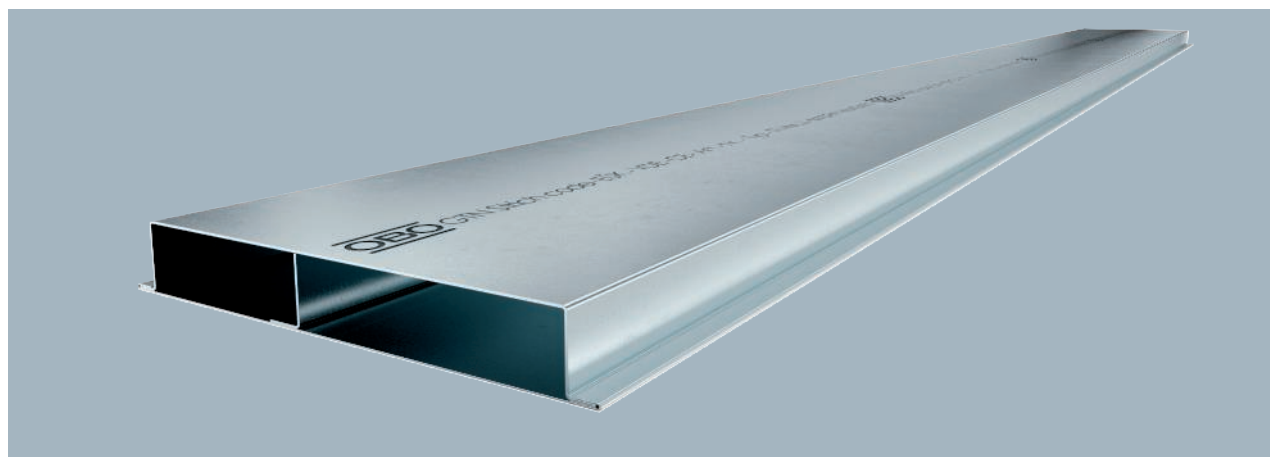


- | | |
|---|---|
| 1 | Underfloor installation duct |
| 2 | Duct connection bracket |
| 3 | Connection shackle |
| 4 | Vertical bend |
| 5 | Underfloor device socket with mounting lid and lid blanking plate (UGD) |
| 6 | Underfloor junction and branch box (UZD) |
| 7 | End piece |

EÜK underfloor installation duct, 28 mm

Underfloor installation duct, 2-compartment

St FS

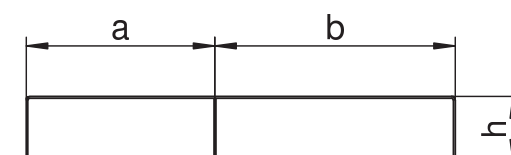


Type	Width mm	Length mm	Height mm	Number of compart- ments pc.	Pack m	Weight kg/100 m	Item no.
S2 19028	190	2000	28	2	2	334.000	7400300
S2 25028	250	2000	28	2	2	410.000	7400312

Underfloor installation duct for laying cables under the floor.

Type	Dim. a mm	Dim. b mm	Dim. h mm	Cross- section draw a mm ²	Cross- section draw b mm ²
S2 19028	80	110	28	2028	2808
S2 25028	110	140	28	2808	3588

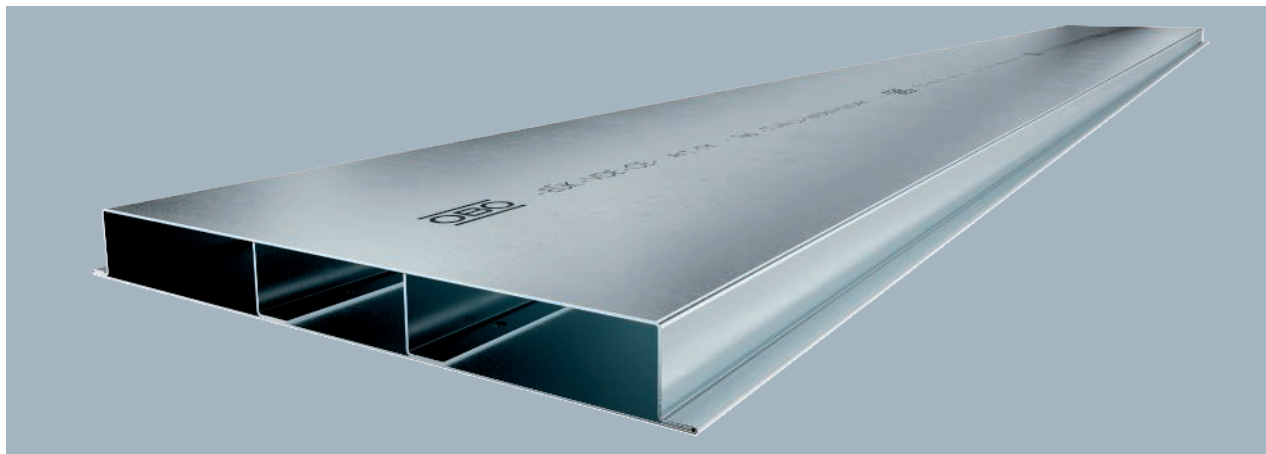
Dimensions



St FS



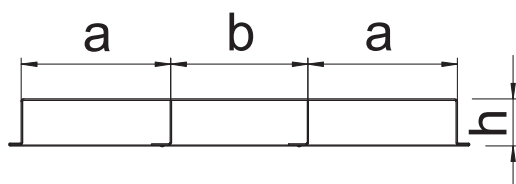
Underfloor installation duct, 3-compartment



Underfloor installation duct for laying cables under the floor.

Type	Width mm	Length mm	Height mm	Number of compart- ments pc.	Pack m	Weight kg/100 m	Item no.
S3 25028	250	2000	28	3	2	438.000	7400324
S3 35028	350	2000	28	3	2	561.000	7400336

Dimensions

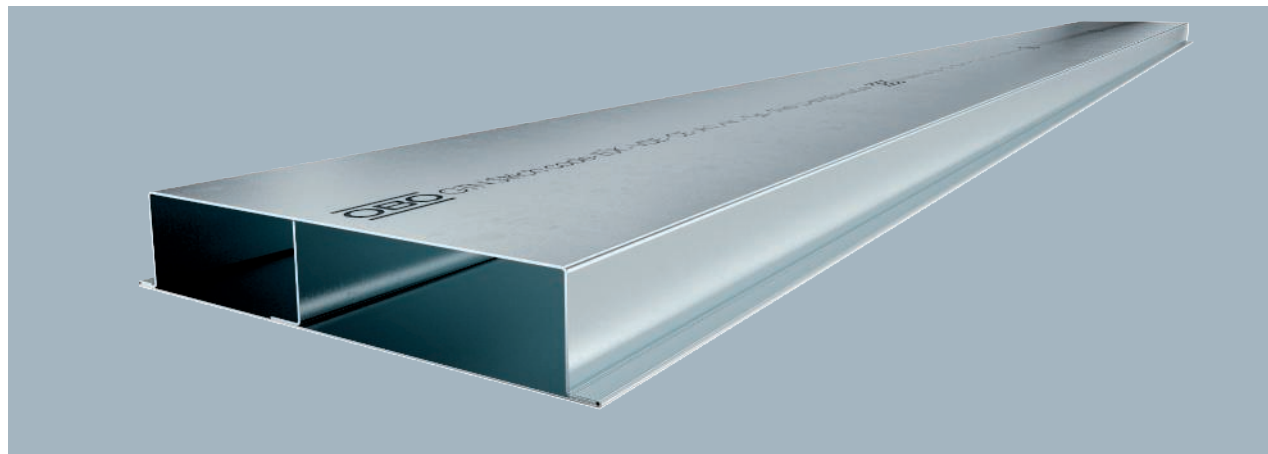


Type	Dim. a mm	Dim. b mm	Dim. h mm	Cross- section draw a mm ²	Cross- section draw b mm ²
S3 25028	90	70	28	2288	1794
S3 35028	120	110	28	3068	2834

EÜK underfloor installation duct, 38 mm

Underfloor installation duct, 2-compartment

St FS

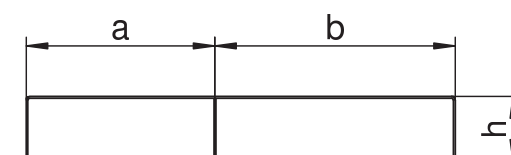


Type	Width mm	Length mm	Height mm	Number of compart- ments pc.	Pack m	Weight kg/100 m	Item no.
S2 19038	190	2000	38	2	2	349.000	7400304
S2 25038	250	2000	38	2	2	427.000	7400316

Underfloor installation duct for laying cables under the floor.

Type	Dim. a mm	Dim. b mm	Dim. h mm	Cross- section draw a mm ²	Cross- section draw b mm ²
S2 19038	80	110	38	2808	3888
S2 25038	110	140	38	3888	4968

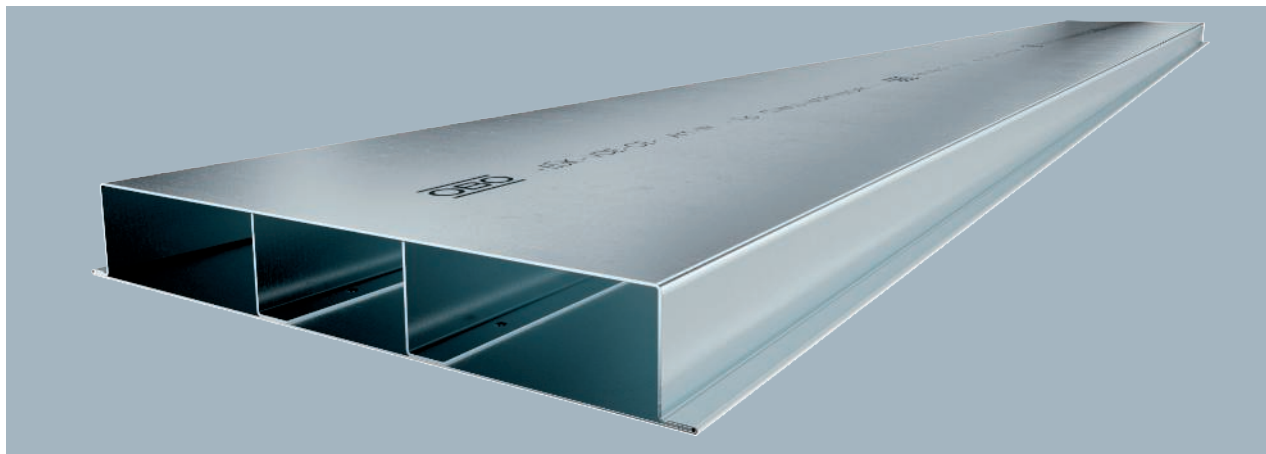
Dimensions



St FS



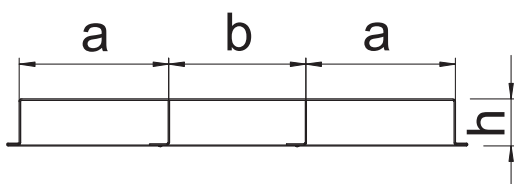
Underfloor installation duct, 3-compartment



Underfloor installation duct for laying cables under the floor.

Type	Width mm	Length mm	Height mm	Number of compart- ments pc.	Pack m	Weight kg/100 m	Item no.
S3 25038	250	2000	38	3	2	466.000	7400328
S3 35038	350	2000	38	3	2	595.000	7400340

Dimensions

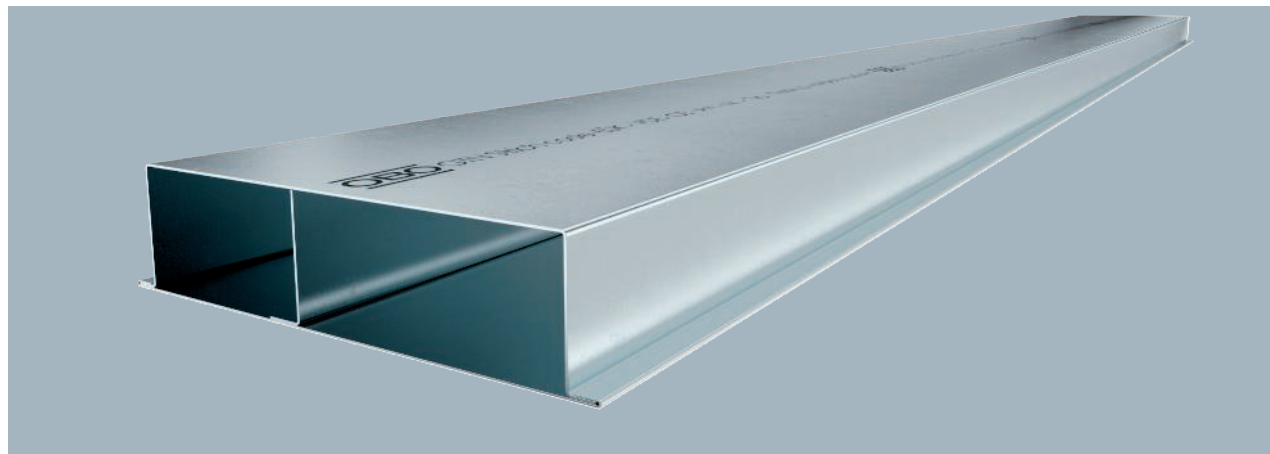


Type	Dim. a mm	Dim. b mm	Dim. h mm	Cross- section draw a mm ²	Cross- section draw b mm ²
S3 25038	90	70	38	3168	2484
S3 35038	120	110	38	4248	3924

EÜK underfloor installation duct, 48 mm

Underfloor installation duct, 2-compartment

St FS

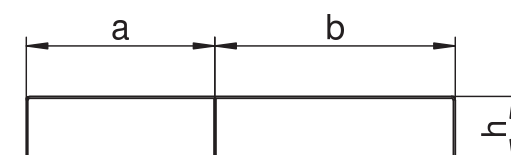


Type	Width mm	Length mm	Height mm	Number of compart- ments pc.	Pack m	Weight kg/100 m	Item no.
S2 19048	190	2000	48	2	2	376.000	7400308
S2 25048	250	2000	48	2	2	451.000	7400320

Underfloor installation duct for laying cables under the floor.

Type	Dim. a mm	Dim. b mm	Dim. h mm	Cross- section draw a mm ²	Cross- section draw b mm ²
S2 19048	80	110	48	3588	4968
S2 25048	110	140	48	4968	6348

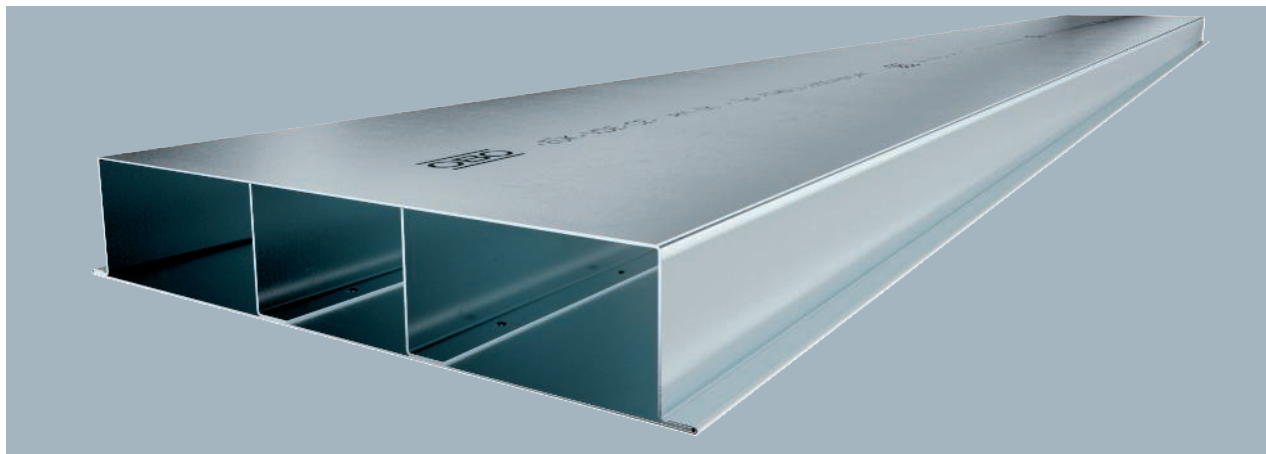
Dimensions



St FS



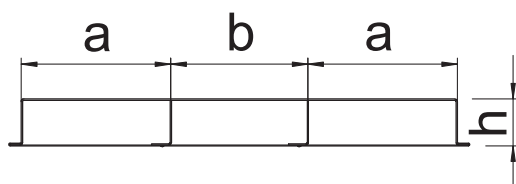
Underfloor installation duct, 3-compartment



Underfloor installation duct for laying cables under the floor.

Type	Width mm	Length mm	Height mm	Number of compart- ments pc.	Pack m	Weight kg/100 m	Item no.
S3 25048	250	2000	48	3	2	500.000	7400332
S3 35048	350	2000	48	3	2	607.000	7400344

Dimensions

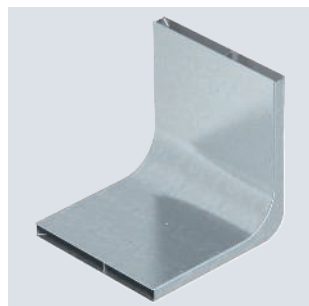


Type	Dim. a mm	Dim. b mm	Dim. h mm	Cross- section draw a mm ²	Cross- section draw b mm ²
S3 25048	90	70	48	4048	3174
S3 35048	120	110	48	5428	5014

Vertical bend, 28 mm

Vertical bend, two-compartment, height 28 mm

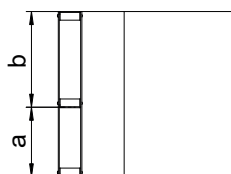
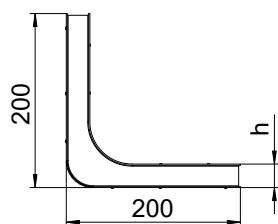
St FS



Type	Width mm	Number of compartments pc.	Height mm	Pack Piece	Weight kg/100 pc.	Item no.
KV2 19028	190	2	28	1	160.000	7400620
KV2 25028	250	2	28	1	201.000	7400632

For vertical direction changes of screed-covered underfloor installation ducts (wall connections, supplies).

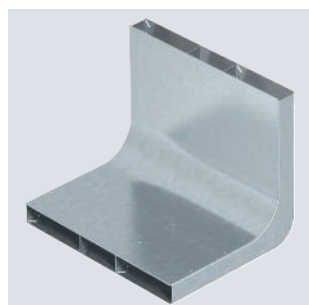
Dimensions



Type	Dim. a mm	Dim. b mm	Dim. h mm	Cross-section draw a mm ²	Cross-section draw b mm ²
KV2 19028	80	110	28	2028	2808
KV2 25028	110	140	28	2808	3588

Vertical bend, three-compartment, height 28 mm

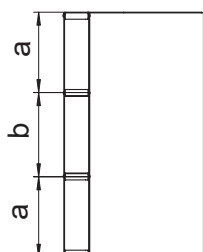
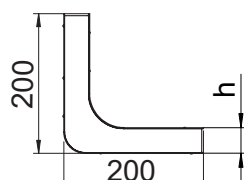
St FS



Type	Width mm	Number of compartments pc.	Height mm	Pack Piece	Weight kg/100 pc.	Item no.
KV3 25028	250	3	28	1	213.000	7400644
KV3 35028	350	3	28	1	275.000	7400656

For vertical direction changes of screed-covered underfloor installation ducts (wall connections, supplies).

Dimensions



Type	Dim. a mm	Dim. b mm	Dim. h mm	Cross-section draw a mm ²	Cross-section draw b mm ²
KV3 25028	90	70	28	2288	1794
KV3 35028	120	110	28	3068	2834

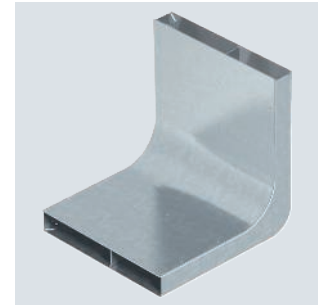
St FS



Vertical bend, two-compartment, height 38 mm

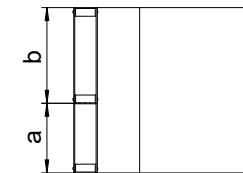
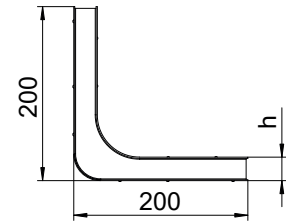
Type	Width mm	Number of compartments pc.	Height mm	Pack Piece	Weight kg/100 pc.	Item no.
KV2 19038	190	2	38	1	170.000	7400624
KV2 25038	250	2	38	1	210.000	7400636

For vertical direction changes of screed-covered underfloor installation ducts (wall connections, supplies).



Type	Dim. a mm	Dim. b mm	Dim. h mm	Cross-section draw a mm ²	Cross-section draw b mm ²
KV2 19038	80	110	38	2808	3888
KV2 25038	110	140	38	3888	4968

Dimensions



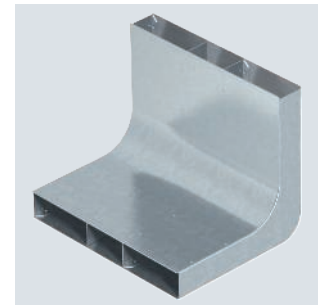
St FS



Vertical bend, three-compartment, height 38 mm

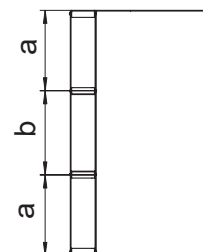
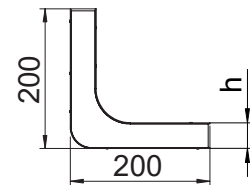
Type	Width mm	Number of compartments pc.	Height mm	Pack Piece	Weight kg/100 pc.	Item no.
KV3 25038	250	3	38	1	223.000	7400648
KV3 35038	350	3	38	1	286.000	7400660

For vertical direction changes of screed-covered underfloor installation ducts (wall connections, supplies).



Type	Dim. a mm	Dim. b mm	Dim. h mm	Cross-section draw a mm ²	Cross-section draw b mm ²
KV3 25038	90	70	38	3168	2484
KV3 35038	120	110	38	4248	3924

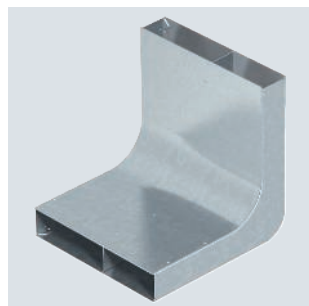
Dimensions



Vertical bend, 48 mm

Vertical bend, two-compartment, height 48 mm

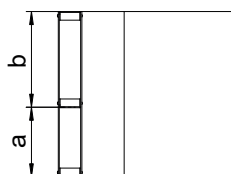
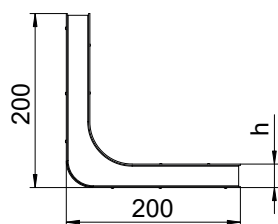
St FS



Type	Width mm	Number of compartments pc.	Height mm	Pack Piece	Weight kg/100 pc.	Item no.
KV2 19048	190	2	48	1	176.000	7400628
KV2 25048	250	2	48	1	215.000	7400640

For vertical direction changes of screed-covered underfloor installation ducts (wall connections, supplies).

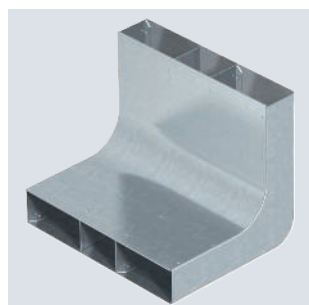
Dimensions



Type	Dim. a mm	Dim. b mm	Dim. h mm	Cross-section draw a mm ²	Cross-section draw b mm ²
KV2 19048	80	110	48	3588	4968
KV2 25048	110	140	48	4968	6348

Vertical bend, three-compartment, height 48 mm

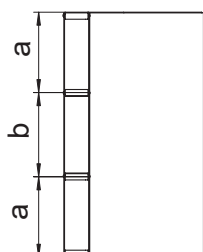
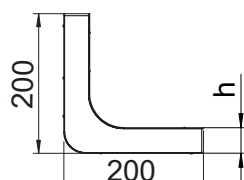
St FS



Type	Width mm	Number of compartments pc.	Height mm	Pack Piece	Weight kg/100 pc.	Item no.
KV3 25048	250	3	48	1	233.000	7400652
KV3 35048	350	3	48	1	296.000	7400664

For vertical direction changes of screed-covered underfloor installation ducts (wall connections, supplies).

Dimensions



Type	Dim. a mm	Dim. b mm	Dim. h mm	Cross-section draw a mm ²	Cross-section draw b mm ²
KV3 25048	90	70	48	4048	3174
KV3 35048	120	110	48	5428	5014



St FS



Connection shackle, height 28 mm

Type	Dim. a mm	Trun-king height mm	Pack Piece	Weight kg/100 pc.	Item no.
VL 19028E	190	28	1	24.900	7400960
VL 25028E	250	28	1	32.300	7400966
VL 35028E	350	28	1	36.800	7400972



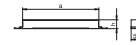
Duct connectors for conductive mounting of screed-covered underfloor installation duct.

St FS



Connection shackle, height 38 mm

Type	Dim. a mm	Trun-king height mm	Pack Piece	Weight kg/100 pc.	Item no.
VL 19038E	190	38	1	25.800	7400962
VL 25038E	250	38	1	33.100	7400968
VL 35038E	350	38	1	40.400	7400974



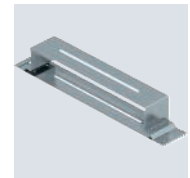
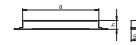
Duct connectors for conductive mounting of screed-covered underfloor installation duct.

St FS



Connection shackle, height 48 mm

Type	Dim. a mm	Trun-king height mm	Pack Piece	Weight kg/100 pc.	Item no.
VL 19048E	190	48	1	26.600	7400964
VL 25048E	250	48	1	34.000	7400970
VL 35048E	350	48	1	41.200	7400976



Duct connectors for conductive mounting of screed-covered underfloor installation duct.

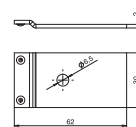
Duct connection bracket

St FS



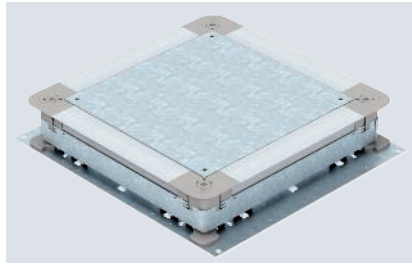
Duct connection bracket (conductive)

Type	Pack Piece	Weight kg/100 pc.	Item no.
VW E	20	2.800	7400980



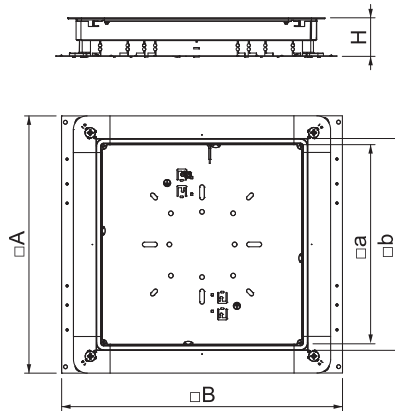
Connection brackets for the conductive connection between screed-covered duct and underfloor boxes UZD and UGD.

UZD250-3 for screed height 70–125 mm

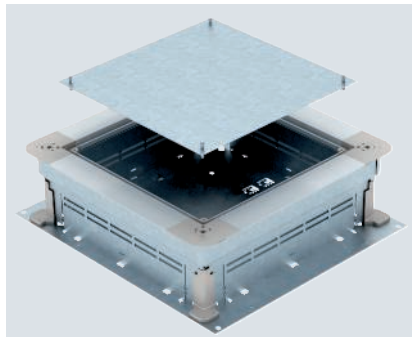


Underfloor junction and branch box for screed-covered underfloor installation ducts with sheet steel side walls. To mount installation units in the mounting lid (to be ordered separately). Height can be infinitely adjusted to the nominal screed height (rapid adjustment possible) and the screed can be worked flush to the screed scraping edge. With noise decoupling option after screed laying and can be used with system accessories, also for heavy-duty application.

Type	Dim. A mm	Dim. B mm	Dim. a mm	Dim. b mm	Screed height mm	Pack Piece	Weight kg/100 pc.	Item no.
UZD 250-3	367	410	262	283	70-125	1	420.000	7410030

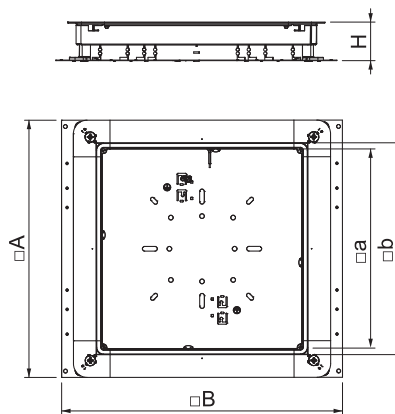


UZD250-3 for screed height 115–170 mm



Underfloor junction and branch box for screed-covered underfloor installation ducts with sheet steel side walls. To mount installation units in the mounting lid (to be ordered separately). Height can be infinitely adjusted to the nominal screed height (rapid adjustment possible) and the screed can be worked flush to the screed scraping edge. With noise decoupling option after screed laying and can be used with system accessories, also for heavy-duty application.

Type	Dim. A mm	Dim. B mm	Dim. a mm	Dim. b mm	Screed height mm	Pack Piece	Weight kg/100 pc.	Item no.
UZD 115170 250-3	367	410	262	283	115-170	1	480.000	7410043

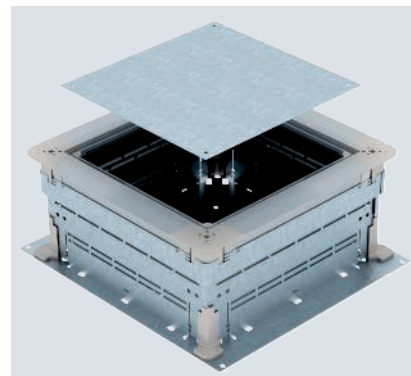
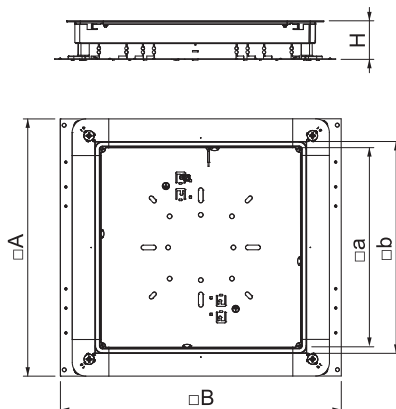


St FS



UZD250-3 for screed height 165–220 mm

Type	Dim. A mm	Dim. B mm	Dim. a mm	Dim. b mm	Screed height mm	Pack Piece	Weight kg/100 pc.	Item no.
UZD 165220 250-3	367	410	262	283	165-220	1	530.000	7410052



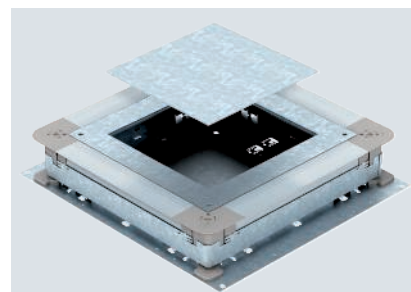
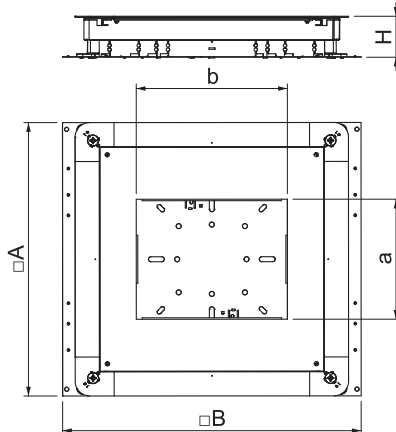
Underfloor junction and branch box for screed-covered underfloor installation ducts with sheet steel side walls. To mount installation units in the mounting lid (to be ordered separately). Height can be infinitely adjusted to the nominal screed height (rapid adjustment possible) and the screed can be worked flush to the screed scraping edge. With noise decoupling option after screed laying and can be used with system accessories, also for heavy-duty application.

St FS



UGD250-3 for rectangular installation units, for screed height 70–125 mm

Type	Dim. A mm	Dim. B mm	Dim. a mm	Dim. b mm	Screed height mm	Nominal size	Pack Piece	Weight kg/100 pc.	Item no.
UGD 250-3 4	367	410	201	201	70-125	4	1	594.000	7410079
UGD 250-3 6	367	410	201	253	70-125	6	1	584.000	7410083
UGD 250-3 9	367	410	244	244	70-125	9	1	580.000	7410087

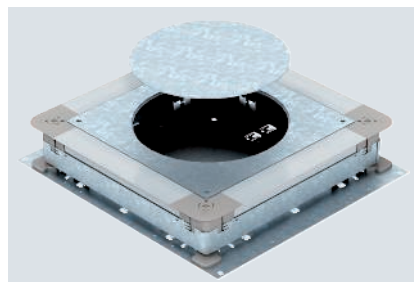


Underfloor accessory socket for screed-covered underfloor installation ducts with sheet steel side walls. To mount installation units of the selected nominal size. Height can be infinitely adjusted to the nominal screed height (rapid adjustment possible) and the screed can be worked flush to the screed scraping edge. With noise decoupling option after screed laying and can be used with system accessories, also for heavy-duty application.

EÜK underfloor sockets 250

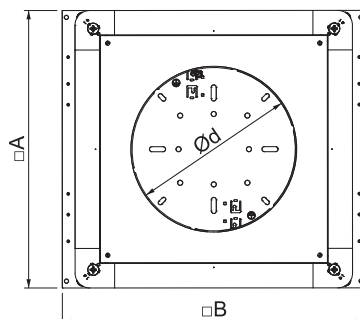
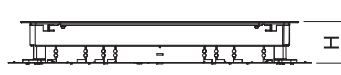
UGD250-3 for round installation units, for screed height 70–125 mm

St FS



Underfloor accessory socket for screed-covered underfloor installation ducts with sheet steel side walls. To mount installation units of the selected nominal size. Height can be infinitely adjusted to the nominal screed height (rapid adjustment possible) and the screed can be worked flush to the screed scraping edge. With noise decoupling option after screed laying and can be used with system accessories, also for heavy-duty application.

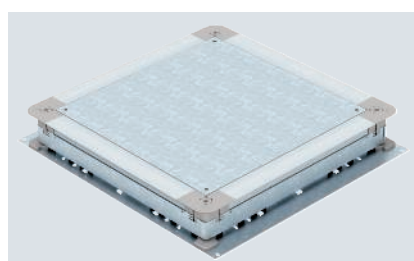
Type	Dim. A mm	Dim. B mm	Dimen- sion d mm	Screed height mm	Nominal size	Pack Piece	Weight kg/100 pc.	Item no.
UGD 250-3R4	367	410	215	70-125	R4	1	594.000	7410091



EÜK underfloor sockets 350

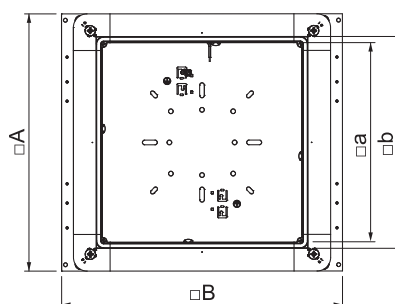
UZD350-3 for screed height 70–125 mm

St FS



Underfloor junction and branch box for screed-covered underfloor installation ducts with sheet steel side walls. To mount installation units in the mounting lid (to be ordered separately). Height can be infinitely adjusted to the nominal screed height (rapid adjustment possible) and the screed can be worked flush to the screed scraping edge. With noise decoupling option after screed laying and can be used with system accessories, also for heavy-duty application.

Type	Dim. A mm	Dim. B mm	Dim. a mm	Dim. b mm	Screed height mm	Pack Piece	Weight kg/100 pc.	Item no.
UZD 350-3	467	510	362	383	70-125	1	590.000	7410034

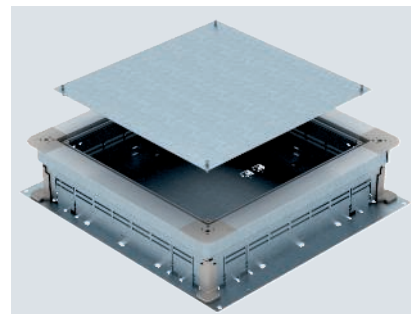
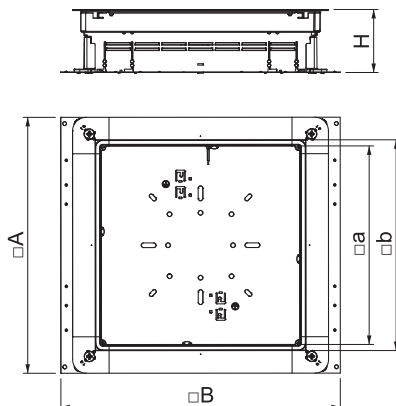


St FS



UZD350-3 for screed height 115–170 mm

Type	Dim. A mm	Dim. B mm	Dim. a mm	Dim. b mm	Screed height mm	Pack Piece	Weight kg/100 pc.	Item no.
UZD 115170 350-3	467	510	362	383	115-170	1	665.000	7410047



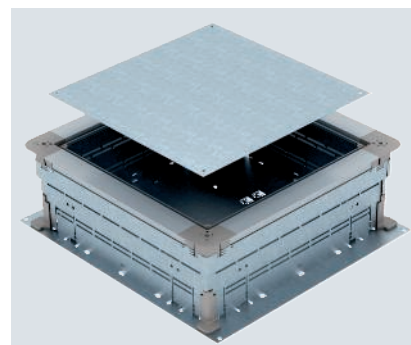
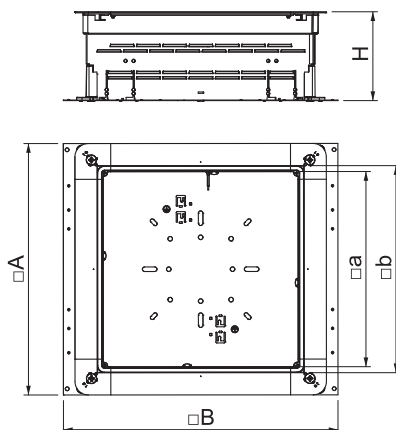
Underfloor junction and branch box for screed-covered underfloor installation ducts with sheet steel side walls. To mount installation units in the mounting lid (to be ordered separately). Height can be infinitely adjusted to the nominal screed height (rapid adjustment possible) and the screed can be worked flush to the screed scraping edge. With noise decoupling option after screed laying and can be used with system accessories, also for heavy-duty application.

St FS



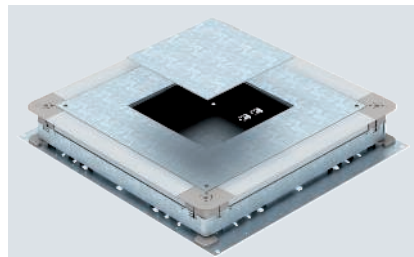
UZD350-3 for screed height 165–220 mm

Type	Dim. A mm	Dim. B mm	Dim. a mm	Dim. b mm	Screed height mm	Pack Piece	Weight kg/100 pc.	Item no.
UZD 165220 350-3	467	510	362	383	165-220	1	740.000	7410056



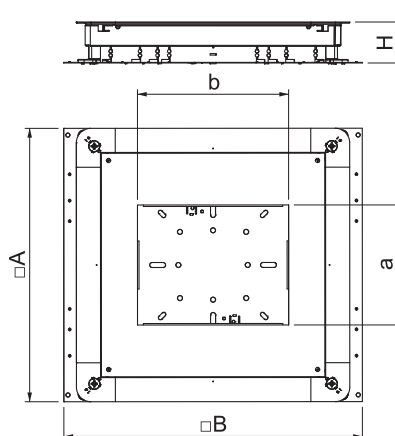
Underfloor junction and branch box for screed-covered underfloor installation ducts with sheet steel side walls. To mount installation units in the mounting lid (to be ordered separately). Height can be infinitely adjusted to the nominal screed height (rapid adjustment possible) and the screed can be worked flush to the screed scraping edge. With noise decoupling option after screed laying and can be used with system accessories, also for heavy-duty application.

UGD350-3 for rectangular installation units, for screed height 70–125 mm

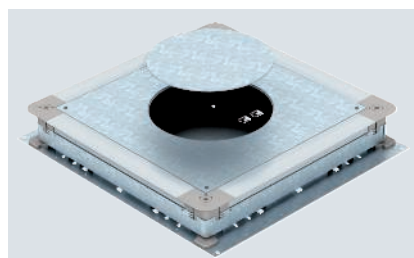


Underfloor accessory socket for screed-covered underfloor installation ducts with sheet steel side walls. To mount installation units of the selected nominal size. Height can be infinitely adjusted to the nominal screed height (rapid adjustment possible) and the screed can be worked flush to the screed scraping edge. With noise decoupling option after screed laying and can be used with system accessories, also for heavy-duty application.

Type	Dim. A mm	Dim. B mm	Dim. a mm	Dim. b mm	Screed height mm	Nominal size	Pack Piece	Weight kg/100 pc.	Item no.
UGD 350-3 4	467	510	201	201	70-125	4	1	910.000	7410104
UGD 350-3 6	467	510	201	253	70-125	6	1	898.000	7410108
UGD 350-3 9	467	510	244	244	70-125	9	1	895.000	7410112

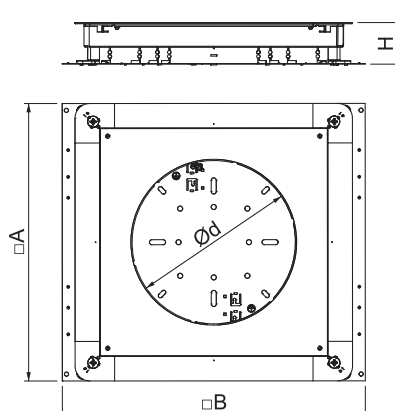


UGD350-3 for round installation units, for screed height 70–125 mm



Underfloor accessory socket for screed-covered underfloor installation ducts with sheet steel side walls. To mount installation units of the selected nominal size. Height can be infinitely adjusted to the nominal screed height (rapid adjustment possible) and the screed can be worked flush to the screed scraping edge. With noise decoupling option after screed laying and can be used with system accessories, also for heavy-duty application.

Type	Dim. A mm	Dim. B mm	Dimension d mm	Screed height mm	Nominal size	Pack Piece	Weight kg/100 pc.	Item no.
UGD 350-3 R4	467	510	215	70-125	R4	1	910.000	7410116
UGD 350-3 R7	467	510	275	70-125	R7	1	887.000	7410120
UGD 350-3 R9	467	510	305	70-125	R9	1	880.000	7410124





System 55 for thin screed layers

Low floor structure heights require special solutions for underfloor installations. System 55 is used for screed heights of 55 mm plus floor covering or higher. It is ideal for supplying large areas, particularly in offices and administrative buildings. The duct and trunking systems can be adapted to meet the specific requirements of the construction project and comprise screed-covered and screed-flush solution variants.

The System 55 service outlets have a fixed construction height of 55 mm. This allows simple installation of sockets, data and multimedia connections from the Modul 45® series from OBO Bettermann.

Screed-flush system

The open, screed-flush OKA trunking system provides the highest level of flexibility in cable routing. The lids of the trunking can be opened, meaning that the electrical installation can be accessed at any time.



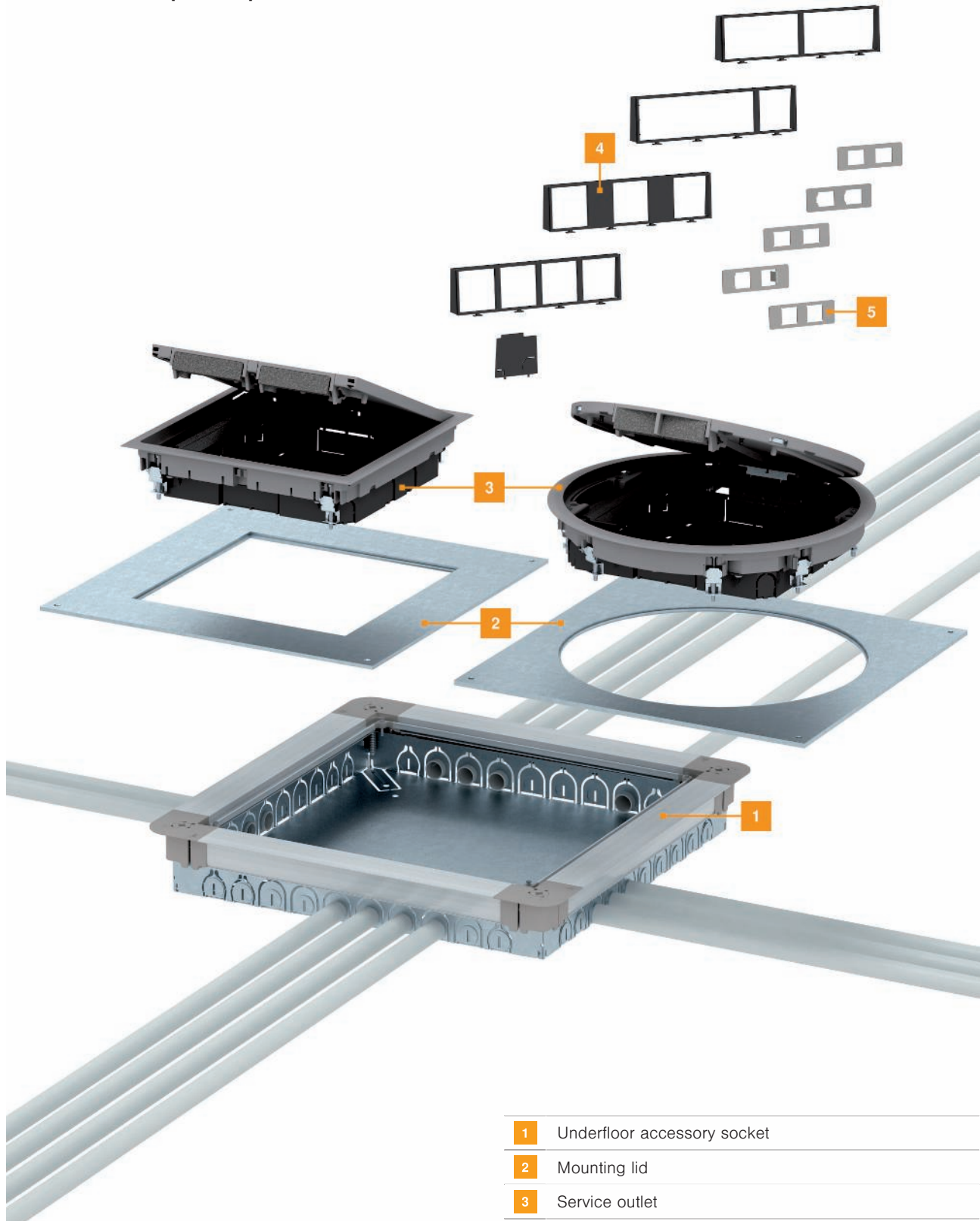
Screed-covered system

The closed, screed-covered EÜK underfloor system allows invisible cable routing, hidden in the screed, via installation pipes.



EÜK underfloor installation duct for thin screed layers

Installation principle



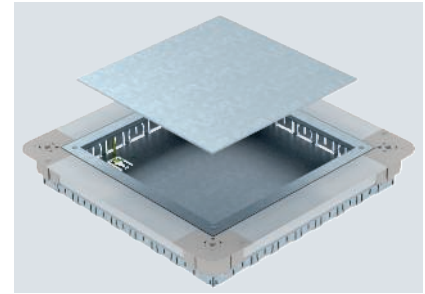
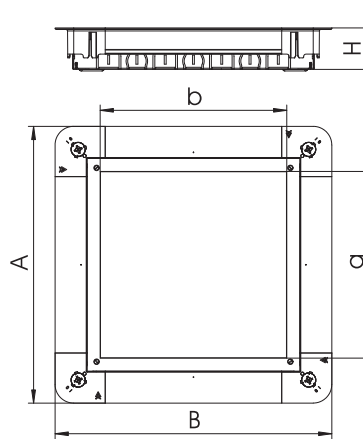
- | | |
|---|---|
| 1 | Underfloor accessory socket |
| 2 | Mounting lid |
| 3 | Service outlet |
| 4 | Installation frame for Modul 45 accessories |
| 5 | Mounting plate for the installation of data sockets |

St FS



UGD250-3 underfloor box for GES9R/55

Type	Dim.	Dim.	Dim.	Dim.	Dim.	Screed height	Pack Piece	Weight kg/100 pc.	Item no.
	A mm	B mm	a mm	b mm	h mm				
UGD55 250-3 9R	367	367	244	244	55	55-80	1	430.000	7410060



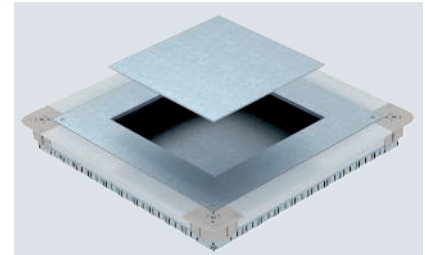
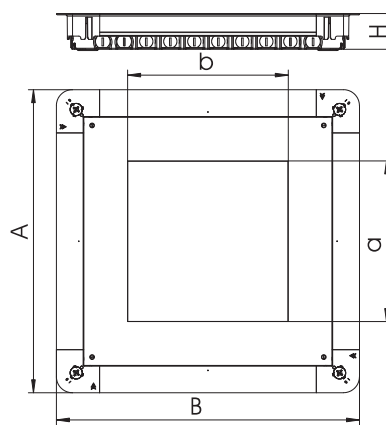
Underfloor accessory box with mounting lid and lid blanking plate with sheet steel side walls. For the installation of a square GES9 55 service outlet in screed heights of 55 mm or more. Height can be infinitely adjusted to the nominal screed height and the screed can be worked flush to the screed scraping edge. With 7 x M20, 3 x M25, 4 x M32 pipe insertion openings on each side. Usable pipe size at a system height of 55 mm: M20.

St FS



Underfloor box UGD350-3 for GES9/55

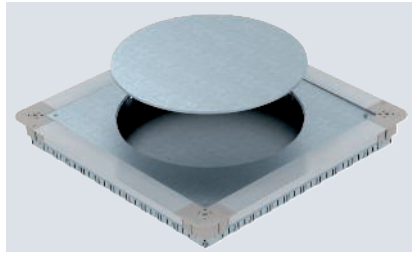
Type	Dim.	Dim.	Dim.	Dim.	Dim.	Screed height	Pack Piece	Weight kg/100 pc.	Item no.
	A mm	B mm	a mm	b mm	h mm				
UGD55 350-3 9R	467	467	244	244	55	55-80	1	790.000	7410062



Underfloor accessory box with mounting lid and lid blanking plate with sheet steel side walls. For the installation of a square GES9 55 service outlet in screed heights of 55 mm or more. Height can be infinitely adjusted to the nominal screed height and the screed can be worked flush to the screed scraping edge. With 7 x M20, 3 x M25, 4 x M32 pipe insertion openings on each side. Usable pipe size at a system height of 55 mm: M20.

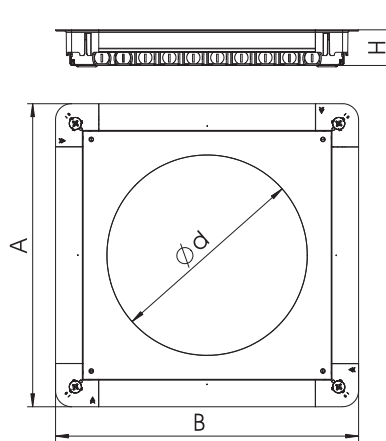
EÜK underfloor sockets for thin screed layers

Underfloor box UGD350-3 for GESR9/55



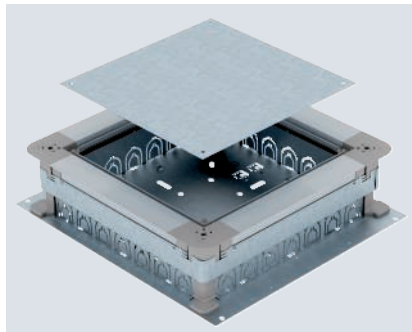
Underfloor accessory socket with mounting lid and lid blanking plate with sheet steel side walls. For the installation of a square GES9 55 service outlet in screed heights of 55 mm or more. Height can be infinitely adjusted to the nominal screed height and the screed can be worked flush to the screed scraping edge. With 7 x M20, 3 x M25, 4 x M32 pipe insertion openings on each side. Usable pipe size at a system height of 55 mm: M20.

Type	Dim. A mm	Dim. B mm	Dimen- sion d mm	Screed height mm	Pack Piece	Weight kg/100 pc.	Item no.
UGD55 350-3R9R	467	467	305	55-80	1	775.000	7410064



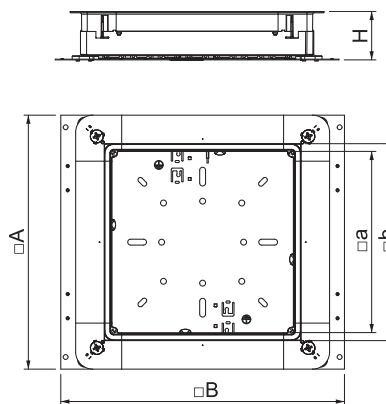
EÜK underfloor sockets with pipe insertion

UZD250-3 with pipe entry for screed height 70–125 mm



Underfloor junction and branch box for 7 installation pipes on each side (M20 or M32) with sheet steel side walls. To mount installation units in the mounting lid (to be ordered separately). Height can be infinitely adjusted to the nominal screed height (rapid adjustment possible) and the screed can be worked flush to the screed scraping edge. With noise decoupling option after screed laying and can be used with system accessories, also for heavy-duty application.

Type	Dim. A mm	Dim. B mm	Dim. a mm	Dim. b mm	Screed height mm	Pack Piece	Weight kg/100 pc.	Item no.
UZD 250-3 R	367	410	262	283	70-125	1	436.000	7410031

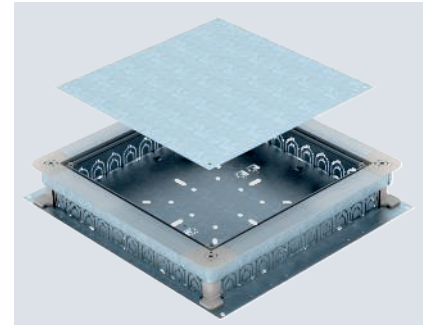
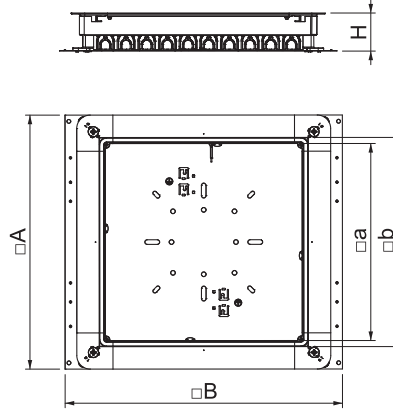


St FS



UZD350-3 with pipe entry for screed height 70–125 mm

Type	Dim. A	Dim. B	Dim. a	Dim. b	Screed height mm	Pack Piece	Weight kg/100 pc.	Item no.
	mm	mm	mm	mm				
UZD 350-3 R	467	510	362	383	70-125	1	590.000	7410035

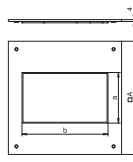
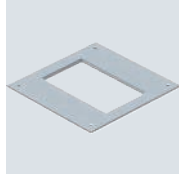


Underfloor junction and branch box for 10 installation pipes on each side (M20 or M32) with sheet steel side walls. To mount installation units in the mounting lid (to be ordered separately). Height can be infinitely adjusted to the nominal screed height (rapid adjustment possible) and the screed can be worked flush to the screed scraping edge. With noise decoupling option after screed laying and can be used with system accessories, also for heavy-duty application.

Mounting lid 250

Mounting lid 250, nominal size 2

St FS

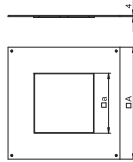
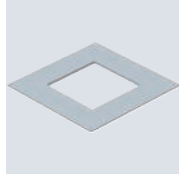


Type	Dim. A mm	Dim. a mm	Dim. b mm	Nominal size	Pack Piece	Weight kg/100 pc.	Item no.
DUG 250-3 2	282	105	181	2	1	180.000	7400455

Mounting lid for underfloor junction and branch box of type UZD250-3 for the installation of an installation unit of nominal size 2. Installation opening 3 mm recessed for later blanking lock with lid blind plate.

Mounting lid 250, nominal size 4

St FS

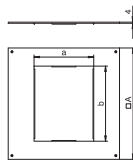
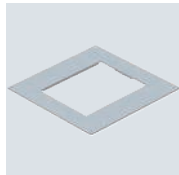


Type	Dim. A mm	Dim. a mm	Nominal size	Pack Piece	Weight kg/100 pc.	Item no.
DUG 250-3 4	282	201	4	1	121.000	7400459

Mounting lid for underfloor junction and branch box of type UZD250-3 for the installation of an installation unit of nominal size 4. Installation opening 3 mm recessed for later blanking lock with lid blind plate.

Mounting lid 250, nominal size 6

St FS

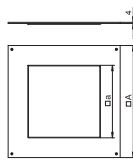
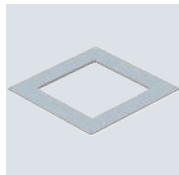


Type	Dim. A mm	Dim. a mm	Dim. b mm	Nominal size	Pack Piece	Weight kg/100 pc.	Item no.
DUG 250-3 6	282	201	253	6	1	89.000	7400463

Mounting lid for underfloor junction and branch box of type UZD250-3 for the installation of an installation unit of nominal size 6. Installation opening 3 mm recessed for later blanking lock with lid blind plate.

Mounting lid 250 for installation units of nominal size 9

St FS

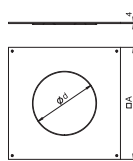
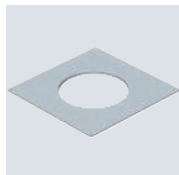


Type	Dim. A mm	Dim. a mm	Nominal size	Pack Piece	Weight kg/100 pc.	Item no.
DUG 250-3 9	282	244	9	1	62.000	7400467

Mounting lid for underfloor junction and branch box of type UZD250-3 for the installation of an installation unit of nominal size 9. Installation opening 3 mm recessed for later blanking lock with lid blind plate.

Mounting lid 250 for installation units of nominal size R4

St FS



Type	Dim. A mm	Dimension d mm	Nominal size	Pack Piece	Weight kg/100 pc.	Item no.
DUG 250-3 R4	282	215	R4	1	131.000	7400471

Mounting lid for underfloor junction and branch boxes of type UZD250-3 for the installation of an installation unit of nominal size R4. Installation opening 3 mm recessed as a later blanking lock with lid blind plate.



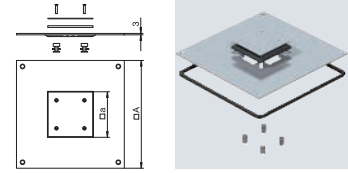
St FS



Mounting lid 250 for Telitank

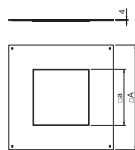
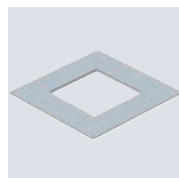
Type	Dim.	Dim.	Pack Piece	Weight kg/100 pc.	Item no.
	A mm	a mm			
DUF 250-3DAT	282	100	1	240.000	7400613

Mounting lid for underfloor junction and branch box of type UZD250-3 to install a Telitank. Installation opening 3 mm recessed as a later blanking lock with lid blind plate.



Mounting lid DUG 350-3 4

St FS

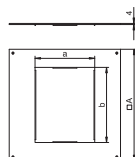
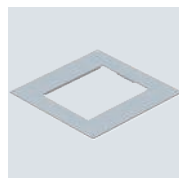


Type	Dim. A mm	Dim. a mm	Dim. b mm	Pack Piece	Weight kg/100 pc.	Item no.
DUG 350-3 4	383	201	—	1	320.000	7400505

Mounting lid for underfloor junction and branch box of type UZD350-2 and UZD350-3 for the installation or creation of an installation unit. Installation opening 3 mm recessed as a later blanking lock with lid blind plate.

Mounting lid 350, nominal size 6

St FS

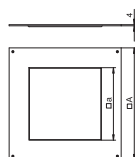
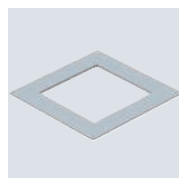


Type	Dim. A mm	Dim. a mm	Dim. b mm	Nominal size	Pack Piece	Weight kg/100 pc.	Item no.
DUG 350-3 6	383	201	253	6	1	290.000	7400509

Mounting lid for underfloor junction and branch box of type UZD350-3 for the installation of an installation unit of nominal size 6. Installation opening 3 mm recessed for later blanking lock with lid blanking plate.

Mounting lid 350, nominal size 9

St FS

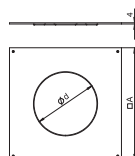
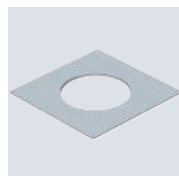


Type	Dim. A mm	Dim. a mm	Nominal size	Pack Piece	Weight kg/100 pc.	Item no.
DUG 350-3 9	383	244	9	1	267.000	7400513

Mounting lid for underfloor junction and branch box of type UZD350-3 for the installation of an installation unit of nominal size 9. Installation opening 3 mm recessed for later blanking lock with lid blanking plate.

Mounting lid 350, nominal size R4

St FS

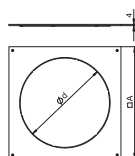
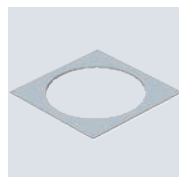


Type	Dim. A mm	Dimension d mm	Nominal size	Pack Piece	Weight kg/100 pc.	Item no.
DUG 350-3 R4	383	215	R4	1	335.000	7400517

Mounting lid for underfloor junction and branch boxes of type UZD350-2 for the installation of an installation unit of nominal size R4. Installation opening 3 mm recessed as a later blanking lock with lid blanking plate.

Mounting lid 350, nominal size R7

St FS



Type	Dim. A mm	Dimension d mm	Nominal size	Pack Piece	Weight kg/100 pc.	Item no.
DUG 350-3 R7	383	275	R7	1	260.000	7400533

Mounting lid for underfloor junction and branch boxes of type UZD350-3 for the installation of an installation unit of nominal size R7. Installation opening 3 mm recessed as a later blanking lock with lid blanking plate.

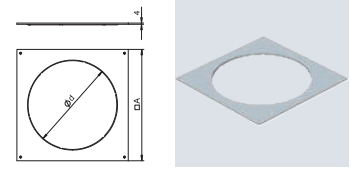
St FS



Mounting lid 350, nominal size R9

Type	Dim. A mm	Dimen- sion d mm	Nominal size	Pack Piece	Weight kg/100 pc.	Item no.
DUG 350-3 R9	383	305	R9	1	230.000	7400549

Mounting lid for underfloor junction and branch boxes of type UZD350-3 for the installation of an installation unit of nominal size R9. Installation opening 3 mm recessed as a later blanking lock with lid blanking plate.



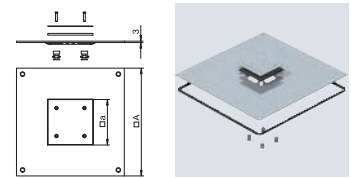
St FS



Mounting lid 350 for Telitank

Type	Dim. A mm	Dim. a mm	Pack Piece	Weight kg/100 pc.	Item no.
DUF 350-3 DAT	383	100	1	455.000	7400431

Mounting lid for underfloor junction and branch box of type UZD350-3 to install a Telitank. Installation opening 3 mm recessed as a later blanking lock with lid blanking plate.



Lid fastenings, underfloor connection sockets

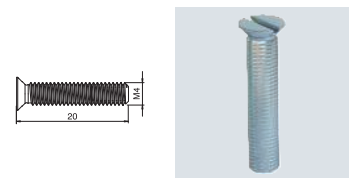
St G



Lid fastening screw

Type	Pack Piece	Weight kg/100 pc.	Item no.
DBS DUG	20	0.150	7400559

Lid fastening screws for underfloor sockets UZD-3 and UGD-3.



Blanking lid

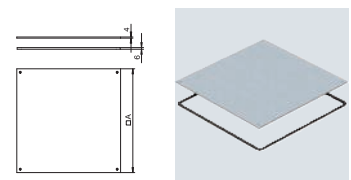
St FS



Blanking lid, moisture-protected, for UZD250-3

Type	Dim. A mm	Pack Piece	Weight kg/100 pc.	Item no.
DUF 250-2	282	1	250.000	7400589

Blanking lid for moisture-protected, frameless end cover of the underfloor junction and branch boxes of type UZD250-3.



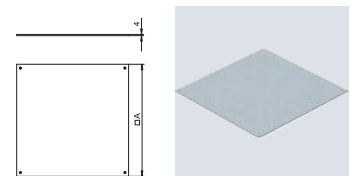
St FS



Blanking lid for UZD250-3

Type	Dim. A mm	Pack Piece	Weight kg/100 pc.	Item no.
DU 250-2	282	1	250.000	7400573

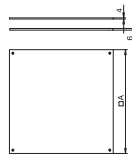
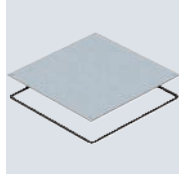
Blanking lid for frameless end cover of the underfloor junction and branch boxes of type UZD250-3.



Blanking lid

Blanking lid, moisture-protected, for UZD350-3

St FS

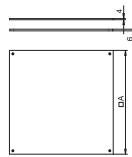
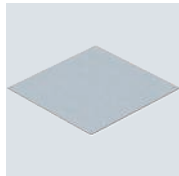


Type	Dim.	Pack	Weight		Item no.
	A		Piece	kg/100 pc.	
DUF 350-2	383	1	466.000		7400597

Blanking lid for moisture-protected, frameless end cover of the underfloor junction and branch boxes of type UZD350-3.

Blanking lid for UZD350-3

St FS

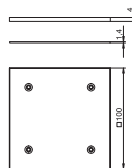
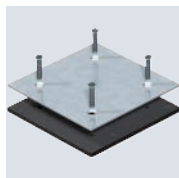


Type	Dim.	Pack	Weight		Item no.
	A		Piece	kg/100 pc.	
DU 350-2	383	1	440.000		7400577

Blanking lid for frameless end cover of the underfloor junction and branch boxes of type UZD350-3.

Blind plate for Telitank mounting opening

St FS

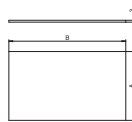
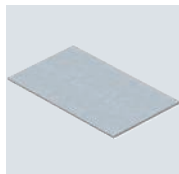


Type	Pack	Weight		Item no.
		Piece	kg/100 pc.	
DAT F	1	12.200		7407076

Lid blind plate for later blank covering of the DAT mounting opening. With rubber sealing plate for moisture protection according to DIN EN 50085-2-2, including fastening screws.

Lid blind plate for rectangular mounting opening

St FS

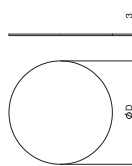
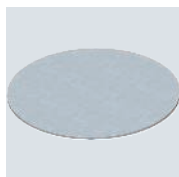


Type	Dim.	Dim.	Nominal size	Pack	Weight		Item no.
	A	B			Piece	kg/100 pc.	
DUG B 2	109	185	2	1	47.200		7407164
DUG B 4	205	205	4	1	98.500		7407168
DUG B 6	205	258	6	1	123.400		7407172
DUG B 9	247	247	9	1	142.400		7407180

Lid blind plate for flushfloor closing of a rectangular mounting opening in a DUG mounting lid. The size of the mounting opening can be determined from the type designation.

Lid blind plate for round mounting opening

St FS



Type	Dimen-	Nominal size	Pack	Weight		Item no.
	sion d			Piece	kg/100 pc.	
DUG B R4	219	R4	1	88.500		7407152
DUG B R7	279	R7	1	142.800		7407156
DUG B R9	309	R9	1	173.100		7407160

Lid blind plate for flushfloor closing of a round mounting opening in a DUG mounting lid. The size of the mounting opening can be determined from the type designation.



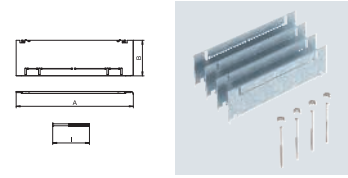
St FS



Height compensation set for UZD/UGD250-3 with height 70–125 mm

Type	Screed height mm	Dim. A mm	Dim. B mm	Dim. I mm	Pack Piece	Weight kg/100 pc.	Item no.
ASH250-3 B115170	115-170	330	80	112	1	76.500	7410142
ASH250-3 B165220	165-220	330	130	162	1	120.000	7410148

Height compensation set for underfloor boxes UZD250-3 and UGD250-3 with a construction height of 70 to 125 mm for construction stacking of the UZD/UGD, consisting of four fall plates, four height adjustment screws and four rotary locks.



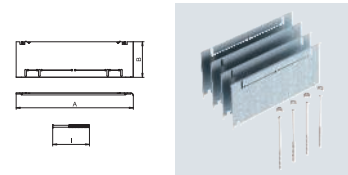
St FS



Height compensation set for UZD250-3 with height 115–170 mm

Type	Screed height mm	Dim. A mm	Dim. B mm	Dim. I mm	Pack Piece	Weight kg/100 pc.	Item no.
ASH250-3 165220	165-220	330	80	162	1	82.000	7410146

Height compensation set for underfloor boxes UZD250-3 with a construction height of 115 to 170 mm for construction stacking of the UZD, consisting of four fall plates, four height adjustment screws and four rotary locks.



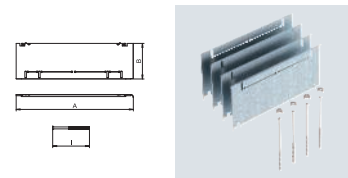
St FS



Height compensation set for UZD250-3 with height 165–220 mm

Type	Screed height mm	Dim. A mm	Dim. B mm	Dim. I mm	Pack Piece	Weight kg/100 pc.	Item no.
ASH250-3 215270	215-270	330	80	212	1	85.000	7410158
ASH250-3 265320	265-320	330	130	262	1	127.000	7410162

Height compensation set for underfloor boxes UZD250-3 with a construction height of 165 to 220 mm for construction stacking of the UZD, consisting of four fall plates, four height adjustment screws and four rotary locks.



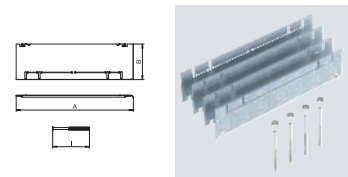
St FS



Height compensation set for UZD/UGD350-3 with height 70–125 mm

Type	Screed height mm	Dim. A mm	Dim. B mm	Dim. I mm	Pack Piece	Weight kg/100 pc.	Item no.
ASH350-3 B115170	115-170	430	80	112	1	97.000	7410150
ASH350-3 B165220	165-220	430	130	162	1	151.500	7410156

Height compensation set for underfloor boxes UZD350-3 and UGD350-3 with a construction height of 70 to 125 mm for construction stacking of the UZD/UGD, consisting of four fall plates, four height adjustment screws and four rotary locks.



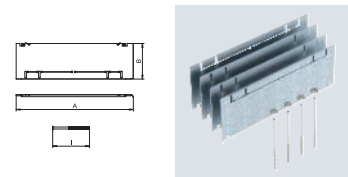
St FS



Height compensation set for UZD350-3 with height 115–170 mm

Type	Screed height mm	Dim. A mm	Dim. B mm	Dim. I mm	Pack Piece	Weight kg/100 pc.	Item no.
ASH350-3 165220	165-220	430	80	162	1	102.500	7410154

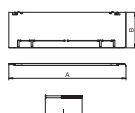
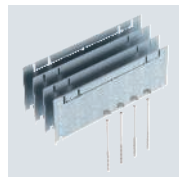
Height compensation set for underfloor boxes UZD350-3 with a construction height of 115 to 170 mm for construction stacking of the UZD, consisting of four fall plates, four height adjustment screws and four rotary locks.



Height compensation construction sets

Height compensation set for UZD350-3 with height 165–220 mm

St FS

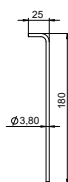
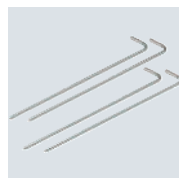


Type	Screed height mm	Dim. A mm	Dim. B mm	Dim. I mm	Pack Piece	Weight kg/100 pc.	Item no.
ASH350-3 215270	215-270	430	80	212	1	105.000	7410164
ASH350-3 265320	265-320	430	130	262	1	159.000	7410166

Height compensation set for underfloor boxes UZD350-3 with a construction height of 165 to 220 mm for construction stacking of the UZD, consisting of four fall plates, four height adjustment screws and four rotary locks.

Quick height adjustment

Quick height-adjustment aid



Type	Pack Piece	Weight kg/100 pc.	Item no.
SE UZD3	4	1.700	7410160

Quick release aid for underfloor boxes UZD-3 and UGD-3.

Adhesive tape

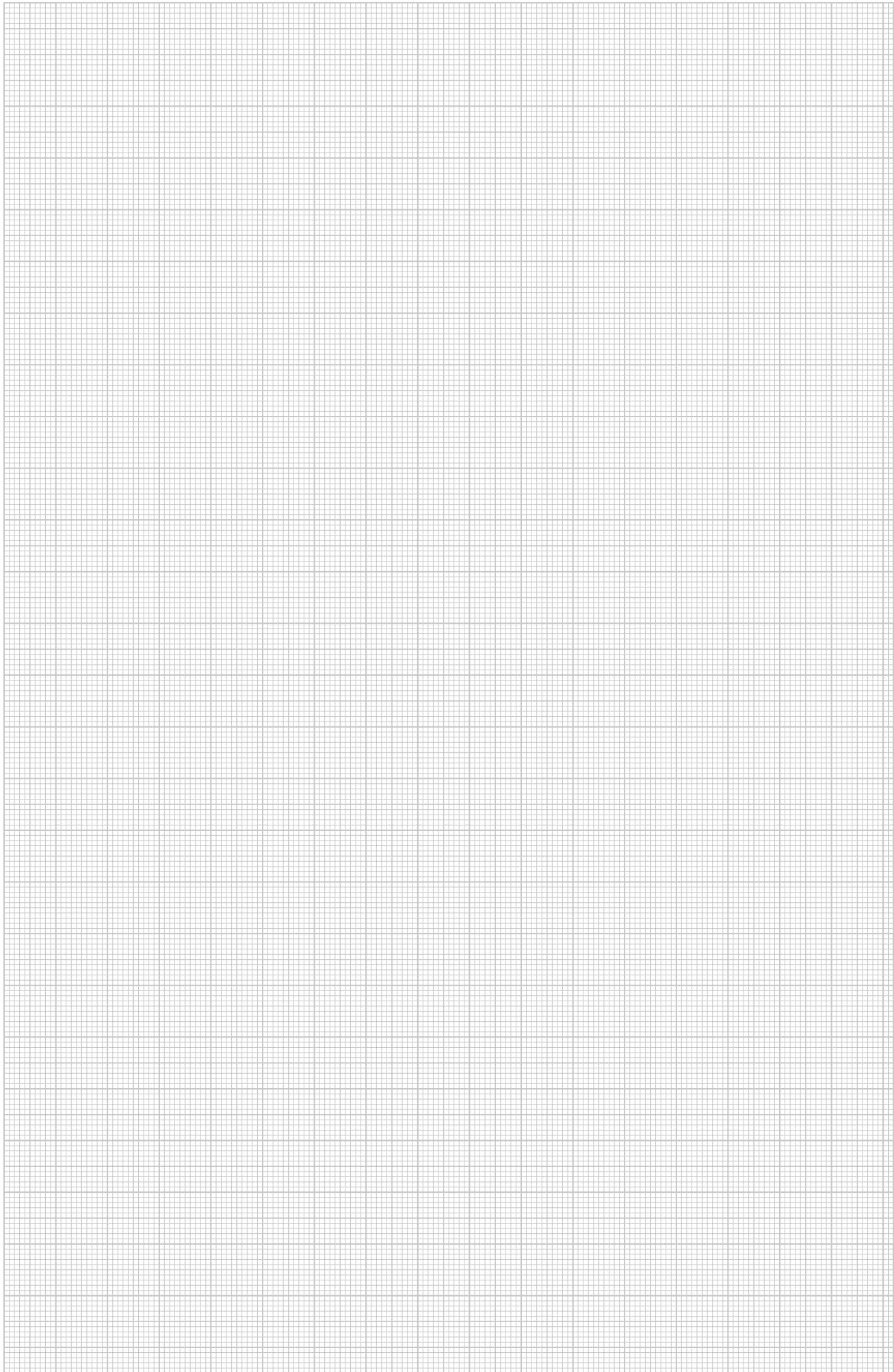
Adhesive tape



Type	Length m	Width mm	Pack Piece	Weight kg/100 pc.	Item no.
KB 50	50	48	1	56.000	7400558

The adhesive tape is used to seal and stabilise underfloor systems.



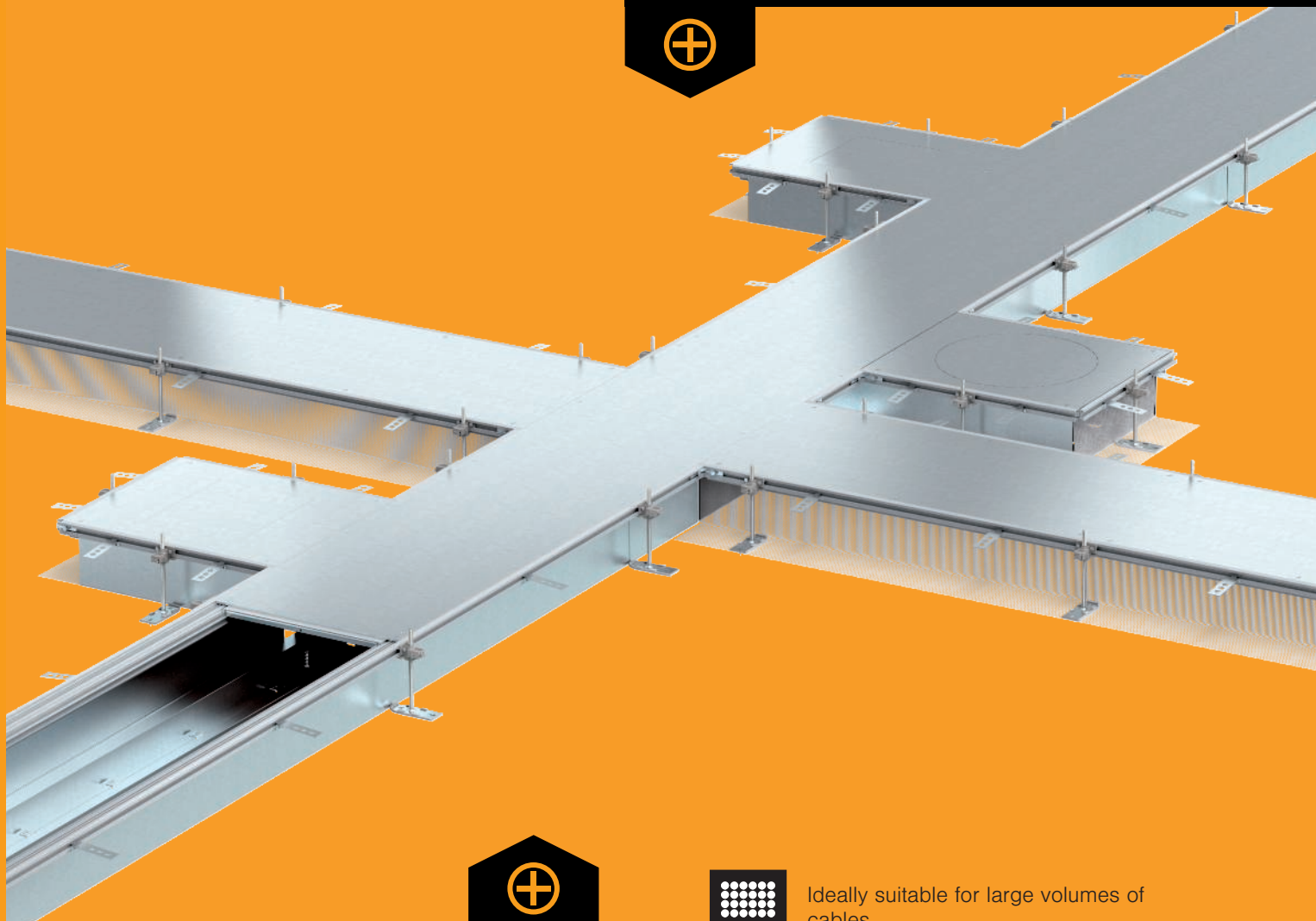


Open trunking system, screed-flush OKA

The OKA open trunking system is a flexible system for in-screed cable routing. The trunking lids can also be opened along the whole length – even when installed with a floor covering. This means that the electrical installation in the trunking can be adapted at any time. Additional mounting benefits, such as lowerable floor covering profiles or rapid height-adjustment units, offer a great deal of flexibility and security for professional underfloor installations.

Underfloor applications, in screed

- Trunking side walls made of flexible metal mesh
- Good adjustment to uneven floors
- Combination option of the OKA-G and OKA-W systems
- For dry and wet-cleaned floors



- Screw-on or lockable lid
- High flexibility for changes of use
- System width 200–600 mm



Ideally suitable for large volumes of cables



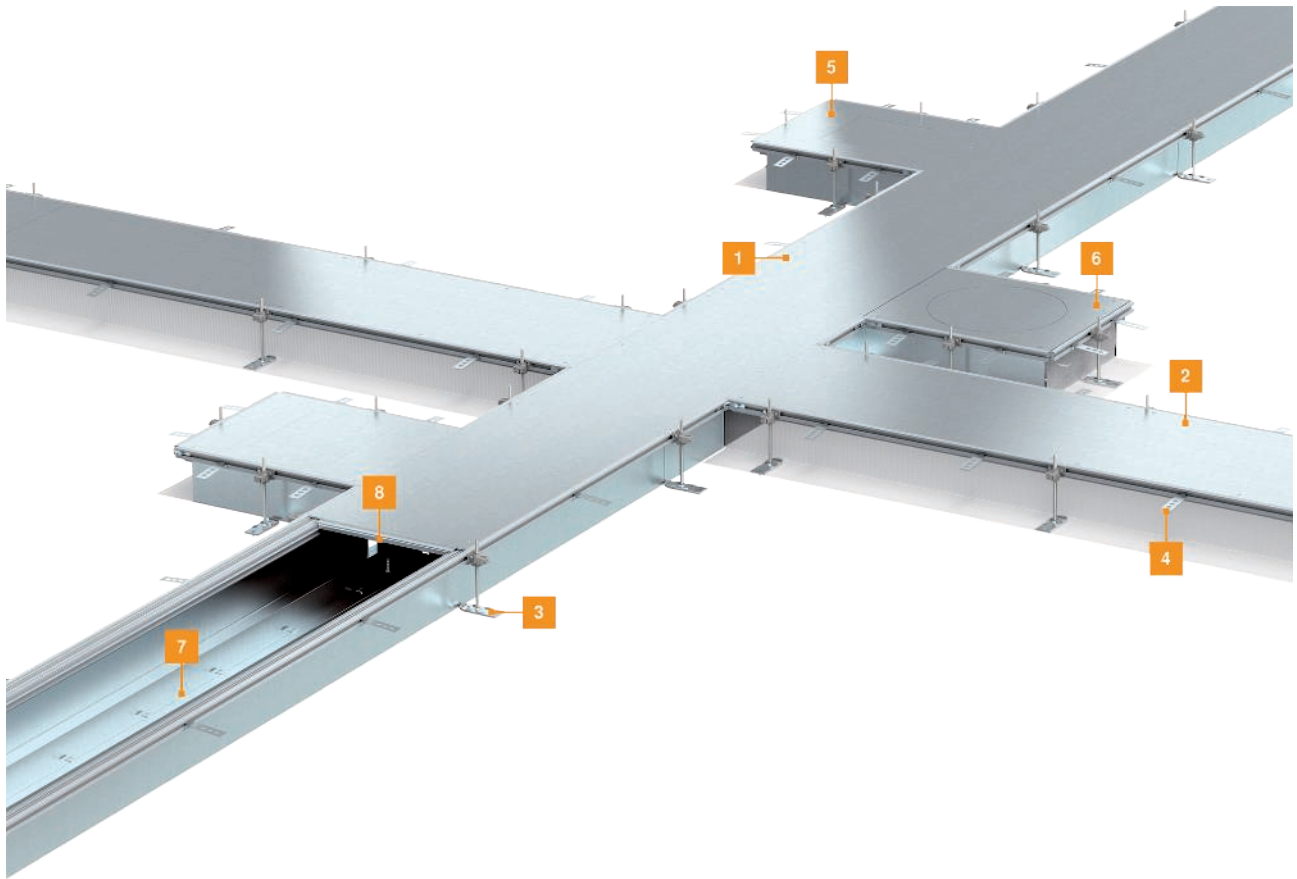
Simple reinstallation and highest flexibility



Long-life thanks to robust construction

OKA open trunking system, screed-flush

Installation principle



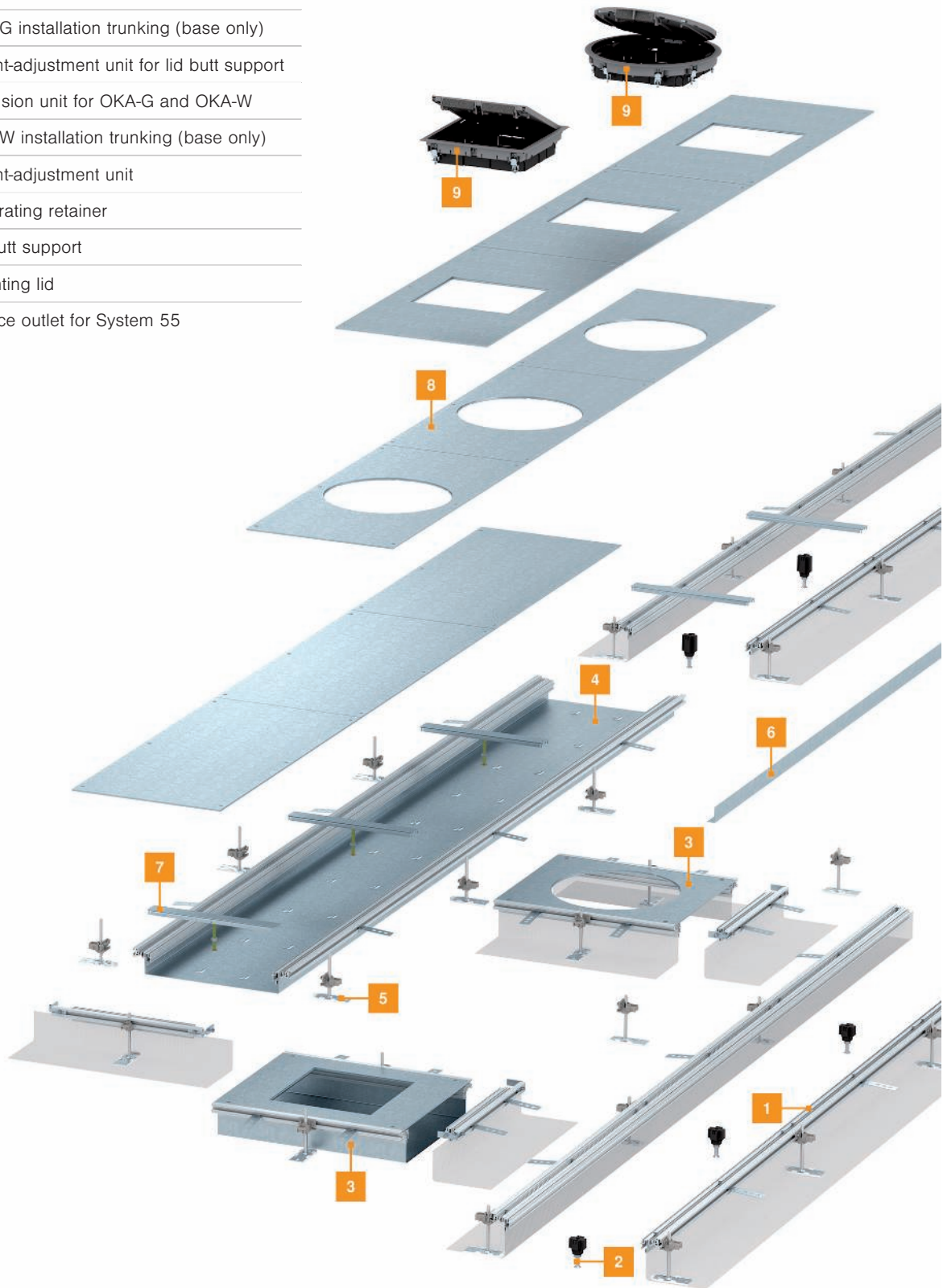
- | | |
|---|--|
| 1 | OKA-W installation trunking |
| 2 | OKA-G installation trunking |
| 3 | Height-adjustment unit |
| 4 | Screed tie |
| 5 | OKA-W extension unit with blank, closed mounting opening |
| 6 | OKA-G extension unit with blank, closed mounting opening |
| 7 | Separating retainer |
| 8 | Lid butt support |



Open trunking system, screed-flush OKA for thin screed layers

Installation principle

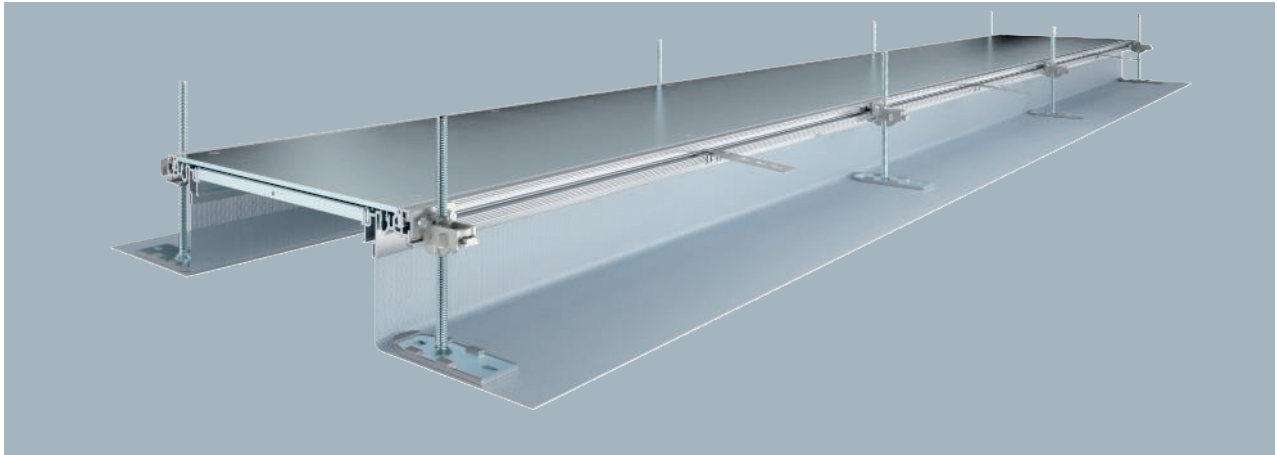
- 1 OKA-G installation trunking (base only)
- 2 Height-adjustment unit for lid butt support
- 3 Extension unit for OKA-G and OKA-W
- 4 OKA-W installation trunking (base only)
- 5 Height-adjustment unit
- 6 Separating retainer
- 7 Lid butt support
- 8 Mounting lid
- 9 Service outlet for System 55



St FS



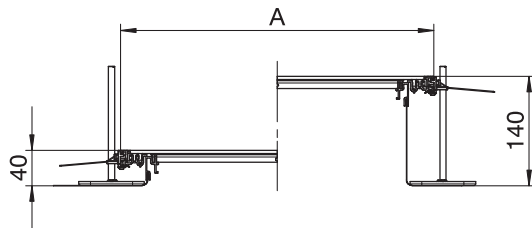
Trunking unit, blank, height 40–140 mm



With three blanking lids (L = 800 mm).

Ready-to-mount trunking unit for cable routing consisting of 3 blind lids, 2 side profiles with attached flexible side wall made of metal mesh, floor covering contact profiles with a height H of 4 mm. The scope of supply contains six height-adjustable fastening brackets, six screed anchors and three lid butt seals for nominal trunking widths 200, 300 and 400 or six lid butt supports for trunking widths 500 and 600. The essential levelling units (observe height adjustment) for the 400, 500 and 600 lid supports are not contained in the scope of delivery and should be ordered separately. On delivery, the trunking lids are screwed on.

Type	Width mm	Length mm	Trunking height mm	Covers pc.	Pack m	Weight kg/100 m	Item no.
OKA-G20040140	200	2400	40-140	3	2.4	848.300	7424000
OKA-G30040140	300	2400	40-140	3	2.4	1,171.700	7424002
OKA-G40040140	400	2400	40-140	3	2.4	1,489.220	7424004
OKA-G50040140	500	2400	40-140	3	2.4	1,846.700	7424006
OKA-G60040140	600	2400	40-140	3	2.4	2,179.600	7424008



Gebäudeinstallation Unterflurverwendungen / en / 2021/06/25 08:42:28 (LLExpport_02924) / 2021/06/25 08:42:45 08:42:45

Underfloor applications, in screed

Trunking unit, blank, height 40–240 mm

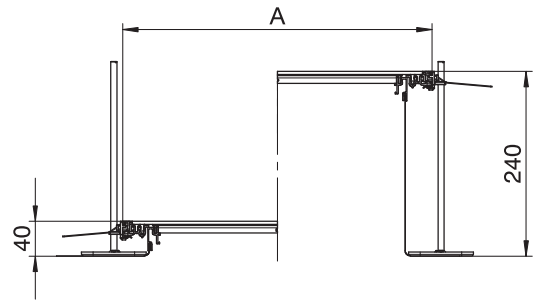
St FS



Type	Width mm	Length mm	Trunking height mm	Covers pc.	Pack m	Weight kg/100 m	Item no.
OKA-G20040240	200	2400	40-240	3	2.4	867.080	7424020
OKA-G30040240	300	2400	40-240	3	2.4	1,190.000	7424022
OKA-G40040240	400	2400	40-240	3	2.4	1,507.500	7424024
OKA-G50040240	500	2400	40-240	3	2.4	1,881.250	7424026
OKA-G60040240	600	2400	40-240	3	2.4	2,214.170	7424028

With three blanking lids (L = 800 mm).

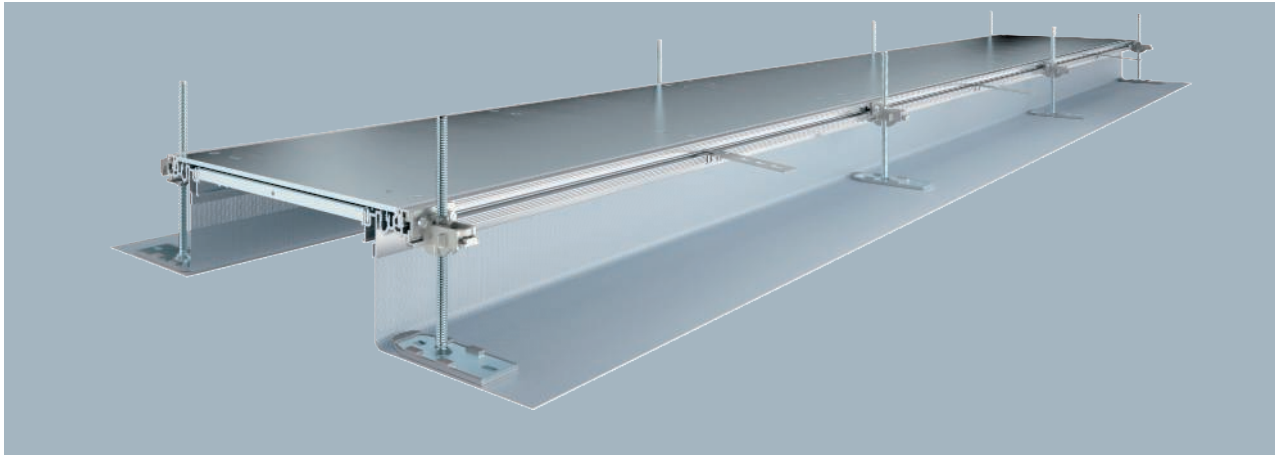
Ready-to-mount trunking unit for cable routing consisting of 3 blanking lids, 2 side profiles with attached flexible side wall made of metal mesh, floor covering contact profiles 4 mm. The scope of supply contains six height-adjustable wall fastening brackets, six screed anchors and three lid butt seals (for nominal trunking widths 200 and 300) or three lid butt supports for nominal trunking width 400 and six cover joint supports for nominal trunking widths 500 and 600. The essential height-adjustment units (observe height-adjustment) for the lid butt supports 400, 500 and 600 are not contained in the scope of delivery and should be ordered separately. On delivery, the trunking lids are screwed on.



St FS



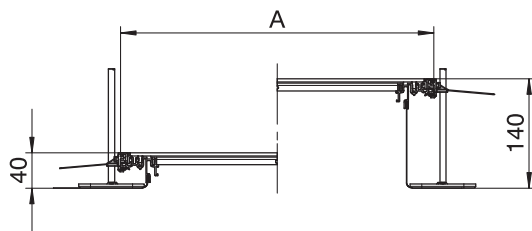
Trunking unit, blank, locking, height 40–140 mm



With three self-locking blanking lids (L = 800 mm).

Ready-to-mount trunking unit for cable routing consisting of 3 self-locking blind lids, 2 side profiles with attached flexible side wall made of metal mesh, floor covering contact profiles 4 mm. The scope of delivery contains 6 height-adjustable fixing brackets, 6 screed anchors and 3 lid butt seals (for nominal trunking widths 200, 300 and 400) or 6 lid butt supports (for nominal trunking widths 500 and 600). The essential levelling units (observe height adjustment) for the 500 and 600 lid supports are not contained in the scope of delivery and should be ordered separately. The trunking lids are screwed up to and including the nominal width 400, pre-mounted with locking springs.

Type	Width mm	Length mm	Trunking height mm	Covers pc.	Pack m	Weight kg/100 m	Item no.
OKA-G20040140R	200	2400	40-140	3	2.4	836.250	7424040
OKA-G30040140R	300	2400	40-140	3	2.4	1,158.700	7424042
OKA-G40040140R	400	2400	40-140	3	2.4	1,484.200	7424044
OKA-G50040140R	500	2400	40-140	3	2.4	1,850.400	7424046
OKA-G60040140R	600	2400	40-140	3	2.4	2,183.300	7424048



Gebäudeinstallation Unterflurwendungen / en / 2021/06/25 08:42:28 (LLExpport_02924) / 2021/06/25 08:42:45 08:42:45

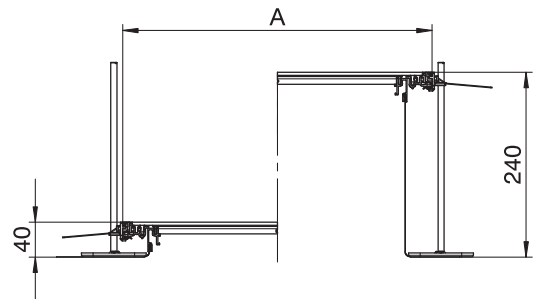
Trunking unit, blank, locking, height 40–240 mm



Type	Width mm	Length mm	Trunking height mm	Covers pc.	Pack m	Weight kg/100 m	Item no.
OKA-G20040240R	200	2400	40-240	3	2.4	855.800	7424060
OKA-G30040240R	300	2400	40-240	3	2.4	1,178.300	7424062
OKA-G40040240R	400	2400	40-240	3	2.4	1,503.800	7424064
OKA-G50040240R	500	2400	40-240	3	2.4	1,870.000	7424066
OKA-G60040240R	600	2400	40-240	3	2.4	2,202.900	7424068

With three self-locking blanking lids (L = 800 mm).

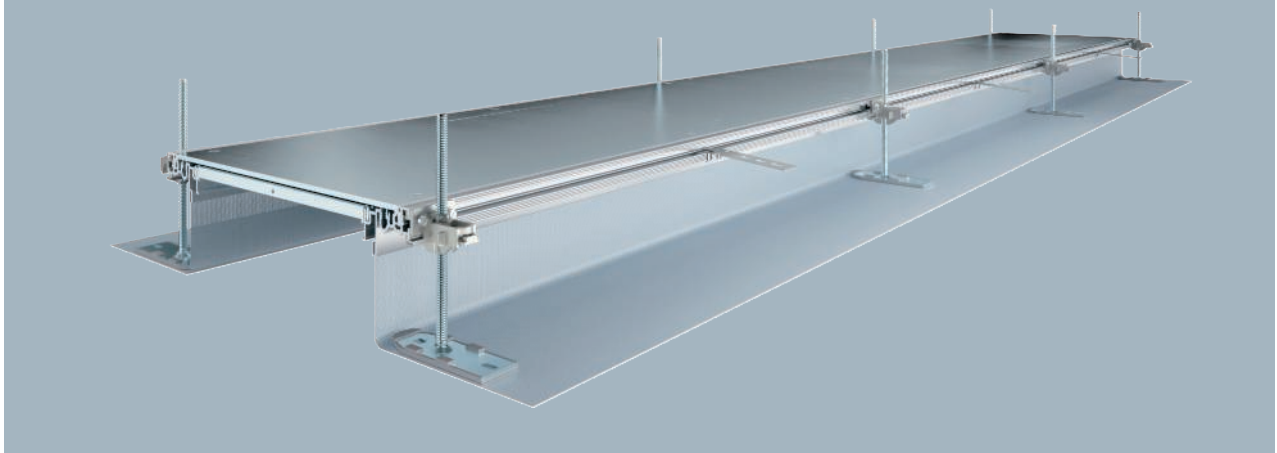
Ready-to-mount trunking unit for cable routing, consisting of 3 self-locking blanking lids, two side profiles with attached flexible side wall made of metal mesh, floor covering contact profiles of 3 mm height. The scope of supply contains six height-adjustable wall fixing brackets, six screed anchors and three cover joint supports (for nominal trunking widths 200 and 300) or three cover joint supports for nominal trunking width 400 and six height-adjustable cover joint supports for nominal trunking widths 500 and 600. The essential levelling units (observe height adjustment) for the 400, 500 and 600 lid supports are not contained in the scope of delivery and should be ordered separately. On delivery, the trunking lids are screwed on and the locking springs are pre-mounted.



St FS



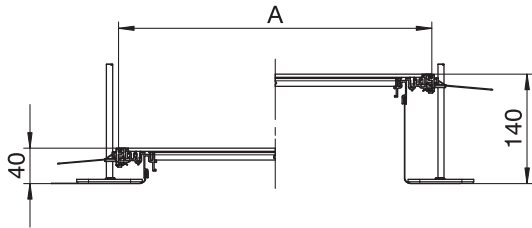
Trunking unit for GES4, height 40–140 mm



With screw-on device installation lids, each with an installation opening for a square installation unit nominal size 4.

Ready-to-mount trunking unit with three or six device installation lids for cable laying and the installation of flush-mount units of nominal size 4, consisting of two side profiles with attached flexible side wall made of metal mesh, 4 mm floor covering contact profiles and trunking lid with blank covered mounting opening. The scope of delivery contains 6 height-adjustable fixing brackets, 6 screed anchors and 3 lid butt seals for nominal trunking width of 300 or 3 for nominal trunking width 400 and 6 lid butt supports for nominal trunking widths 500 and 600. The essential levelling units (please observe adjustment height) for the lid butt supports 400, 500 and 600 are not contained in the scope of supply, please order separately. On delivery, the duct lids are screwed on.

Type	Width mm	Length mm	Trunking height mm	Covers pc.	Pack m	Weight kg/100 m	Item no.
OKA-G30040140D4	300	2400	40-140	3	2.4	1,127.920	7424120
OKA-G40040140D4	400	2400	40-140	3	2.4	1,453.300	7424122



Gebäudeinstallation Unterflurverwendungen / en / 2021/06/25 08:42:28 (LLExpert_02924) / 2021/06/25 08:42:45 08:42:45



Trunking unit for GES4, height 40–240 mm

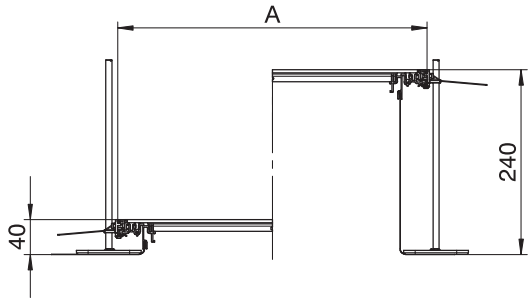


Type	Width mm	Length mm	Trunking height mm	Covers pc.	Pack m	Weight kg/100 m	Item no.
OKA-G30040240D4	300	2400	40-240	3	2.4	1,147.500	7424140
OKA-G40040240D4	400	2400	40-240	3	2.4	1,472.900	7424142

With screw-on device installation lids, each with an installation opening for a square installation unit nominal size 4.

Ready-to-mount trunking unit for cable routing with 3 or 6 device installation lids for the installation of a flush-mount unit of nominal size 4, consisting of two side profiles with attached flexible side wall made of metal mesh, floor covering contact profiles 4 mm.

The scope of delivery contains 6 height-adjustable fixing brackets, 6 screed anchors and 3 lid butt seals (for nominal trunking widths 200 and 300) or 3 lid butt supports for nominal trunking width 400 and 6 lid butt supports for nominal trunking widths 500 and 600. The essential levelling units (please observe height adjustment) for the 400, 500 and 600 lid support are not contained in the scope of delivery and should be ordered separately. The trunking lids are screwed up to and including the nominal width 400.

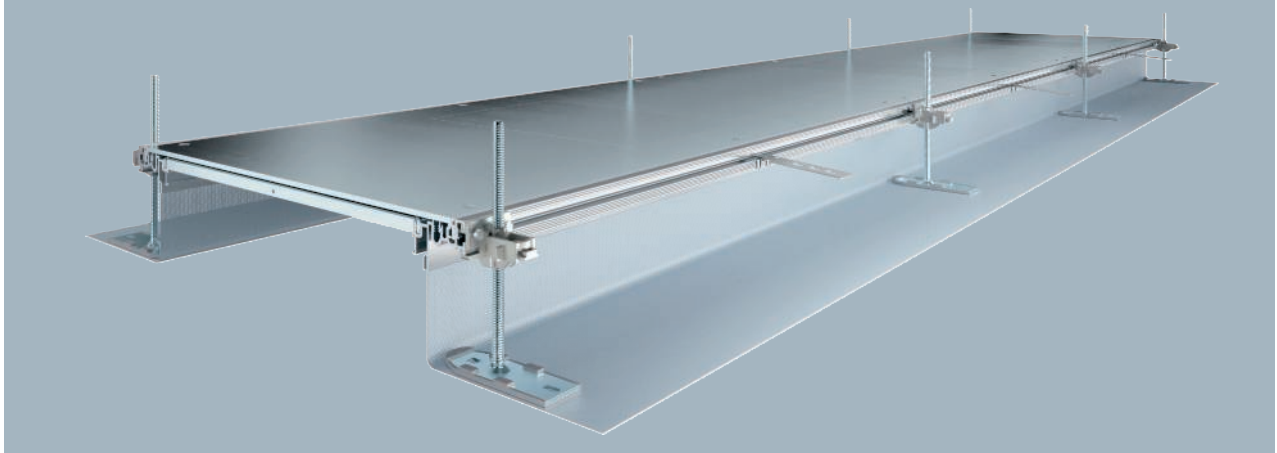


Underfloor applications, in screed

St FS



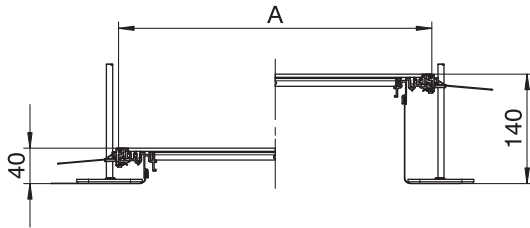
Trunking unit for GES6, height 40–140 mm



With screw-on device installation lids, each with an installation opening for an installation unit nominal size 6.

Ready-to-mount trunking unit with three or six device installation lids for cable laying and the installation of flush-mount units of nominal size 6, consisting of two side profiles with attached flexible side wall made of metal mesh, 4 mm floor covering contact profiles and trunking lid with blank covered mounting opening. The scope of supply contains six height-adjustable wall fixing brackets, six screed anchors and three height-adjustable cover joint supports for nominal trunking width 400 and six cover joint supports for nominal trunking widths 500 and 600. The essential levelling units (please observe adjustment height) for the lid butt supports 400, 500 and 600 are not contained in the scope of supply, please order separately. On delivery, the trunking lids are screwed on.

Type	Width mm	Length mm	Trun- king height mm	Covers pc.	Pack m	Weight kg/100 m	Item no.
OKA-G40040140D6	400	2400	40-140	3	2.4	1,465.000	7424162



Gebäudeinstallation Unterflurverwendungen / en / 2021/06/25 08:42:28 (LLExpert_02924) / 2021/06/25 08:42:45 08:42:45



Trunking unit for GES6, height 40–240 mm

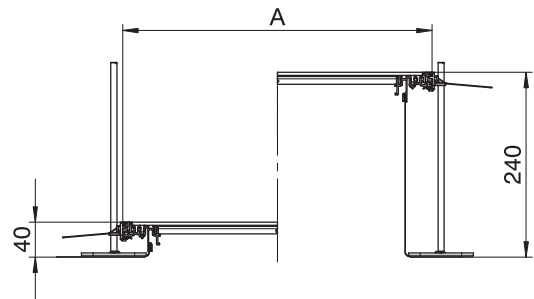
St FS



Type	Width mm	Length mm	Trunking height mm	Covers pc.	Pack m	Weight kg/100 m	Item no.
OKA-G40040240D6	400	2400	40-240	3	2.4	1,453.750	7424182

With screw-on device installation lids, each with an installation opening for an installation unit nominal size 6.

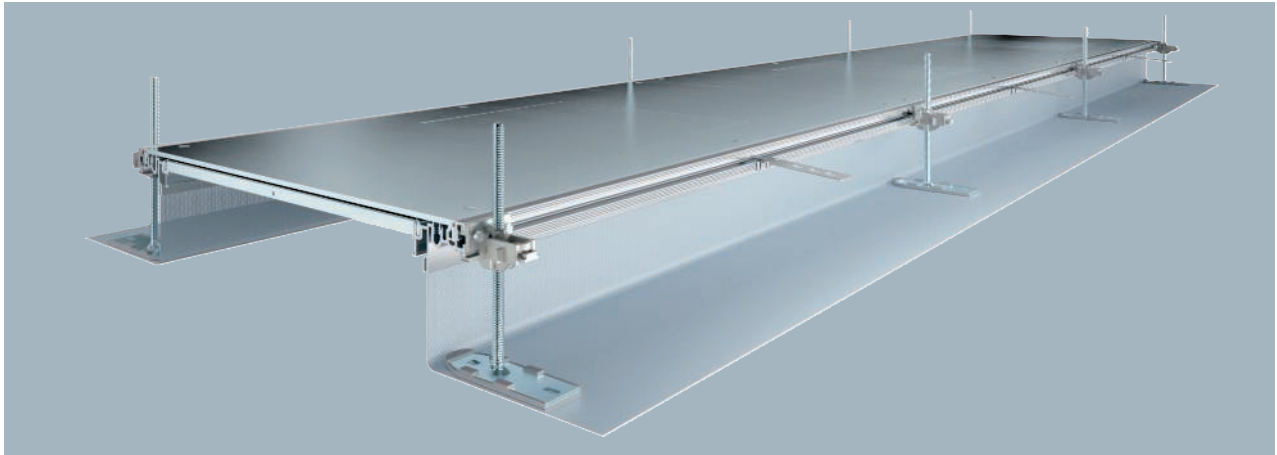
Ready-to-mount trunking unit for cable routing with 3 or 6 device installation lids for the installation of a flush-mount unit of nominal size 6, consisting of two side profiles with attached flexible side wall made of metal mesh, floor covering contact profiles 4 mm. The scope of delivery contains 6 height-adjustable fixing brackets, 6 screed anchors and 3 lid butt supports for nominal trunking width 400 and 6 lid butt supports for nominal trunking widths 500 and 600. The essential levelling units (please observe height adjustment) for the 400, 500 and 600 lid support are not contained in the scope of delivery and should be ordered separately. The trunking lids are screwed up to and including the nominal width 400.



St FS



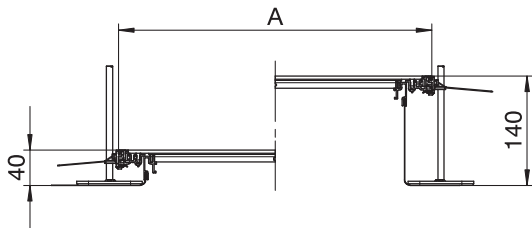
Trunking unit for GES9, height 40–140 mm



With three (for nominal trunking width 400, L = 800 mm) or six device installation lids (for nominal trunking widths 500 and 600, L = 400 mm) each with one installation opening for a square installation unit of nominal size 9.

Ready-to-mount trunking unit with three or six device installation lids for cable laying and the installation of flush-mount units of nominal size 9, consisting of two side profiles with attached flexible side wall made of metal mesh, 4 mm floor covering contact profiles and trunking lid with blank covered mounting opening. The scope of supply contains six height-adjustable wall fixing brackets, six screed anchors and three height-adjustable cover joint supports for nominal trunking width 400 and six cover joint supports for nominal trunking widths 500 and 600. The essential levelling units (please observe adjustment height) for the lid butt supports 400, 500 and 600 are not contained in the scope of supply, please order separately. On delivery, the trunking lids are screwed on.

Type	Width mm	Length mm	Trunking height mm	Covers pc.	Pack m	Weight kg/100 m	Item no.
OKA-G40040140D9	400	2400	40-140	3	2.4	1,431.700	7424200
OKA-G50040140D9	500	2400	40-140	6	2.4	1,662.100	7424202
OKA-G60040140D9	600	2400	40-140	6	2.4	1,974.600	7424204



Gebäudeinstallation Unterflurwendungen / en / 2021/06/25 08:42:28 (LLExpport_02924) / 2021/06/25 08:42:45 08:42:45

Underfloor applications, in screed

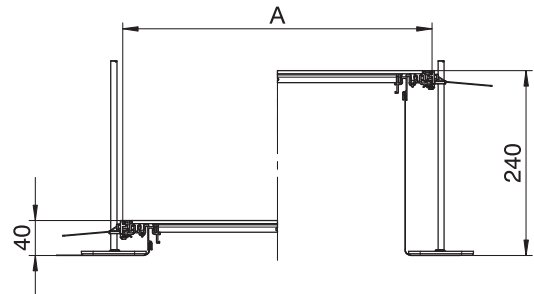
Trunking unit for GES9, height 40–240 mm



Type	Width mm	Length mm	Trun- king height mm	Covers pc.	Pack m	Weight kg/100 m	Item no.
OKA-G40040240D9	400	2400	40-240	3	2.4	1,451.250	7424220
OKA-G50040240D9	500	2400	40-240	6	2.4	1,681.700	7424222
OKA-G60040240D9	600	2400	40-240	6	2.4	1,994.200	7424224

With three (for nominal trunking width 400, L = 800 mm) or six device installation lids (for nominal trunking widths 500 and 600, L = 400 mm) each with one installation opening for a square installation unit of nominal size 9.

Ready-to-mount trunking unit with three or six device installation lids for cable laying and the installation of flush-mount units of nominal size 9, consisting of two side profiles with attached flexible side wall made of metal mesh, 4 mm floor covering contact profiles and trunking lid with blank covered mounting opening. The scope of supply contains six height-adjustable wall fixing brackets, six screed anchors and three height-adjustable cover joint supports for nominal trunking width 400 and six cover joint supports for nominal trunking widths 500 and 600. The essential levelling units (please observe adjustment height) for the lid butt supports 400, 500 and 600 are not contained in the scope of supply, please order separately. On delivery, the trunking lids are screwed on.



St FS

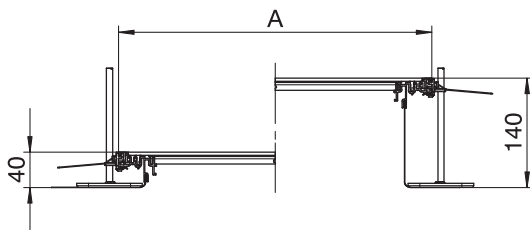


Trunking unit for GESR9, height 40–140 mm



Ready-to-mount trunking unit with three or six device installation lids for cable laying and the installation of installation units of nominal size R9, consisting of two side profiles with attached flexible metal mesh side wall, floor covering guide profiles and trunking lid with blank mounting opening. The scope of supply contains six height-adjustable wall fixing brackets, six screed anchors and three height-adjustable cover joint supports for nominal trunking width 400 and six cover joint supports for nominal trunking widths 500 and 600. Trunking lid screwed down when delivered.

Type	Width mm	Length mm	Trunking height mm	Covers pc.	Pack m	Weight kg/100 m	Item no.
OKA-G60040140DR9	600	2400	40-140	6	2.4	1,932.100	7424246



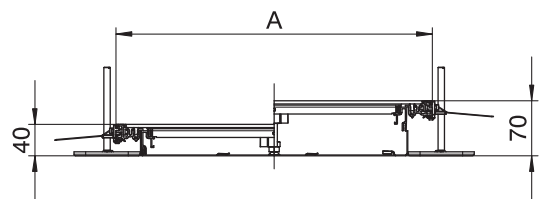
Trunking unit, blank, height 40–70 mm



Type	Width mm	Length mm	Trunking height mm	Covers pc.	Pack m	Weight kg/100 m	Item no.
OKA-W2004030	200	2400	40-70	3	2.4	966.700	7424400
OKA-W3004030	300	2400	40-70	3	2.4	1,366.700	7424402
OKA-W4004030	400	2400	40-70	3	2.4	1,775.000	7424404
OKA-W5004030	500	2400	40-70	3	2.4	2,225.000	7424406
OKA-W6004030	600	2400	40-70	3	2.4	2,637.500	7424408

With three blanking lids (L = 800 mm).

Ready-to-mount trunking unit with three blanking lids for cable laying, consisting of the trunking base (floor trough with side and floor covering contact profiles) and trunking lid. Floor trough with holding straps for self-contacting mounting of separating retainers. The scope of delivery contains 6 height-adjustable fixing brackets, 6 screed anchors and lid butt seals (3x for nominal trunking widths of 200 and 300) or height-adjustable lid butt supports: 3x for nominal trunking width 400 and 6x for nominal trunking widths 500 and 600. Trunking lid screwed on for delivery.



St FS



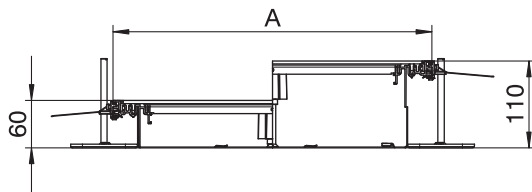
Trunking unit, blank, height 60–110 mm



With three blanking lids (L = 800 mm).

Ready-to-mount trunking unit with three blanking lids for cable laying, consisting of the trunking base (floor trough with side and floor covering contact profiles) and trunking lid. Floor trough with holding straps for self-contacting mounting of separating retainers. The scope of delivery contains 6 height-adjustable fixing brackets, 6 screed anchors and lid butt seals (3x for nominal trunking widths of 200 and 300) or height-adjustable lid butt supports: 3x for nominal trunking width 400 and 6x for nominal trunking widths 500 and 600. Trunking lid screwed on for delivery.

Type	Width mm	Length mm	Trun- king height mm	Covers pc.	Pack m	Weight kg/100 m	Item no.
OKA-W2006050	200	2400	60-110	3	2.4	1,004.200	7424420
OKA-W3006050	300	2400	60-110	3	2.4	1,404.200	7424422
OKA-W4006050	400	2400	60-110	3	2.4	1,812.500	7424424
OKA-W5006050	500	2400	60-110	3	2.4	2,262.500	7424426
OKA-W6006050	600	2400	60-110	3	2.4	2,675.000	7424428



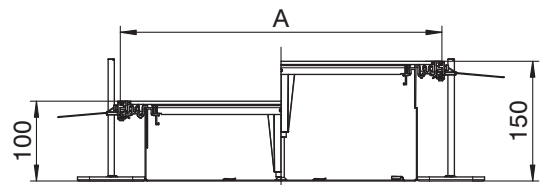
Trunking unit, blank, height 100–150 mm



Type	Width mm	Length mm	Trun- king height mm	Covers pc.	Pack m	Weight kg/100 m	Item no.
OKA-W20010050	200	2400	100-150	3	2.4	1,070.800	7424440
OKA-W30010050	300	2400	100-150	3	2.4	1,470.800	7424442
OKA-W40010050	400	2400	100-150	3	2.4	1,879.200	7424444
OKA-W50010050	500	2400	100-150	3	2.4	2,329.200	7424446
OKA-W60010050	600	2400	100-150	3	2.4	2,741.700	7424458

With three blanking lids (L = 800 mm).

Ready-to-mount trunking unit with three blanking lids for cable laying, consisting of the trunking base (floor trough with side and floor covering contact profiles) and trunking lid. Floor trough with holding straps for self-contacting mounting of separating retainers. The scope of delivery contains 6 height-adjustable fixing brackets, 6 screed anchors and lid butt seals (3x for nominal trunking widths of 200 and 300) or height-adjustable lid butt supports: 3x for nominal trunking width 400 and 6x for nominal trunking widths 500 and 600. Trunking lid screwed on for delivery.



St FS



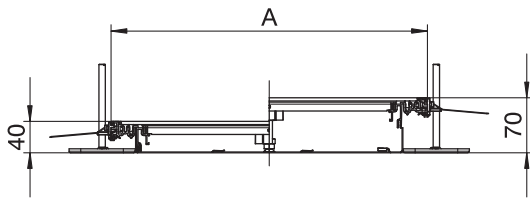
Trunking unit, blank, locking, height 40–70 mm



With three self-locking blanking lids (L = 800 mm).

Ready-to-mount trunking unit with three self-locking blanking covers for cable laying, consisting of the trunking base (floor trough with side and floor covering guide profiles) and trunking lid. Floor trough with holding shackles for self-contacting mounting of dividers. The scope of supply contains six height-adjustable wall fixing brackets, six screed anchors and three cover joint supports (for nominal trunking widths 200 and 300) or three height-adjustable cover joint supports (for nominal trunking widths 400, 500 and 600). Trunking lid screwed down when delivered.

Type	Width mm	Length mm	Trun- king height mm	Covers pc.	Pack m	Weight kg/100 m	Item no.
OKA-W2004030R	200	2400	40-70	3	2.4	970.800	7424460
OKA-W3004030R	300	2400	40-70	3	2.4	1,370.800	7424462
OKA-W4004030R	400	2400	40-70	3	2.4	1,779.200	7424464

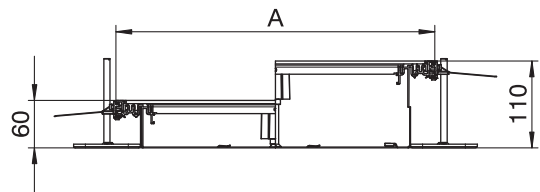


Trunking unit, blank, locking, height 60–110 mm



Type	Width mm	Length mm	Trun- king height mm	Covers pc.	Pack m	Weight kg/100 m	Item no.
OKA-W2006050R	200	2400	60-110	3	2.4	1,008.300	7424480
OKA-W3006050R	300	2400	60-110	3	2.4	1,408.300	7424482
OKA-W4006050R	400	2400	60-110	3	2.4	1,816.700	7424484
OKA-W5006050R	500	2400	60-110	3	2.4	2,266.700	7424486
OKA-W6006050R	600	2400	60-110	3	2.4	2,679.200	7424488

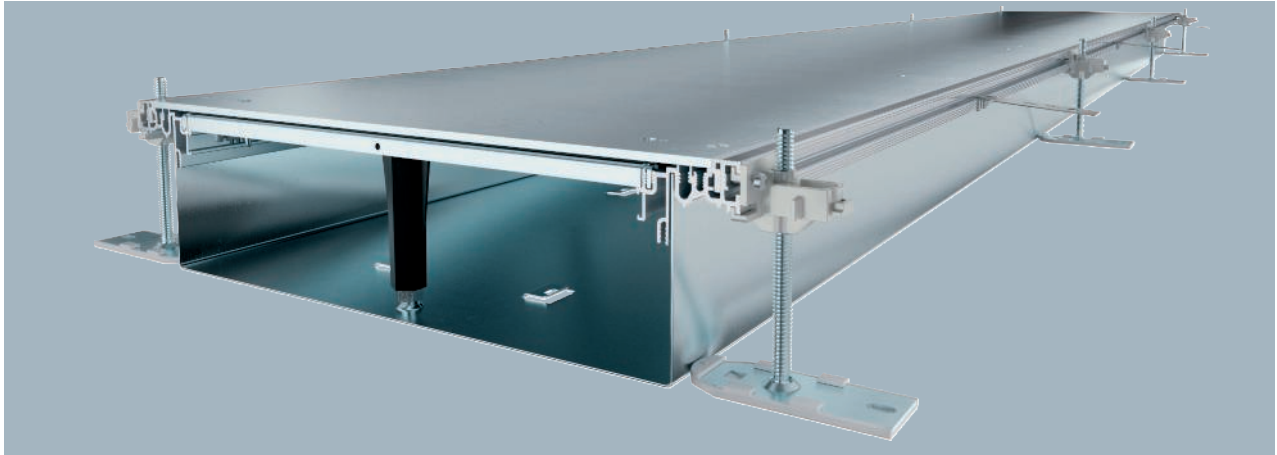
With three self-locking blanking lids (L = 800 mm).
 Ready-to-mount trunking unit with three self-locking blanking covers for cable laying, consisting of the trunking base (floor trough with side and floor covering guide profiles) and trunking lid. Floor trough with holding shackles for self-contacting mounting of dividers. The scope of supply contains six height-adjustable wall fixing brackets, six screed anchors and three cover joint supports (for nominal trunking widths 200 and 300) or three height-adjustable cover joint supports (for nominal trunking widths 400, 500 and 600). Trunking lid screwed down when delivered.



St FS



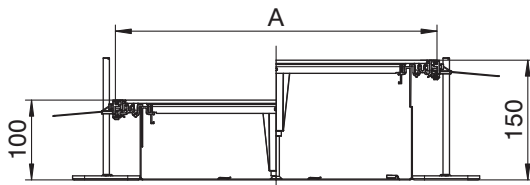
Trunking unit, blank, locking, height 100–150 mm



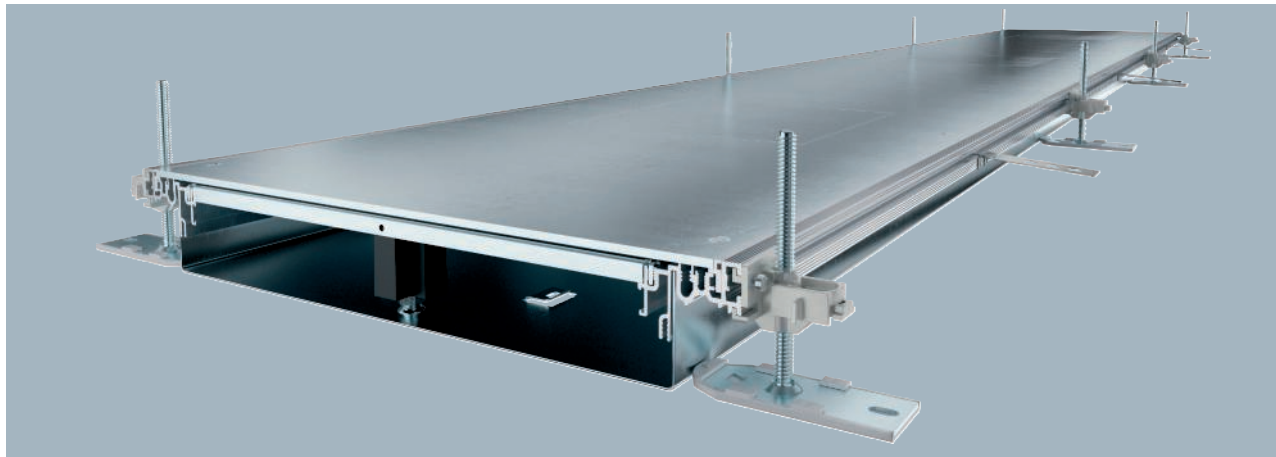
With three self-locking blanking lids (L = 800 mm).

Ready-to-mount trunking unit with three self-locking blanking covers for cable laying, consisting of the trunking base (floor trough with side and floor covering guide profiles) and trunking lid. Floor trough with holding shackles for self-contacting mounting of dividers. The scope of supply contains six height-adjustable wall fixing brackets, six screed anchors and three cover joint supports (for nominal trunking widths 200 and 300) or three height-adjustable cover joint supports (for nominal trunking widths 400, 500 and 600). Trunking lid screwed down when delivered.

Type	Width mm	Length mm	Trunking height mm	Covers pc.	Pack m	Weight kg/100 m	Item no.
OKA-W20010050R	200	2400	100-150	3	2.4	1,075.000	7424500
OKA-W30010050R	300	2400	100-150	3	2.4	1,475.000	7424502
OKA-W40010050R	400	2400	100-150	3	2.4	1,883.300	7424504
OKA-W50010050R	500	2400	100-150	3	2.4	2,333.300	7424506
OKA-W60010050R	600	2400	100-150	3	2.4	2,745.800	7424508



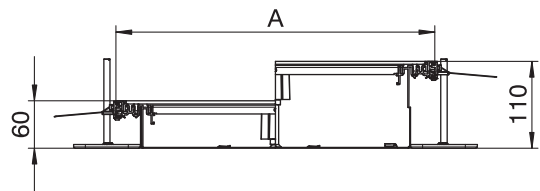
Trunking unit for GES4, height 60–110 mm



Type	Width mm	Length mm	Trunking height mm	Covers pc.	Pack m	Weight kg/100 m	Item no.
OKA-W3006050D4	300	2400	60-110	3	2.4	1,377.100	7424600
OKA-W4006050D4	400	2400	60-110	3	2.4	1,785.400	7424602

With screw-on device installation lids, each with an installation opening for an installation unit nominal size 4.

Ready-to-mount trunking unit with three or six device installation lids for cable laying and the installation of flush-mount units of nominal size 4, consisting of the trunking base (floor trough with side and floor covering contact profiles) and trunking lid with blank covered mounting opening. Floor trough with holding straps for self-contacting mounting of separating retainers. The scope of delivery contains 6 height-adjustable fixing brackets, 6 screed anchors and lid butt seals (3x for nominal trunking widths of 200 and 300) or height-adjustable lid butt supports: 3x for nominal trunking width 400 and 6x for nominal trunking widths 500 and 600. Trunking lid screwed down when delivered.



St FS



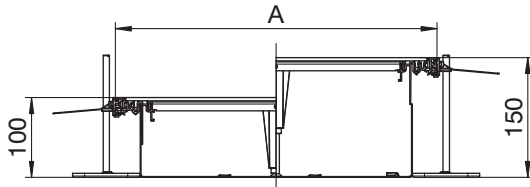
Trunking unit for GES4, height 100–150 mm



With screw-on device installation lids, each with an installation opening for an installation unit nominal size 4.

Ready-to-mount trunking unit with three or six device installation lids for cable laying and the installation of flush-mount units of nominal size 4, consisting of the trunking base (floor trough with side and floor covering contact profiles) and trunking lid with blank covered mounting opening. Floor trough with holding straps for self-contacting mounting of separating retainers. The scope of delivery contains 6 height-adjustable fixing brackets, 6 screed anchors and lid butt seals (3x for nominal trunking widths of 200 and 300) or height-adjustable lid butt supports: 3x for nominal trunking width 400 and 6x for nominal trunking widths 500 and 600. Trunking lid screwed down when delivered.

Type	Width mm	Length mm	Trunking height mm	Covers pc.	Pack m	Weight kg/100 m	Item no.
OKA-W30010050D4	300	2400	100-150	3	2.4	1,439.600	7424620
OKA-W40010050D4	400	2400	100-150	3	2.4	1,847.900	7424622



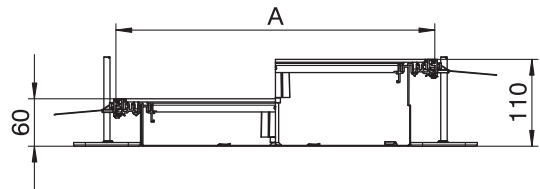
Trunking unit for GES6, height 60–110 mm



Type	Width mm	Length mm	Trunking height mm	Covers pc.	Pack m	Weight kg/100 m	Item no.
OKA-W4006050D6	400	2400	60-110	3	2.4	1,785.400	7424662

With screw-on device installation lids, each with an installation opening for an installation unit nominal size 6.

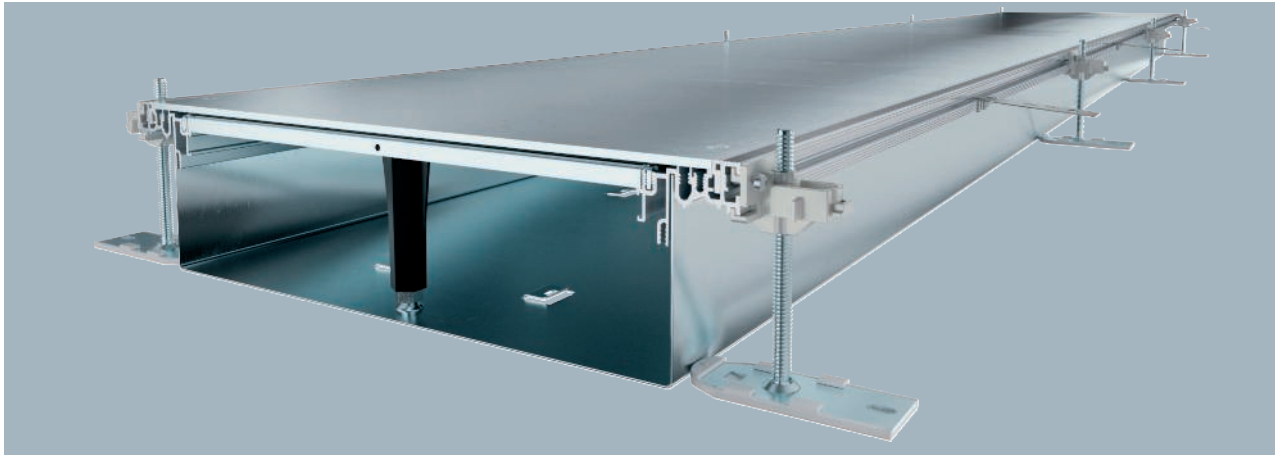
Ready-to-mount trunking unit with three or six device installation lids for cable laying and the installation of installation units of nominal size 6, consisting of the trunking base (floor trough with side and floor covering guide profiles) and trunking lid with blank mounting opening. Floor trough with holding shackles for self-contacting mounting of dividers. The scope of supply contains six height-adjustable wall fixing brackets, six screed anchors and three height-adjustable cover joint supports for nominal trunking width 400 or six height-adjustable cover joint supports for nominal trunking widths 500 and 600. Trunking lid screwed down when delivered.



St FS



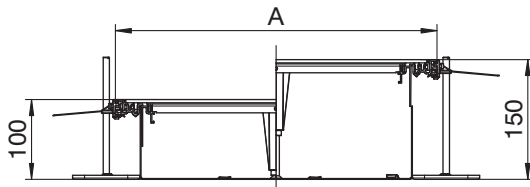
Trunking unit for GES6, height 100–150 mm



With screw-on device installation lids, each with an installation opening for an installation unit nominal size 6.

Ready-to-mount trunking unit with three or six device installation lids for cable laying and the installation of installation units of nominal size 6, consisting of the trunking base (floor trough with side and floor covering guide profiles) and trunking lid with blank mounting opening. Floor trough with holding shackles for self-contacting mounting of dividers. The scope of supply contains six height-adjustable wall fixing brackets, six screed anchors and three height-adjustable cover joint supports for nominal trunking width 400 or six height-adjustable cover joint supports for nominal trunking widths 500 and 600. Trunking lid screwed down when delivered.

Type	Width mm	Length mm	Trunking height mm	Covers pc.	Pack m	Weight kg/100 m	Item no.
OKA-W40010050D6	400	2400	100-150	3	2.4	1,847.900	7424682



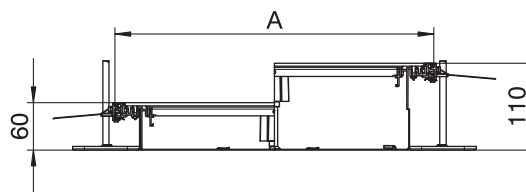
Trunking unit for GES9, height 60–110 mm



Type	Width mm	Length mm	Trunking height mm	Covers pc.	Pack m	Weight kg/100 m	Item no.
OKA-W4006050D9	400	2400	60-110	3	2.4	1,785.420	7424720
OKA-W5006050D9	500	2400	60-110	6	2.4	2,168.800	7424722
OKA-W6006050D9	600	2400	60-110	6	2.4	2,580.000	7424724

With three (for nominal trunking width 400, L = 800 mm) or six device installation lids (for nominal trunking widths 500 and 600, L = 400 mm) each with one installation opening for a square installation unit of nominal size 9 or 9/55.

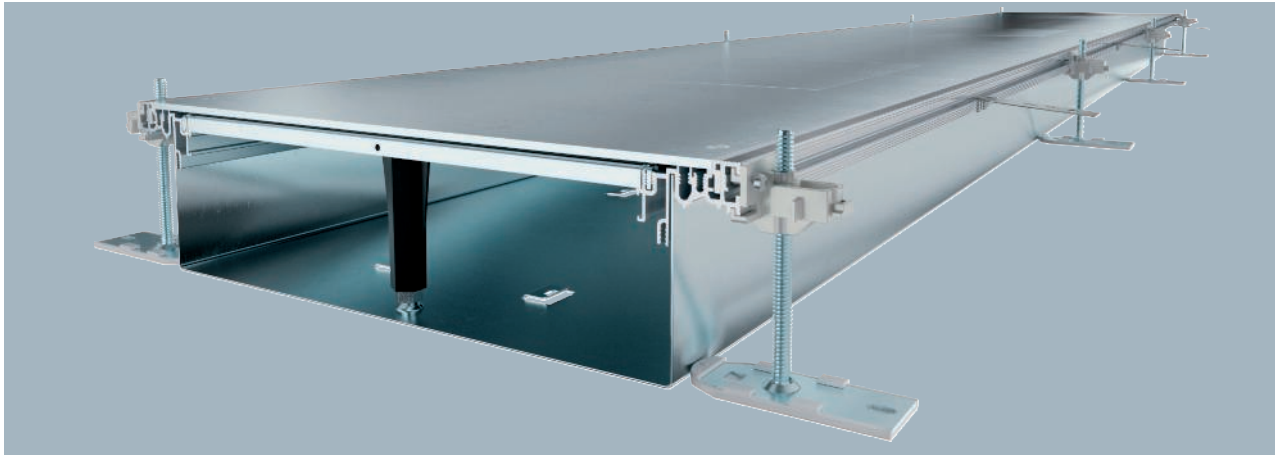
Ready-to-mount trunking unit with three or six device installation lids for cable laying and the installation of installation units of nominal size 9, consisting of the trunking base (floor trough with side and floor covering guide profiles) and trunking lid with blank mounting opening. Floor trough with holding shackles for self-contacting mounting of dividers. The scope of supply contains six height-adjustable wall fixing brackets, six screed anchors and three height-adjustable cover joint supports for nominal trunking width 400 or six height-adjustable cover joint supports for nominal trunking widths 500 and 600. Trunking lid screwed down when delivered.



St FS



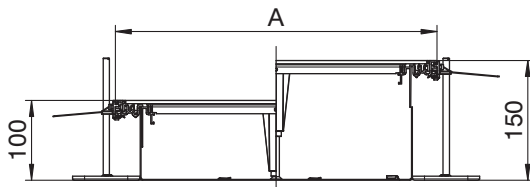
Trunking unit for GES9, height 100–150 mm



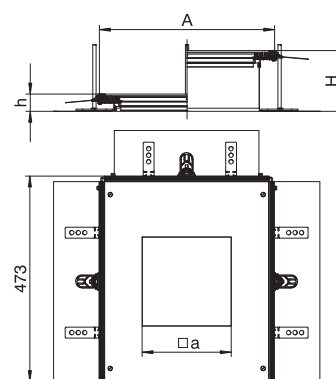
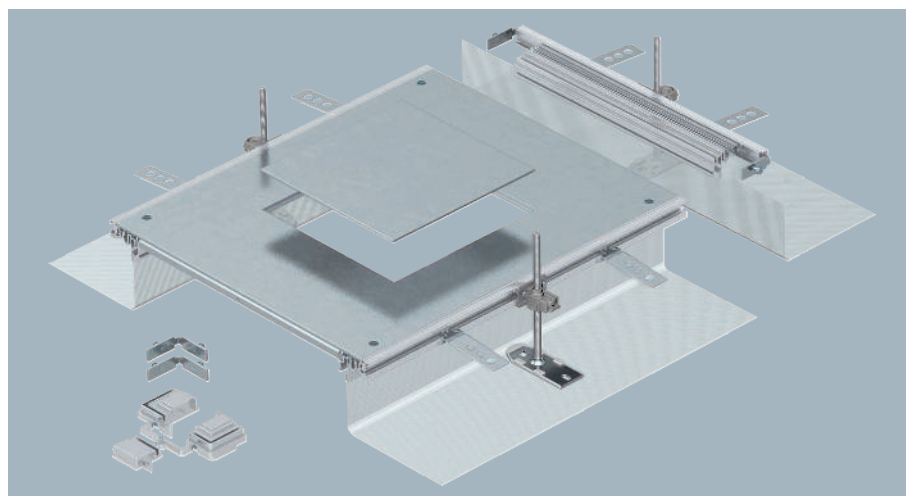
With three (for nominal trunking width 400, L = 800 mm) or six device installation lids (for nominal trunking widths 500 and 600, L = 400 mm) each with one installation opening for a square installation unit of nominal size 9 or 9/55.

Ready-to-mount trunking unit with three or six device installation lids for cable laying and the installation of installation units of nominal size 9, consisting of the trunking base (floor trough with side and floor covering guide profiles) and trunking lid with blank mounting opening. Floor trough with holding shackles for self-contacting mounting of dividers. The scope of supply contains six height-adjustable wall fixing brackets, six screed anchors and three height-adjustable cover joint supports for nominal trunking width 400 or six height-adjustable cover joint supports for nominal trunking widths 500 and 600. Trunking lid screwed down when delivered.

Type	Width mm	Length mm	Trunking height mm	Covers pc.	Pack m	Weight kg/100 m	Item no.
OKA-W40010050D9	400	2400	100-150	3	2.4	1,847.900	7424740
OKA-W50010050D9	500	2400	100-150	6	2.4	2,234.600	7424742
OKA-W60010050D9	600	2400	100-150	6	2.4	2,645.400	7424744



Extension unit for GES4, height 40–140 mm

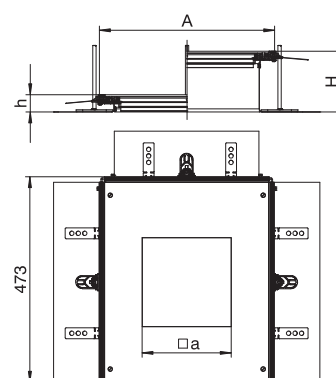
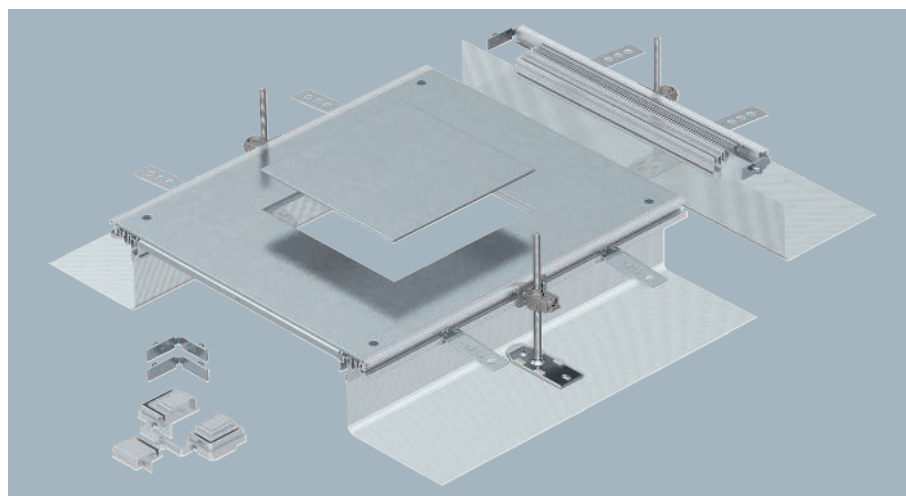


Type	Dim. A mm	Dim. a mm	Trunking height mm	Nominal size	Pack Piece	Weight kg/100 pc.	Item no.
OKA-G A 40140 4	400	201	40-140	4	1	692.000	7424320

Ready for mounting trunking extension unit with a device installation lid for the installation of a flush-mount unit of nominal size 4, consisting of side profiles with attached flexible side wall made of metal mesh, floor covering contact profiles, trunking lid with blank, closed mounting opening and a trunking end piece. The scope of delivery contains 3 height-adjustable fixing brackets, 3 screed anchors, 1 lid butt support (without levelling unit – please order separately) and 1 construction set for 90° angle.

Size of the mounting unit suitable for the installation of a square installation unit of nominal size 4.

Extension unit for GES4, height 40–240 mm



Type	Dim. A mm	Dim. a mm	Trunking height mm	Nominal size	Pack Piece	Weight kg/100 pc.	Item no.
OKA-G A 40240 4	400	201	40-240	4	1	880.000	7424340

Ready for mounting trunking extension unit with a device installation lid for the installation of a flush-mount unit of nominal size 4, consisting of side profiles with attached flexible side wall made of metal mesh, floor covering contact profiles, trunking lid with blank, closed mounting opening and a trunking end piece. The scope of delivery contains 3 height-adjustable fixing brackets, 3 screed anchors, 1 lid butt support (without levelling unit – please order separately) and 1 construction set for 90° angle.

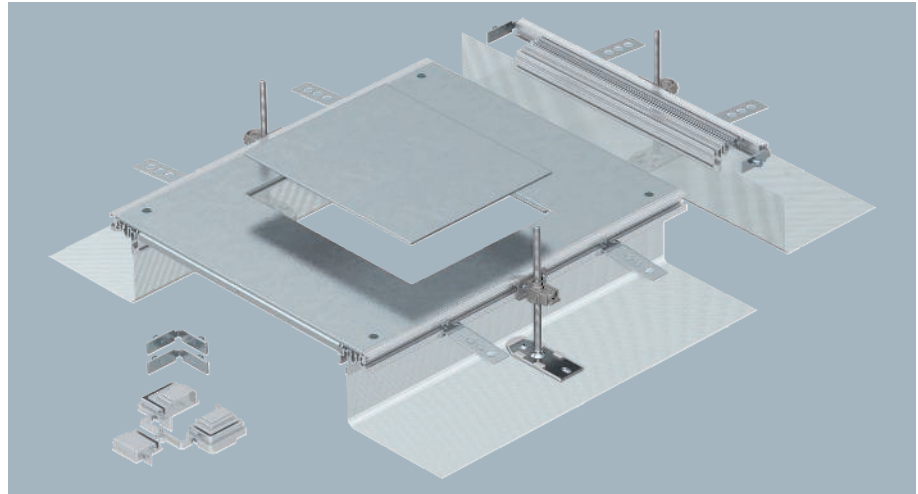
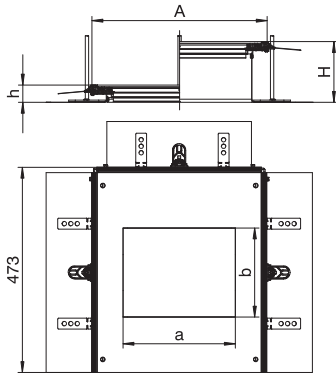
Size of the mounting unit suitable for the installation of a square installation unit of nominal size 4.



St FS



Extension unit for GES6, height 40–140 mm



Ready for mounting trunking extension unit with a device installation lid for the installation of an installation unit of nominal size 6, consisting of side profiles with attached flexible side wall made of metal mesh, floor covering contact profiles, trunking lid with blank, closed mounting opening and a trunking end piece. The scope of delivery contains 3 height-adjustable fixing brackets, 3 screed anchors, 1 lid butt support (without levelling unit – please order separately) and 1 construction set for 90° angle.

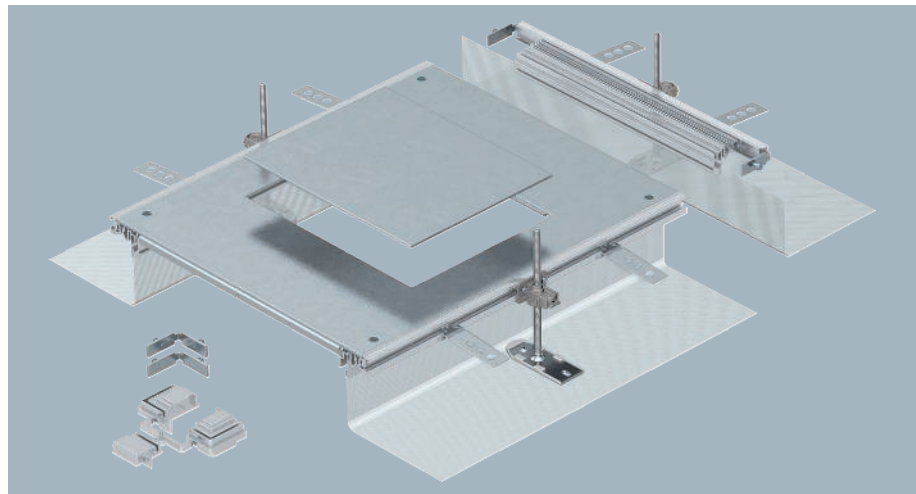
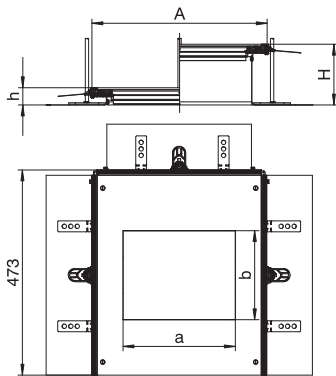
Size of the mounting unit suitable for the installation of a rectangular installation unit of nominal size 6.

Type	Dim. A mm	Dim. a mm	Trunking height mm	Nominal size	Pack Piece	Weight kg/100 pc.	Item no.
OKA-G A 40140 6	400	201	40-140	6	1	683.000	7424322

St FS



Extension unit for GES6, height 40–240 mm



Ready for mounting trunking extension unit with a device installation lid for the installation of an installation unit of nominal size 6, consisting of side profiles with attached flexible side wall made of metal mesh, floor covering contact profiles, trunking lid with blank, closed mounting opening and a trunking end piece. The scope of delivery contains 3 height-adjustable fixing brackets, 3 screed anchors, 1 lid butt support (without levelling unit – please order separately) and 1 construction set for 90° angle.

Size of the mounting unit suitable for the installation of a rectangular installation unit of nominal size 6.

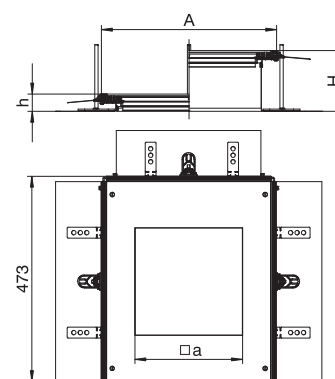
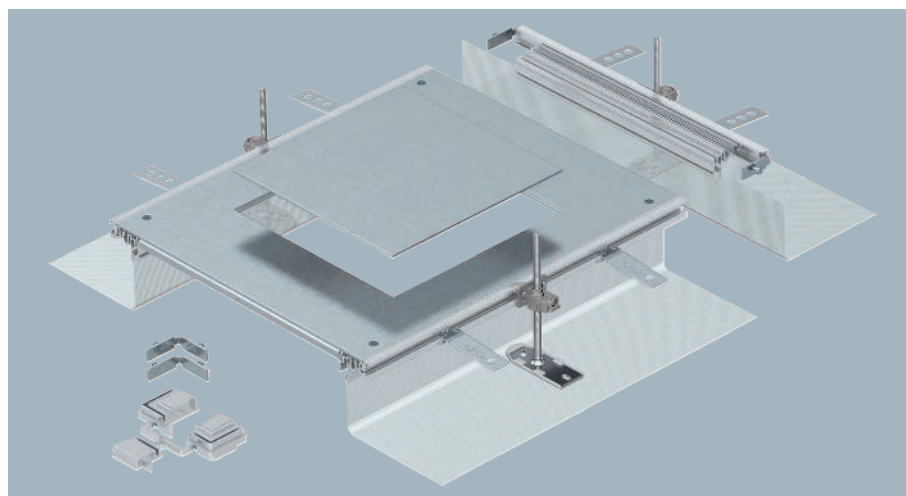
Type	Dim. A mm	Dim. a mm	Dim. b mm	Trunking height mm	Nominal size	Pack Piece	Weight kg/100 pc.	Item no.
OKA-G A 40240 6	400	201	253	40-240	6	1	692.000	7424342



Extension unit with fabric OKA-G

Extension unit for GES9, height 40–140 mm

St FS



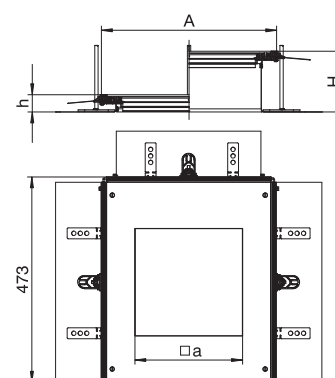
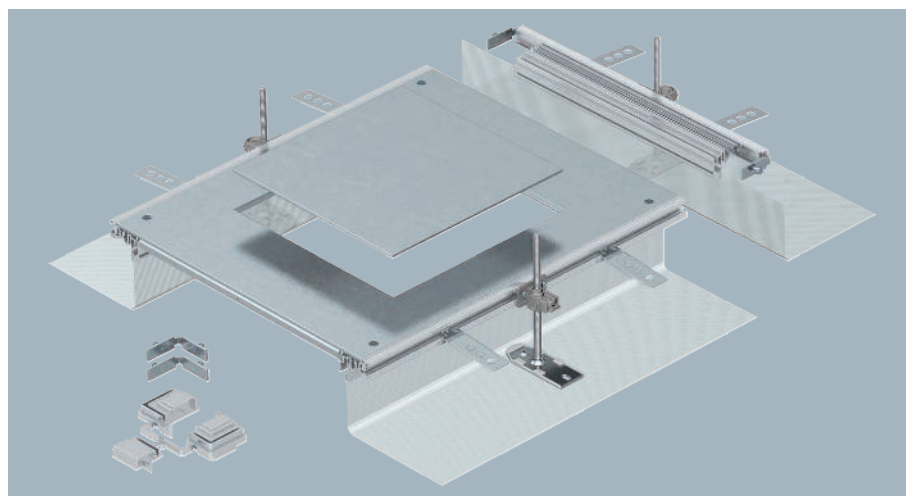
Type	Dim. A mm	Dim. a mm	Trunking height mm	Nominal size	Pack Piece	Weight kg/100 pc.	Item no.
OKA-G A 40140 9	400	244	40-140	9	1	837.000	7424324

Ready for mounting trunking extension unit with a device installation lid for the installation of a flush-mount unit of nominal size 9, consisting of side profiles with attached flexible side wall made of metal mesh, floor covering contact profiles, trunking lid with blank, closed mounting opening and a trunking end piece. The scope of delivery contains 3 height-adjustable fixing brackets, 3 screed anchors, 1 lid butt support (without levelling unit – please order separately) and 1 construction set for 90° angle.

Size of the mounting unit suitable for the installation of a square installation unit of nominal size 9 or 9/55.

Extension unit for GES9, height 40–240 mm

St FS



Type	Dim. A mm	Dim. a mm	Trunking height mm	Nominal size	Pack Piece	Weight kg/100 pc.	Item no.
OKA-G A 40240 9	400	244	40-240	9	1	689.000	7424344

Ready for mounting trunking extension unit with a device installation lid for the installation of a flush-mount unit of nominal size 9, consisting of side profiles with attached flexible side wall made of metal mesh, floor covering contact profiles, trunking lid with blank, closed mounting opening and a trunking end piece. The scope of delivery contains 3 height-adjustable fixing brackets, 3 screed anchors, 1 lid butt support (without levelling unit – please order separately) and 1 construction set for 90° angle.

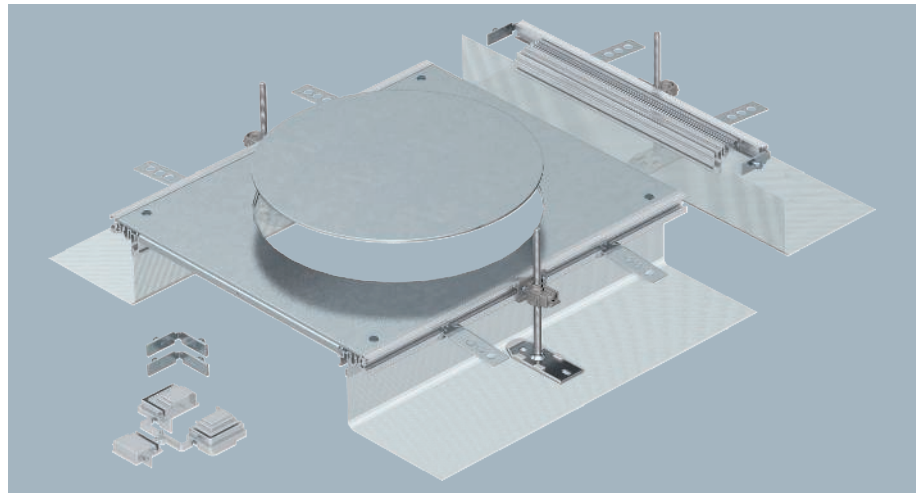
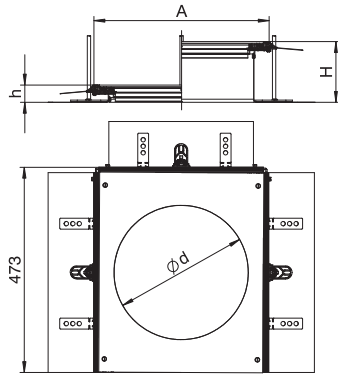
Size of the mounting unit suitable for the installation of a square installation unit of nominal size 9 or 9/55.



St FS



Extension unit for GESR9, height 40–140 mm



Ready for mounting trunking extension unit with a device installation lid for the installation of a flush-mount unit of nominal size R9, consisting of side profiles with attached flexible side wall made of metal mesh, floor covering contact profiles, trunking lid with blank, closed mounting opening and a trunking end piece. The scope of delivery contains 3 height-adjustable fixing brackets, 3 screed anchors, 1 lid butt support (without levelling unit – please order separately) and 1 construction set for 90° angle.

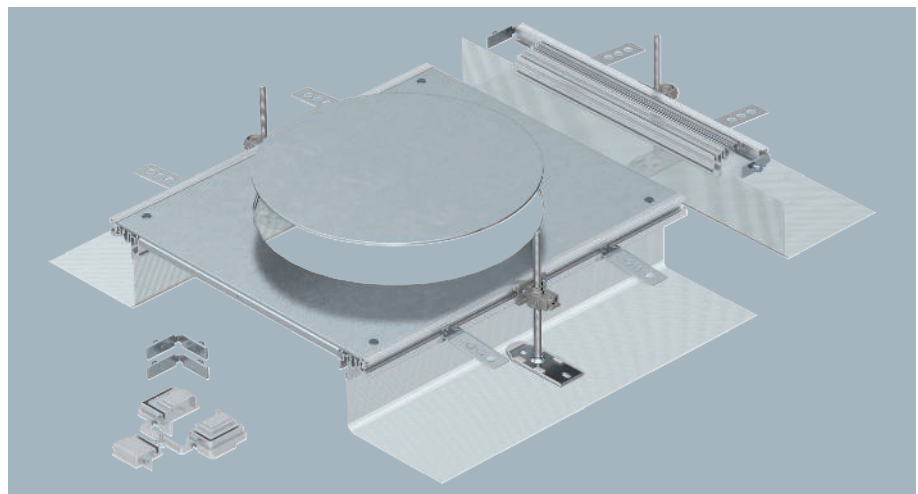
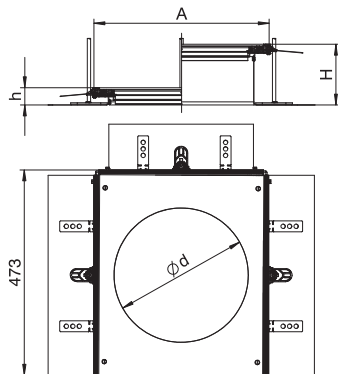
Size of the mounting unit suitable for the installation of a round installation unit of nominal size R9 or R9/55.

Type	Dim. A mm	Dimension d Ø mm	Trunking height mm	Nominal size	Pack Piece	Weight kg/100 pc.	Item no.
OKA-G A 40140R9	400	305	40-140	R9	1	666.000	7424326

St FS



Extension unit for GESR9, height 40–240 mm



Ready for mounting trunking extension unit with a device installation lid for the installation of a flush-mount unit of nominal size R9, consisting of side profiles with attached flexible side wall made of metal mesh, floor covering contact profiles, trunking lid with blank, closed mounting opening and a trunking end piece. The scope of delivery contains 3 height-adjustable fixing brackets, 3 screed anchors, 1 lid butt support (without levelling unit – please order separately) and 1 construction set for 90° angle.

Size of the mounting unit suitable for the installation of a round installation unit of nominal size R9 or R9/55.

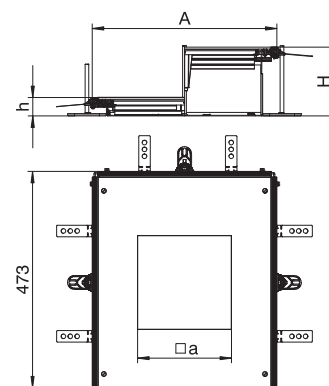
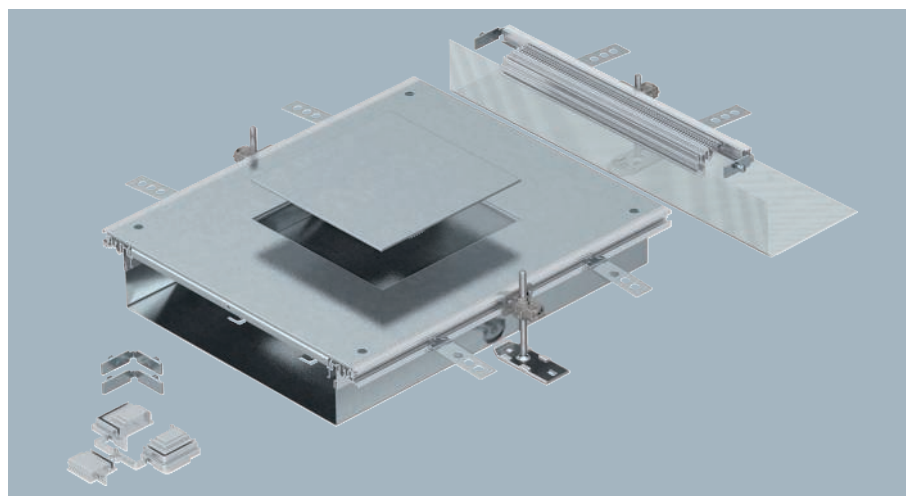
Type	Dim. A mm	Dimension d Ø mm	Trunking height mm	Nominal size	Pack Piece	Weight kg/100 pc.	Item no.
OKA-G A 40240R9	400	305	40-240	R9	1	675.000	7424346



Expansion unit with floor trough OKA-W

Extension unit for GES4, height 100–150 mm

St FS



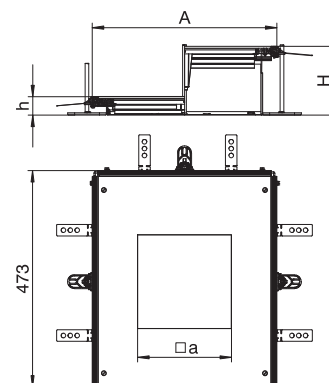
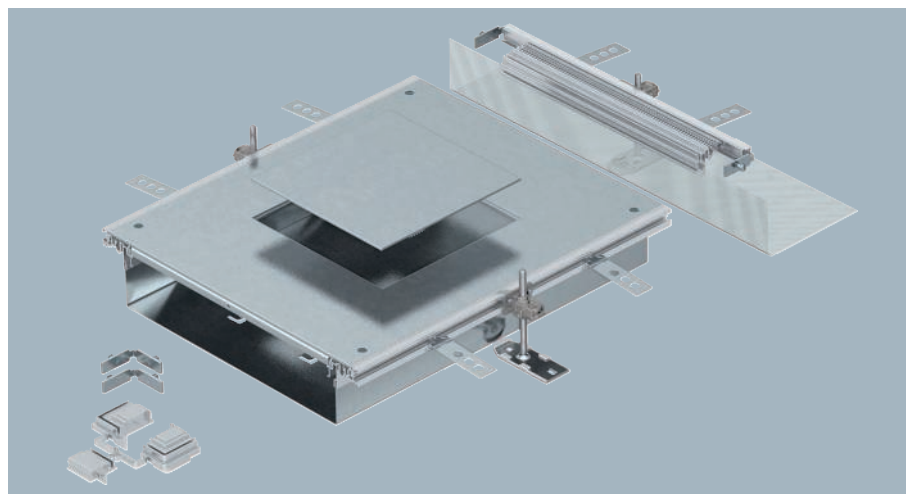
Type	Dim. A mm	Dim. a mm	Trun- king height mm	Nominal size	Pack Piece	Weight kg/100 pc.	Item no.
OKA-W A 10050 4	400	201	100-150	4	1	976.000	7424920

Ready-to-mount trunking extension unit with a device installation lid for the installation of an installation unit of nominal size 4, consisting of the trunking base (floor trough with side and floor covering guide profiles), trunking lid with blank mounting opening and a flushfloor end cover. The scope of delivery contains three height-adjustable wall fixing brackets, three screed anchors and trunking connection brackets.

Size of the mounting unit suitable for the installation of a square installation unit of nominal size 4.

Extension unit for GES4, height 60–110 mm

St FS



Type	Dim. A mm	Dim. a mm	Trun- king height mm	Nominal size	Pack Piece	Weight kg/100 pc.	Item no.
OKA-W A 6050 4	400	201	60-110	4	1	947.000	7424900

Ready-to-mount trunking extension unit with a device installation lid for the installation of an installation unit of nominal size 4, consisting of the trunking base (floor trough with side and floor covering guide profiles), trunking lid with blank mounting opening and a flushfloor end cover. The scope of delivery contains three height-adjustable wall fixing brackets, three screed anchors and trunking connection brackets.

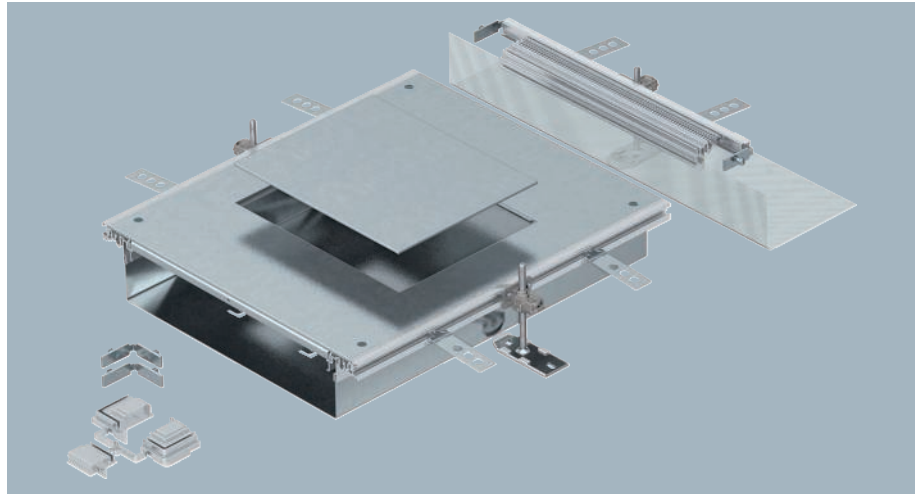
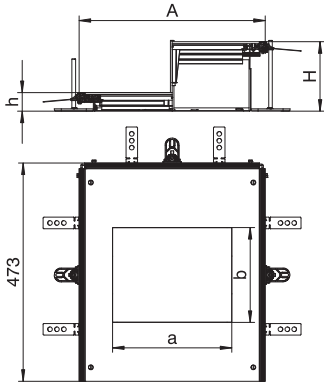
Size of the mounting unit suitable for the installation of a square installation unit of nominal size 4.



St FS



Extension unit for GES6, height 100–150 mm



Ready-to-mount trunking extension unit with a device installation lid for the installation of a flush-mount unit of nominal size 6, consisting of the trunking base (floor trough with side and floor covering contact profiles), trunking lid with blank mounting opening and a flushfloor end cover. The scope of delivery contains 3 height-adjustable fixing brackets, 3 screed anchors, 1 lid butt support and 1 construction set for 90° angle.

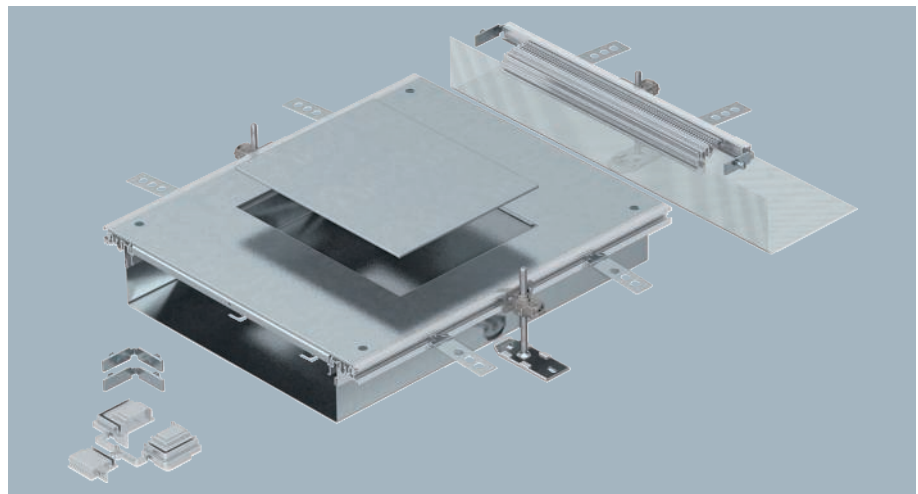
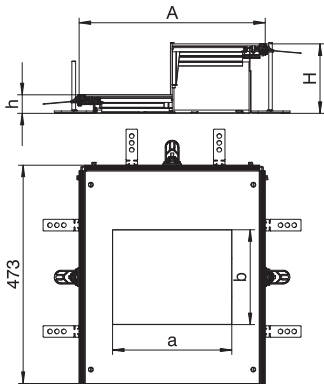
Size of the mounting unit suitable for the installation of a rectangular installation unit of nominal size 6.

Type	Dim. A mm	Dim. a mm	Dim. b mm	Trunking height mm	Nominal size	Pack Piece	Weight kg/100 pc.	Item no.
OKA-W A 10050 6	400	201	253	100-150	6	1	951.000	7424922

St FS



Extension unit for GES6, height 60–110 mm



Ready-to-mount trunking extension unit with a device installation lid for the installation of a flush-mount unit of nominal size 6, consisting of the trunking base (floor trough with side and floor covering contact profiles), trunking lid with blank mounting opening and a flushfloor end cover. The scope of delivery contains 3 height-adjustable fixing brackets, 3 screed anchors, 1 lid butt support and 1 construction set for 90° angle.

Size of the mounting unit suitable for the installation of a rectangular installation unit of nominal size 6.

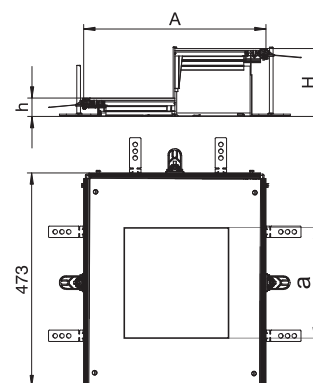
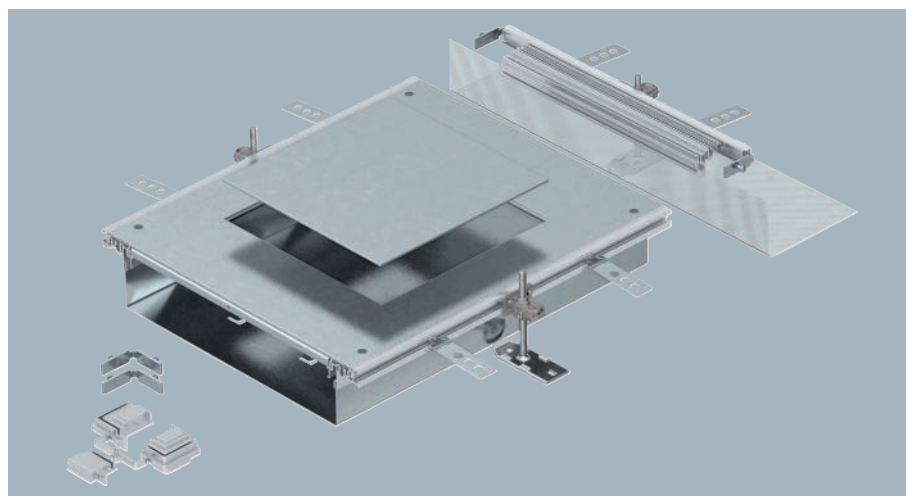
Type	Dim. A mm	Dim. a mm	Dim. b mm	Trunking height mm	Nominal size	Pack Piece	Weight kg/100 pc.	Item no.
OKA-W A 6050 6	400	201	253	60-110	6	1	922.000	7424902



Expansion unit with floor trough OKA-W

Extension unit for GES9, height 100–150 mm

St FS



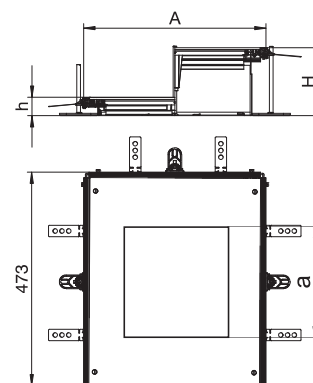
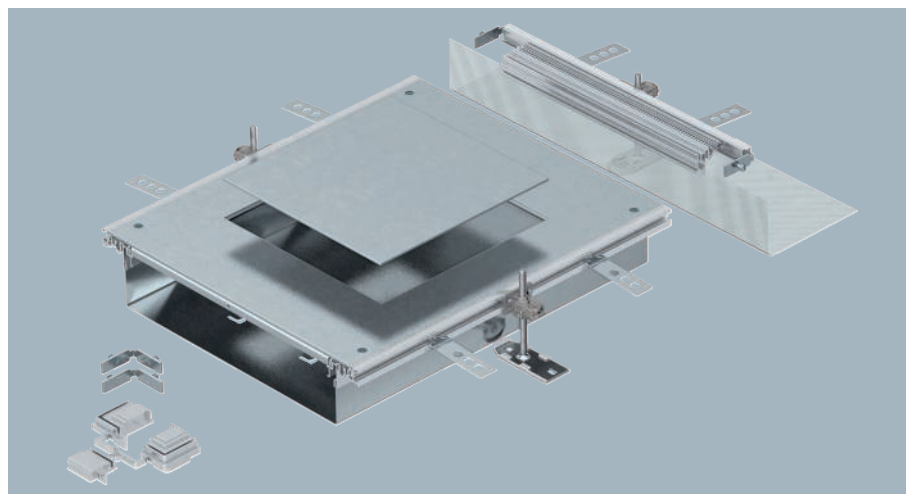
Type	Dim. A mm	Dim. a mm	Trunking height mm	Nominal size	Pack Piece	Weight kg/100 pc.	Item no.
OKA-W A 10050 9	400	244	100-150	9	1	1,010.000	7424924

Ready-to-mount trunking extension unit with a device installation lid for the installation of a flush-mount unit of nominal size 9, consisting of the trunking base (floor trough with side and floor covering contact profiles), trunking lid with blank mounting opening and a flushfloor end cover. The scope of delivery contains 3 height-adjustable fixing brackets, 3 screed anchors, 1 lid butt support and 1 construction set for 90° angle.

Size of the mounting unit suitable for the installation of a square installation unit of nominal size 9 or 9/55.

Extension unit for GES9, height 40–70 mm

St FS



Type	Dim. A mm	Dim. a mm	Trunking height mm	Nominal size	Pack Piece	Weight kg/100 pc.	Item no.
OKA-W A 4030 9	400	244	40-70	9	1	868.000	7424884

Ready-to-mount trunking extension unit with a device installation lid for the installation of a flush-mount unit of nominal size 9, consisting of the trunking base (floor trough with side and floor covering contact profiles), trunking lid with blank mounting opening and a flushfloor end cover. The scope of delivery contains 3 height-adjustable fixing brackets, 3 screed anchors, 1 lid butt support and 1 construction set for 90° angle.

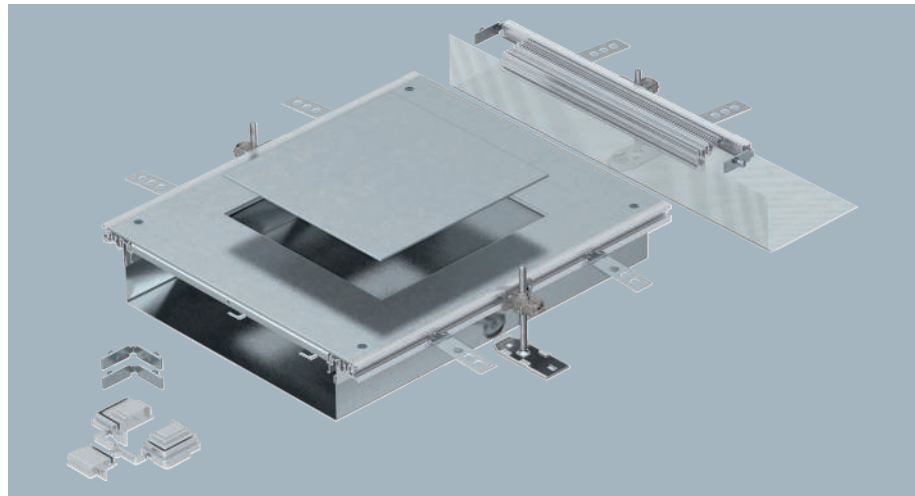
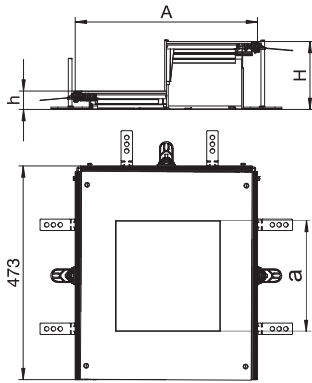
Size of the mounting unit suitable for the installation of a square installation unit of nominal size 9/55.



St FS



Extension unit for GES9, height 60–110 mm



Ready-to-mount trunking extension unit with a device installation lid for the installation of a flush-mount unit of nominal size 9, consisting of the trunking base (floor trough with side and floor covering contact profiles), trunking lid with blank mounting opening and a flush floor end cover. The scope of delivery contains 3 height-adjustable fixing brackets, 3 screed anchors, 1 lid butt support and 1 construction set for 90° angle.

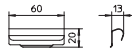
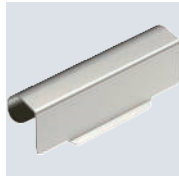
Size of the mounting unit suitable for the installation of a square installation unit of nominal size 9 or 9/55.

Type	Dim. A mm	Dim. a mm	Trunking height mm	Nominal size	Pack Piece	Weight kg/100 pc.	Item no.
OKA-W A 6050 9	400	244	60-110	9	1	882.000	7424904



Separating retainer connector

VA 2B



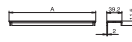
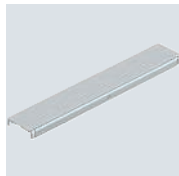
Type	Pack Piece	Weight kg/100 pc.	Item no.
TSGV A2	10	0.899	6067970

Separating retainer connector for screwless connection of the TSG separating retainer in all side heights.

Lid butt support OKA-G

Lid butt seal for trunking width 200 and 300 mm

St FS



Type	Dim. A mm	Pack Piece	Weight kg/100 pc.	Item no.
DSD2 200	200	1	10.250	7424990
DSD2 300	300	1	18.450	7424992

For underlaying and sealing joints of nominal trunking widths of 200 or 300 mm.

Lid butt support for trunking width 400, 500 and 600 mm

St FS



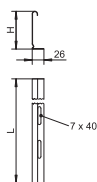
Type	Dim. A mm	Pack Piece	Weight kg/100 pc.	Item no.
DSU2 400	400	1	28.650	7424360
DSU2 500	500	1	35.850	7424362
DSU2 600	600	1	44.050	7424364

To support and seal the joints for nominal trunking widths of 400, 500 or 600. With installation option for a centrally arranged levelling unit.

OKA-G separating retainers

Separating retainer 60

St FS



Type	Dim. H mm	Metal thickness mm	Dim. L mm	Pack m	Weight kg/100 m	Item no.
TSG 60 FS	60	0.75	3000	3	55.700	6062068
TSG 85 FS	85	0.75	3000	3	70.300	6062114

Separating retainer for separation of cables of different voltages or functions.

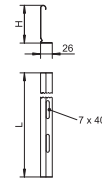
St FS



Separating retainer 110

Type	Dim. H	Metal thickness	Dim. L	Pack m	Weight kg/100 m	Item no.
	mm	mm	mm			
TSG 110 FS	110	0.75	3000	3	85.000	6062122

Separating retainer for separation of cables of different voltages or functions.



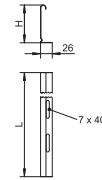
St FS



Separating retainer 135

Type	Dim. H	Metal thickness	Dim. L	Pack m	Weight kg/100 m	Item no.
	mm	mm	mm			
TSG 135 FS	135	0.75	3000	3	100.000	6062132

Separating retainer for separation of cables of different voltages or functions.



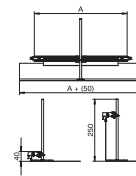
End pieces OKA-G

St FS

Trunking end piece, height 40–240 mm

Type	Width	Trunking height	Pack Piece	Weight kg/100 pc.	Item no.
	mm	mm			
OKA-G20040240ES	200	40-240	1	34.000	7424300
OKA-G30040240ES	300	40-240	1	47.000	7424302
OKA-G40040240ES	400	40-240	1	59.000	7424304
OKA-G50040240ES	500	40-240	1	81.000	7424306
OKA-G60040240ES	600	40-240	1	94.000	7424308

Ready-to-mount trunking end cap, consisting of a flexible apron with side and floor covering guide profiles. The scope of delivery contains trunking connection brackets and a height-adjustable fixing bracket.

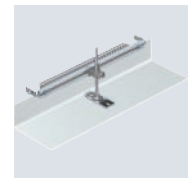
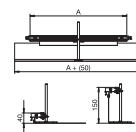


St FS

Trunking end piece, height 40–150 mm

Type	Width	Trunking height	Pack Piece	Weight kg/100 pc.	Item no.
	mm	mm			
OKA-G20040150ES	200	40-150	1	33.000	7424280
OKA-G30040150ES	300	40-150	1	45.000	7424282
OKA-G40040150ES	400	40-150	1	57.000	7424284
OKA-G50040150ES	500	40-150	1	78.000	7424286
OKA-G60040150ES	600	40-150	1	91.000	7424288

Ready-to-mount trunking end cap, consisting of a flexible apron with side and floor covering guide profiles. The scope of delivery contains trunking connection brackets and a height-adjustable fixing bracket.



Lid butt support OKA-W

Lid butt support for trunking width 400, 500 and 600 mm

St FS



Type	Dim. A mm	Trunking height mm	Pack Piece	Weight kg/100 pc.	Item no.
DSU2 400 4030	400	40-70	1	31.890	7424940
DSU2 500 4030	500	40-70	1	39.090	7424942
DSU2 600 4030	600	40-70	1	47.290	7424944

For underlaying and sealing joints of nominal trunking widths of 400, 500 or 600. With central, height-adjustable support.

Lid butt support, trunking height 60–110 mm

St FS



Type	Dim. A mm	Trunking height mm	Pack Piece	Weight kg/100 pc.	Item no.
DSU2 400 6050	400	60-110	1	33.490	7424960
DSU2 500 6050	500	60-110	1	40.690	7424962
DSU2 600 6050	600	60-110	1	48.890	7424964

For underlaying and sealing joints of nominal trunking widths of 400, 500 or 600. With central, height-adjustable support.

Lid butt support, trunking height 100–150 mm

St FS



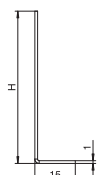
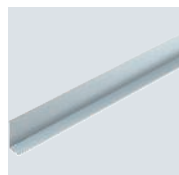
Type	Dim. A mm	Trunking height mm	Pack Piece	Weight kg/100 pc.	Item no.
DSU2 400 10050	400	100-150	1	34.040	7424980
DSU2 500 10050	500	100-150	1	41.240	7424982
DSU2 600 10050	600	100-150	1	49.440	7424984

For underlaying and sealing joints of nominal trunking widths of 400, 500 or 600. With central, height-adjustable support.

OKA-W separating retainers

Separating retainer

St FS



Type	Length mm	Height mm	Trunking height mm	Pack m	Weight kg/100 m	Item no.
OKA2 TW 40	2400	26.5	40	2.4	31.300	7401988
OKA2 TW 50	2400	36.5	50	2.4	39.200	7401992
OKA2 TW 60	2400	46.5	60	2.4	46.700	7401996
OKA2 TW 70	2400	56.5	70	2.4	54.600	7402000
OKA2 TW 80	2400	66.5	80	2.4	62.500	7402004
OKA2 TW 90	2400	76.5	90	2.4	70.000	7402008
OKA2 TW 100	2400	86.5	100	2.4	77.900	7401960
OKA2 TW 150	2400	136.5	150	2.4	117.100	7401980

Divider for use in the floor trough of the previously prepared OKA-W trunking unit.

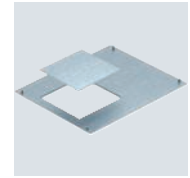
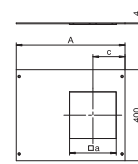
St FS



Mounting lid for GES4, 400 mm

Type	Width mm	Dim.			Pack Piece	Weight kg/100 pc.	Item no.
		A mm	a mm	c mm			
OKA D 500 4	500	477	201	141	1	570.000	7425064
OKA D 600 4	600	577	201	141	1	693.000	7425066

With mounting opening for the installation of an installation unit of nominal size 4. Mounting opening closed with blanking lid plate. Lid fixing screws contained in scope of delivery.



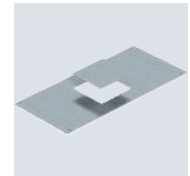
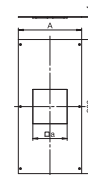
St FS



Mounting lid for GES4, 800 mm

Type	Width mm	Dim.		Pack Piece	Weight kg/100 pc.	Item no.
		A mm	a mm			
OKA DG4 300	300	277	201	1	669.000	7402040
OKA DG4 400	400	377	201	1	919.000	7402048

With mounting opening for the installation of an installation unit of nominal size 4. Mounting opening closed with blanking lid plate. Lid fixing screws contained in scope of delivery.



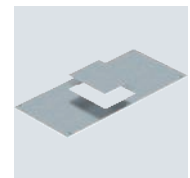
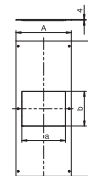
St FS



Mounting lid for GES6, 800 mm

Type	Width mm	Dim.			Pack Piece	Weight kg/100 pc.	Item no.
		A mm	a mm	b mm			
OKA DG6 400	400	377	201	253	1	905.000	7402056

With mounting opening for the installation of an installation unit of nominal size 6. Mounting opening closed with blanking lid plate. Lid fixing screws contained in scope of delivery.



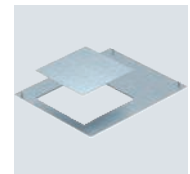
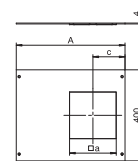
St FS



Mounting lid for GES9, 400 mm

Type	Width mm	Dim.			Pack Piece	Weight kg/100 pc.	Item no.
		A mm	a mm	c mm			
OKA D 500 9	500	477	244	161	1	570.000	7425102
OKA D 600 9	600	577	244	161	1	693.000	7425104

With mounting opening for the installation of an installation unit of nominal size 9. Mounting opening closed with blanking lid plate. Lid fixing screws contained in scope of delivery.



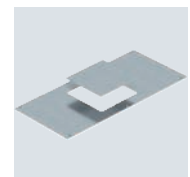
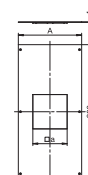
St FS



Mounting lid for GES9, 800 mm

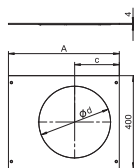
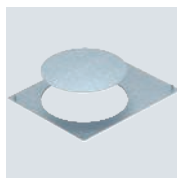
Type	Width mm	Dim.		Pack Piece	Weight kg/100 pc.	Item no.
		A mm	a mm			
OKA DG9 400	400	377	244	1	903.000	7402064

With mounting opening for the installation of an installation unit of nominal size 9. Mounting opening closed with blanking lid plate. Lid fixing screws contained in scope of delivery.



Mounting lid for GESR9, 400 mm

St FS

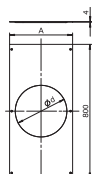


Type	Width mm	Dim. A mm	Dimen- sion d mm	Dim. Ø mm	Pack Piece	Weight kg/100 pc.	Item no.
OKA D 500 R9	500	477	305	192	1	570.000	7425122
OKA D 600 R9	600	577	305	192	1	693.000	7425124

With mounting opening for the installation of an installation unit of nominal size R9. Mounting opening closed with blanking lid plate. Lid fixing screws contained in scope of delivery.

Mounting lid for GESR9, 800 mm

St FS

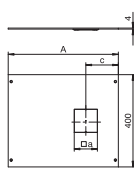
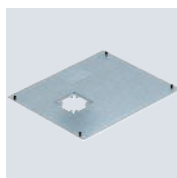


Type	Width mm	Dim. A mm	Dimen- sion d mm	Pack Piece	Weight kg/100 pc.	Item no.
OKA DGR9 400	400	377	305	1	888.000	7402068

With mounting opening for the installation of an installation unit of nominal size R9. Mounting opening closed with blanking lid plate. Lid fixing screws contained in scope of delivery.

Mounting lid for Telitank top, 400 mm

St FS

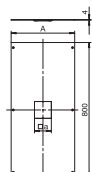
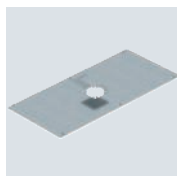


Type	Width mm	Length mm	Dim. A mm	Dim. a mm	Dim. c mm	Pack Piece	Weight kg/100 pc.	Item no.
OKA D 500 DAT	500	400	477	100	141	1	585.000	7425046
OKA D 600 DAT	600	400	577	100	141	1	710.000	7425048

With mounting opening for the setup of a Telitank. Mounting opening closed with blanking plate lid. Lid fixing screws contained in scope of delivery.

Mounting lid for Telitank top, 800 mm

St FS

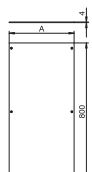


Type	Width mm	Dim. A mm	Dim. a mm	Pack Piece	Weight kg/100 pc.	Item no.
OKA DAT 200	200	177	100	1	436.000	7401904
OKA DAT 300	300	277	100	1	686.000	7401912
OKA DAT 400	400	377	100	1	936.000	7401920

With mounting opening for the setup of a Telitank. Mounting opening closed with blanking plate lid. Lid fixing screws contained in scope of delivery.

Mounting lid, blank, 800 mm

St FS



Type	Width mm	Dim. A mm	Pack Piece	Weight kg/100 pc.	Item no.
OKA D 200	200	177	1	442.000	7401870
OKA D 300	300	277	1	692.000	7401997
OKA D 400	400	377	1	942.000	7401898
OKA D 500	500	477	1	1,192.000	7425006
OKA D 600	600	577	1	1,442.000	7425008

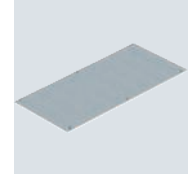
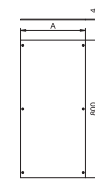
For blank closing of a trunking unit. Lid fixing screws contained in scope of delivery.

St FS



Mounting lid, blank, locking, 800 mm

Type	Dim.		Pack Piece	Weight kg/100 pc.	Item no.
	Width mm	A mm			
OKA D 200 R	200	177	1	447.600	7425020
OKA D 300 R	300	277	1	693.000	7425022
OKA D 400 R	400	377	1	943.000	7425024
OKA D 500 R	500	477	1	1,193.000	7425026
OKA D 600 R	600	577	1	1,443.000	7425028



For blank closing of a trunking unit. Lid fixing screws and locking elements contained in scope of delivery. Trunking lids with locking elements can be stacked, without any damage to the locking elements.

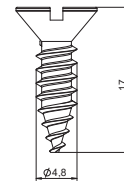
Lid fastening screws OKA-G and OKA-W



Lid fastening screw

Type	Pack Piece	Weight kg/100 pc.	Item no.
DBS BE	18	0.217	7407080

Lid fastening screw for fastening mounting lids and blanking lids in the open, screed-flush trunking systems OKA-G, OKA-W and OKB.



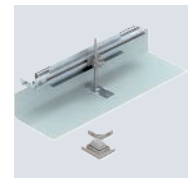
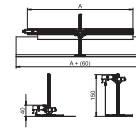
Construction set, OKA-G and OKA-W bracket junction

St FS



Construction set for 90° angle to left, height 40–150 mm

Type	Width mm	Pack Piece	Weight kg/100 pc.	Item no.
OKA-G20040150FBL	200	1	49.600	7423950
OKA-G30040150FBL	300	1	62.800	7423952
OKA-G40040150FBL	400	1	74.800	7423954
OKA-G50040150FBL	500	1	96.800	7423956
OKA-G60040150FBL	600	1	109.800	7423958



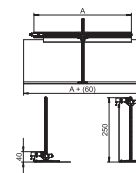
For construction-side creation of a trunking junction as a 90° angle to the left. With all the parts necessary for mounting. Suitable for the OKA-G and OKA-W trunking systems.

St FS



Construction set for 90° angle to left, height 40–240 mm

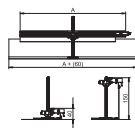
Type	Width mm	Pack Piece	Weight kg/100 pc.	Item no.
OKA-G20040240FBL	200	1	57.700	7423960
OKA-G30040240FBL	300	1	69.700	7423962
OKA-G40040240FBL	400	1	81.700	7423964
OKA-G50040240FBL	500	1	102.700	7423966
OKA-G60040240FBL	600	1	115.700	7423968



For construction-side creation of a trunking junction as a 90° angle to the left. With all the parts necessary for mounting. Suitable for the OKA-G and OKA-W trunking systems.

Construction set for 90° angle to right, height 40–150 mm

St FS

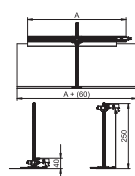
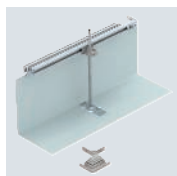


Type	Width mm	Pack Piece	Weight kg/100 pc.	Item no.
OKA-G20040150FBR	200	1	49.800	7423970
OKA-G30040150FBR	300	1	62.800	7423972
OKA-G40040150FBR	400	1	74.800	7423974
OKA-G50040150FBR	500	1	96.800	7423976
OKA-G60040150FBR	600	1	109.800	7423978

For construction-side creation of a trunking junction as a 90° angle to the right. With all the parts necessary for mounting. Suitable for the OKA-G and OKA-W trunking systems.

Construction set for 90° angle to right, height 40–240 mm

St FS

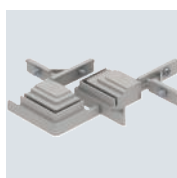


Type	Width mm	Pack Piece	Weight kg/100 pc.	Item no.
OKA-G20040240FBR	200	1	57.700	7423980
OKA-G30040240FBR	300	1	69.700	7423982
OKA-G40040240FBR	400	1	81.700	7423984
OKA-G50040240FBR	500	1	102.700	7423986
OKA-G60040240FBR	600	1	115.700	7423988

For construction-side creation of a trunking junction as a 90° angle to the right. With all the parts necessary for mounting. Suitable for the OKA-G and OKA-W trunking systems.

Construction set for trunking T branch and intersection

Zn



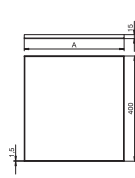
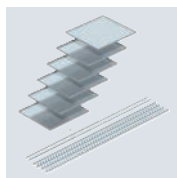
Type	Pack Piece	Weight kg/100 pc.	Item no.
OKA FB2 TX	1	24.800	7424821

For construction-side creation of a trunking junction as a T piece or intersection. With all the parts necessary for mounting. Suitable for the OKA-G and OKA-W trunking systems. 2 construction sets are required to create an intersection.

Cassettes OKA-G and OKA-W

Cassettes

VA



Type	Width mm	Cassette height mm	Pack Piece	Weight kg/100 pc.	Item no.
OKA RK 200 15	200	15	1	718.000	7425300
OKA RK 300 15	300	15	1	1,077.000	7425310
OKA RK 400 15	400	15	1	1,436.000	7425320

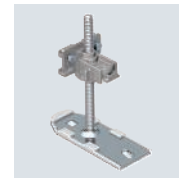
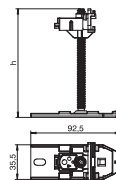
To accept wet or dry-cleaned floor coverings. Supplied with floor covering guide profiles and spacer bars (length = 1,200 mm) of cassette height. Six cassettes in the nominal trunking system width.

St



Height adjustment unit

Type	Dim. h mm	Trunking height mm	Pack Piece	Weight kg/100 pc.	Item no.
OKA NEVE 110	110	40-110	6	14.200	7425970
OKA NEVE 150	150	40-150	6	15.300	7425972
OKA NEVE 250	250	40-250	6	18.000	7425974



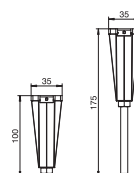
Complete levelling unit with express height adjustment for connecting, fastening and adjusting the height of trunking units of the OKA-G and OKA-W systems. For additional requirements.

St FS



Height adjustment unit for lid butt support, trunking height 100-175 mm

Type	Trunking height mm	Pack Piece	Weight kg/100 pc.	Item no.
NE DSU2 10075	100-175	3	5.390	7424844



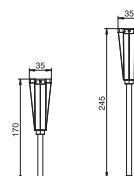
For central support of a lid butt support of nominal width 400, 500 or 600.

St FS



Height adjustment unit for lid butt support, trunking height 170-245 mm

Type	Trunking height mm	Pack Piece	Weight kg/100 pc.	Item no.
NE DSU2 17075	170-245	3	7.450	7424846



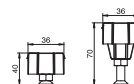
For central support of a lid butt support of nominal width 400, 500 or 600.

St FS



Height adjustment unit for lid butt support, trunking height 40-70 mm

Type	Trunking height mm	Pack Piece	Weight kg/100 pc.	Item no.
NE DSU2 4030	40-70	3	3.240	7424840



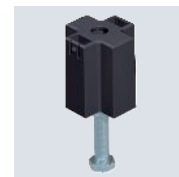
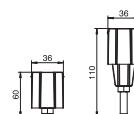
For central support of a lid butt support of nominal width 400, 500 or 600.

St FS



Height adjustment unit for lid butt support, trunking height 60-110 mm

Type	Trunking height mm	Pack Piece	Weight kg/100 pc.	Item no.
NE DSU2 6050	60-110	3	4.840	7424842

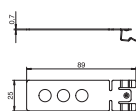
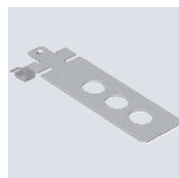


For central support of a lid butt support of nominal width 400, 500 or 600.

Screed anchor OKA-G and OKA-W

Screed tie

VA



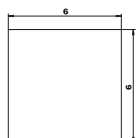
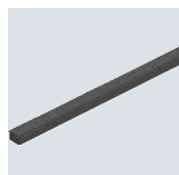
Type	Pack Piece	Weight kg/100 pc.	Item no.
EA3 6	6	1.300	7425140

For anchoring trunking units, end caps and extension units in the screed.

Flat seal OKA-G and OKA-W

Flat seal

MGUM



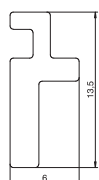
Type	Dim.			Pack m	Weight kg/100 m	Item no.
	Length mm	Width mm	h mm			
OKA FD	15000	6	6	15	1.000	7424822

For later adhesion in the side profiles of the OKA-G/-W trunking system, allows the use of the trunking system in wet-cleaned floors, sold by the roll.

Floor covering profiles OKA-G and OKA-W

Floor covering contact profile

Alu

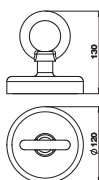


Type	Length mm	Width mm	Pack m	Weight kg/100 m	Item no.
OKA BA4 3	2400	4	48	10.300	7404220

Floor guide profile for the OKA-G and OKA-W trunking systems. Insertable in the side profile flush with floor or at a height of 3 mm above the floor. Spare part.

Lifting tool OKA-G and OKA-W

Magnetic lifter, 1,300 N



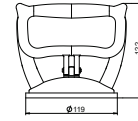
Type	Pack Piece	Weight kg/100 pc.	Item no.
WZ 1028	1	201.600	7408630

Magnetic lifter WZ 1028 for lifting boxes and trunking covers that have textile floor coverings of a 3–10 mm thickness glued on. Adhesive force: 1,300 N

Suction lifter, 300 N

Type	Pack Piece	Weight kg/100 pc.	Item no.
WZ 1029	1	51.000	7408634

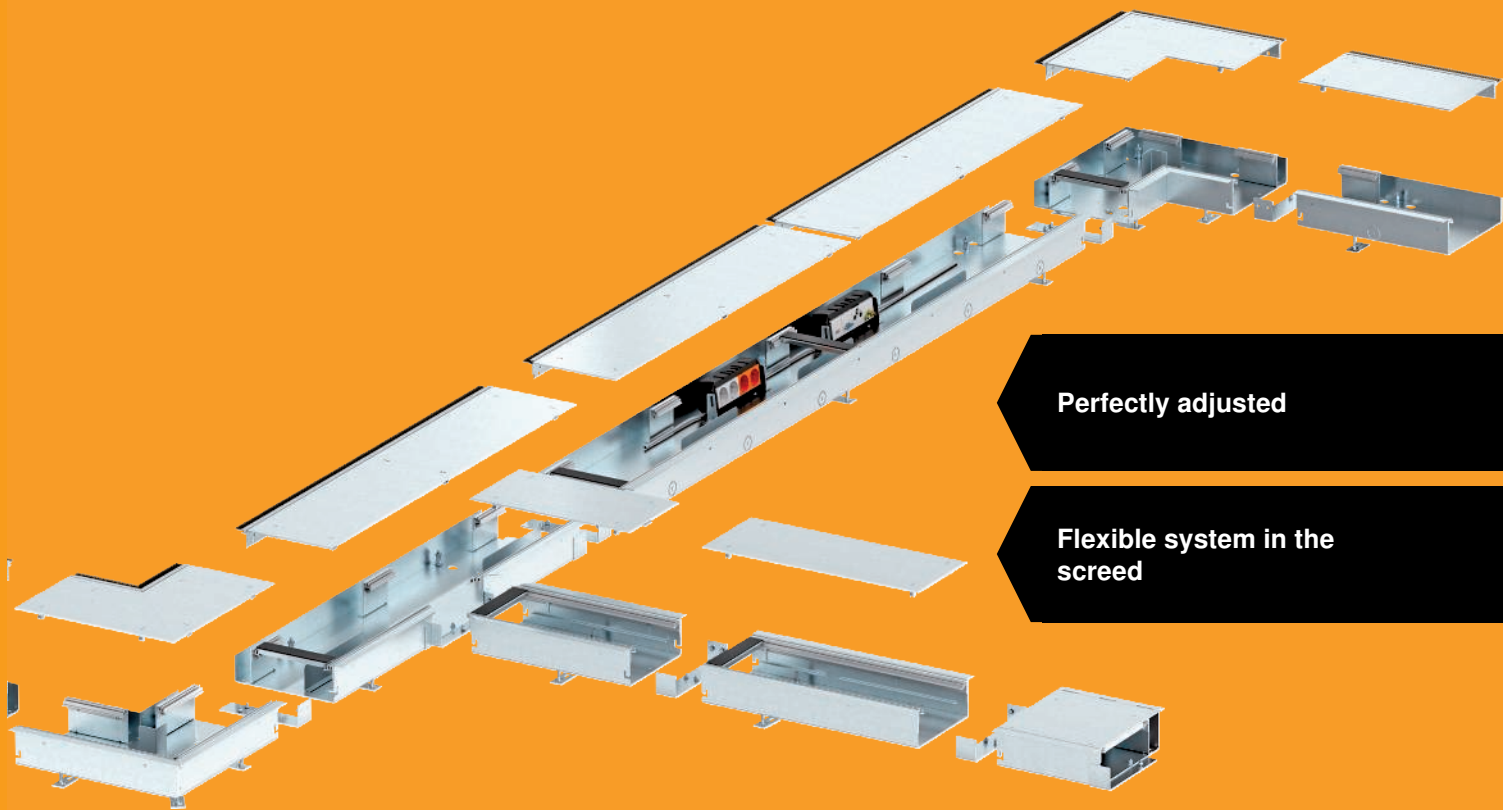
For lifting out cassettes, boxes and trunking lids. Support force 300 N.



OKB brush bar trunking system

There are almost no signs of how this room is supplied with power. Only a slender, discreet brush bar along the wall offers an indication. It is there that the open, screed-flush OKB brush bar trunking system runs. The special feature: The trunking has an opening towards the wall along its entire length. A brush bar covers this opening and serves as a visually attractive sight and dust protection. The cables can be run out of the trunking at any location.

Underfloor applications, in screed



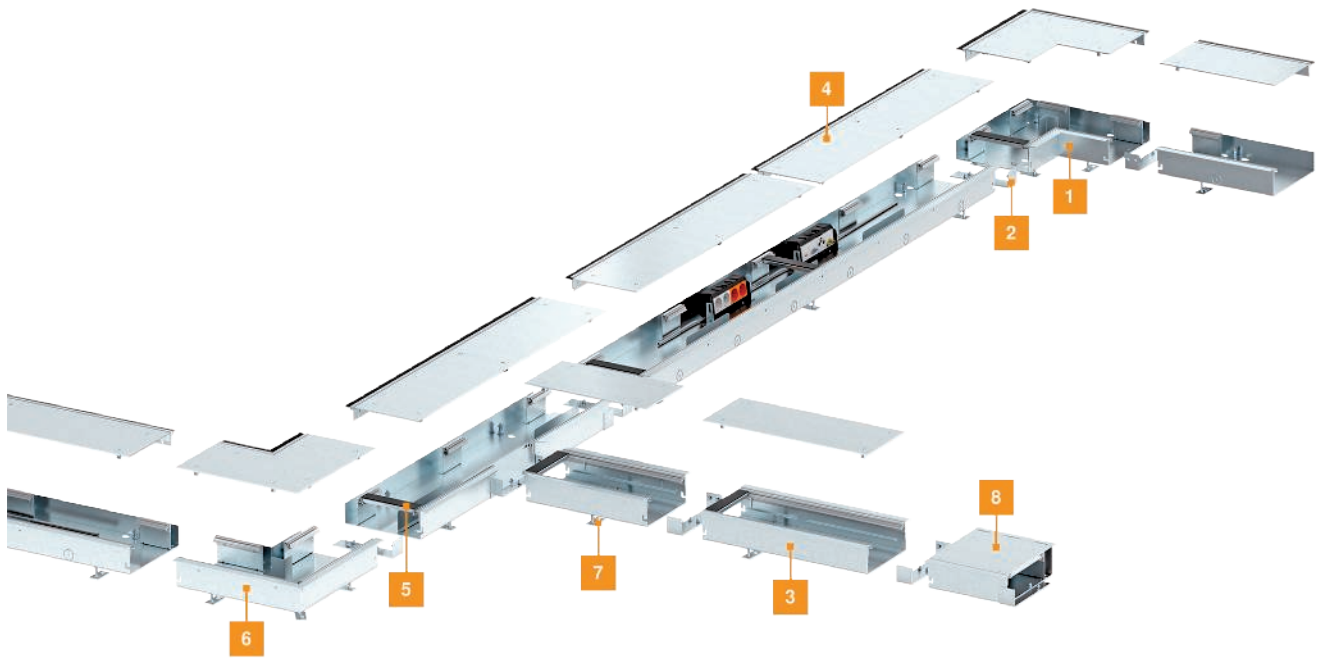
Perfectly adjusted

Flexible system in the screed



OKB trunking unit with brush bar

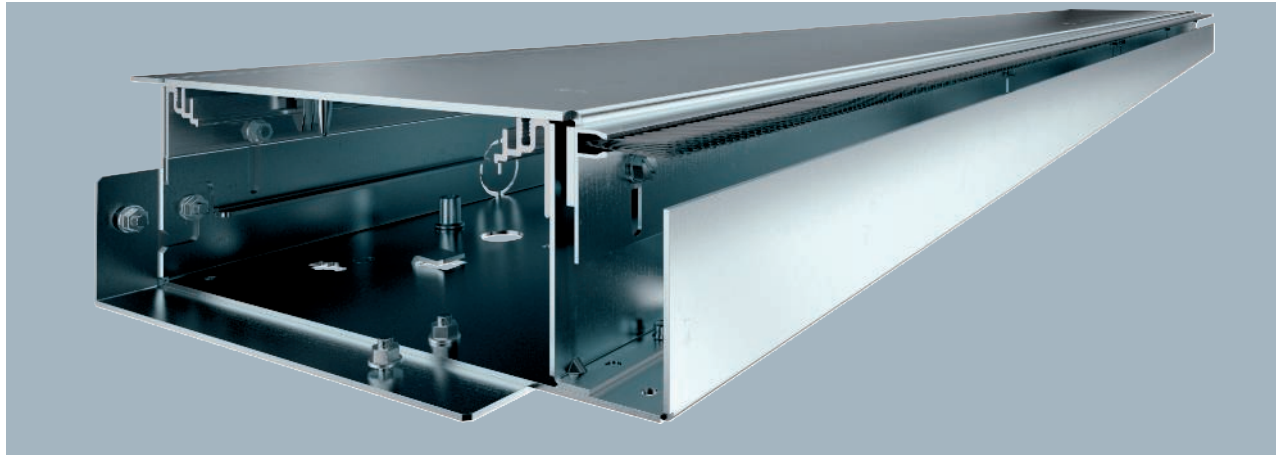
Installation principle



- | | |
|---|------------------------------|
| 1 | External corner |
| 2 | Connector for trunking unit |
| 3 | Supply trunking |
| 4 | Trunking unit with brush bar |
| 5 | Lid butt seal |
| 6 | Internal corner |
| 7 | Height-adjustment unit |
| 8 | Wall penetration |

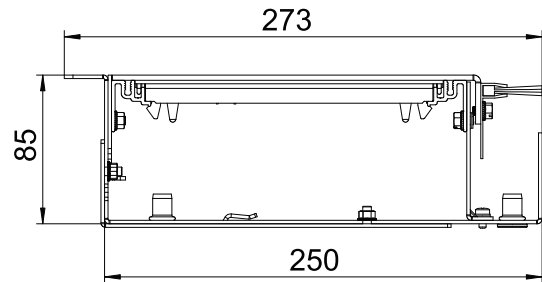


Trunking unit with brush bar



Type	Width mm	Length mm	Dim. h mm	Pack m	Weight kg/100 m	Item no.
OKB U 25085 BLON	250	2000	85	2	1,425.000	7403816

Ready-to-mount trunking unit for cable routing and device installation, consisting of a trunking base with two lids and height-adjustable brush bar and one floor covering contact profile. The scope of delivery contains two lid butt seals and a connector. For height adjustment six levelling units are required.



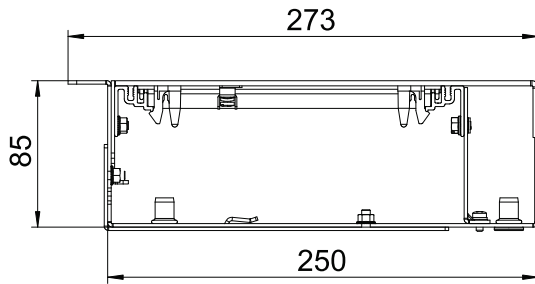
St FS

Trunking unit with blanking lid



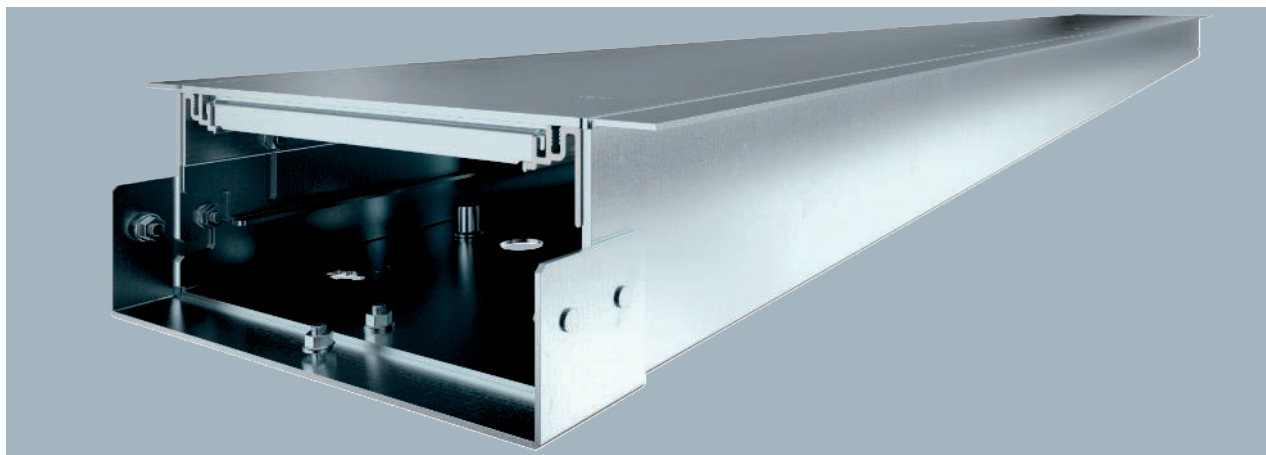
Ready-to-mount trunking unit for cable routing and device installation, consisting of a trunking base with two blind lids and one floor covering contact profile. The scope of delivery contains two lid butt seals and a connector. For height adjustment six levelling units are required.

Type	Dim.		h mm	Pack m	Weight		Item no.
	Width mm	Length mm			m	kg/100 m	
OKB U 25085 BD	250	2000	85	2	1,448.500	7403818	



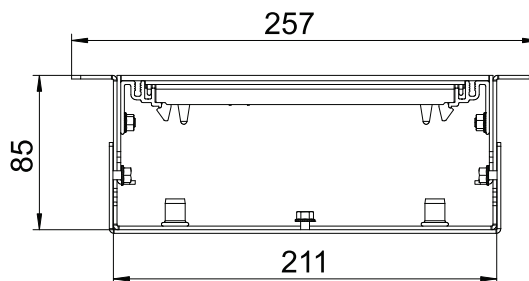
OKB supply trunking

St FS



Type	Dim.			Pack	Weight	Item no.
	Width	Length	h			
OKB E 25085 ON	210	2000	85	2	1,320.000	7403811

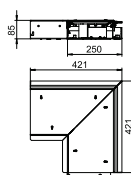
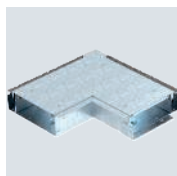
Ready-to-mount trunking unit for cable laying, consisting of a trunking base with two lids and two height-adjustable floor covering contact profiles. The scope of delivery contains two lid butt seals and a connector. For height adjustment six levelling units are required.



Internal corners OKB

Internal corner, without height adjustment unit

St FS



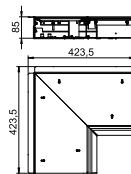
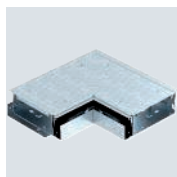
Type	Dim.			Pack	Weight	Item no.
	Width	Length	h			
OKB IE 25085 ON	250	421	85	1	850.000	7403826

Ready-to-mount internal corner, consisting of a trunking base, two lids, height-adjustable side profiles and brush bar arranged on the wall side for cable alignment. The scope of delivery contains one lid butt seal and a connector. For height adjustment five levelling units are required.

OKB external corners

External corner, without height adjustment unit

St FS



Type	Dim.			Pack	Weight	Item no.
	Width	Length	h			
OKB AE 25085 ON	250	422	85	1	858.000	7403831

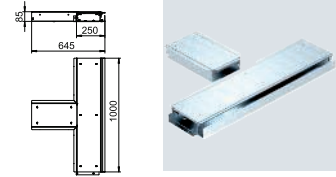
Ready-to-mount external corner, consisting of a trunking base, two lids, height-adjustable side profiles and brush bar arranged on the wall side for cable alignment. The scope of delivery contains one lid butt seal and a connector. For height adjustment five levelling units are required.

St FS

T piece, without height adjustment units

Type	Width mm	Length mm	Dim. h mm	Pack Piece	Weight kg/100 pc.	Item no.

Ready-to-mount connection of a trunking unit with a brush bar and a trunking unit for cable laying, consisting of trunking bases, two lids, height-adjustable side profiles and brush bar arranged on the wall side for cable alignment. The scope of delivery contains two lid butt seals and two connectors. For height adjustment six levelling units are required.



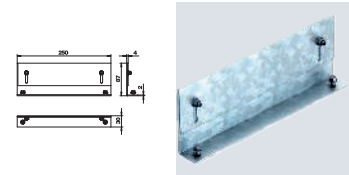
End pieces OKB

St FS

Trunking end piece

Type	Width mm	Trunking height mm	Pack Piece	Weight kg/100 pc.	Item no.

Ready-to-mount trunking end connection, consisting of a side wall and a height-adjustable side profile for universal installation on left or right.



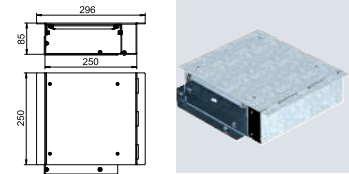
OKB wall penetrations

St FS

Wall penetration

Type	Width mm	Length mm	Dim. h mm	Pack Piece	Weight kg/100 pc.	Item no.

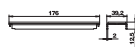
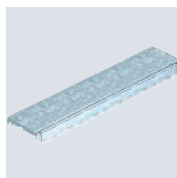
Ready-to-mount trunking unit for passing through a wall, consisting of a trunking base with a blind lid. The scope of delivery contains a lid butt seal and a connector.



Lid butt seals OKB

Lid butt seal

St FS



Type

OKB DSD 250

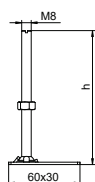
Pack Piece	Weight kg/100 pc.	Item no.
1	14.600	7403845

For underlaying the joints.

Height adjustment units

Height adjustment unit RKNEV2

St G



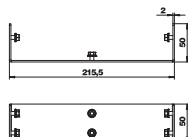
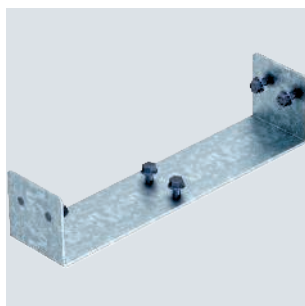
Type	Dim. h mm	Pack PU	Weight kg/100 PUs	Item no.
RK NEV2 70	70	1	20.000	7405814
RK NEV2 110	110	1	25.200	7405815
RK NEV2 150	150	1	30.000	7405816
RK NEV2 190	190	1	35.000	7405817
RK NEV2 230	230	1	40.000	7405818
RK NEV2 270	270	1	45.800	7405819

For flush-floor height adjustment of the height adjustable cassette units and the OKB screed-flush trunking system. The VPE consists of 4 height adjustment units.

Duct connector OKB

Connector for supply trunking

St FS



Type

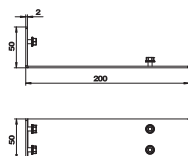
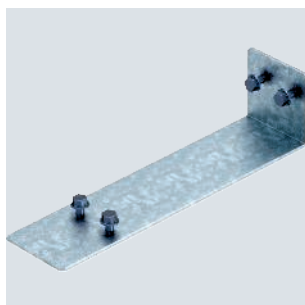
OKB V 210

Pack Piece	Weight kg/100 pc.	Item no.
1	25.600	7403860

Connection element for trunking units and fittings.

Connector for trunking unit with brush bar

St FS



Type

OKB V 250

Pack Piece	Weight kg/100 pc.	Item no.
1	20.240	7403855

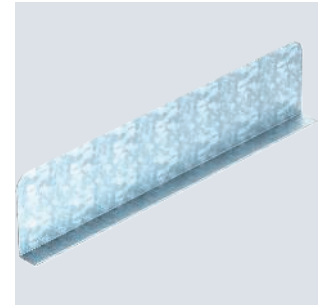
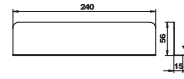
Connection element for trunking units and fittings.

St FS

Separating retainer

Type	Length mm	Pack Piece	Weight kg/100 pc.	Item no.
OKB TW 85240	240	5	13.100	7403841
OKB TW 852000	2000	1	109.000	7403843

Separating retainer for use in the trunking base.



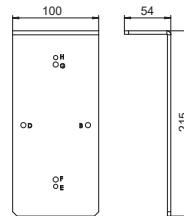
Drilling templates OKB

St FS

Drilling template for supply trunking

Type	Pack Piece	Weight kg/100 pc.	Item no.
OKB BS E	1	82.200	7403881

Drilling template for the construction-side creation of all the necessary holes for the mounting of a trunking unit, cut to length, without a brush bar.

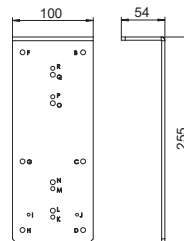


St FS

Drilling template for trunking with brush bar

Type	Pack Piece	Weight kg/100 pc.	Item no.
OKB BS BL	1	97.100	7403883

Drilling template for the construction-side creation of all the necessary holes for the mounting of a trunking unit, cut to length, with a brush bar.



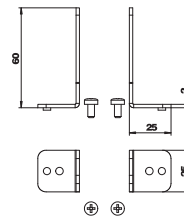
Device support OKB

St FS

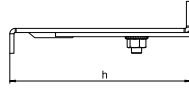
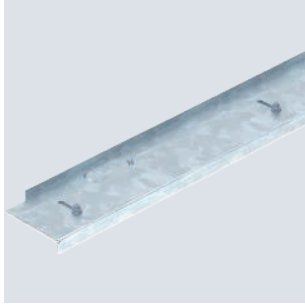
Device support

Type	Pack Piece	Weight kg/100 pc.	Item no.
OKB IT	1	5.700	7403850

System fastening for universal supports in the trunking base.



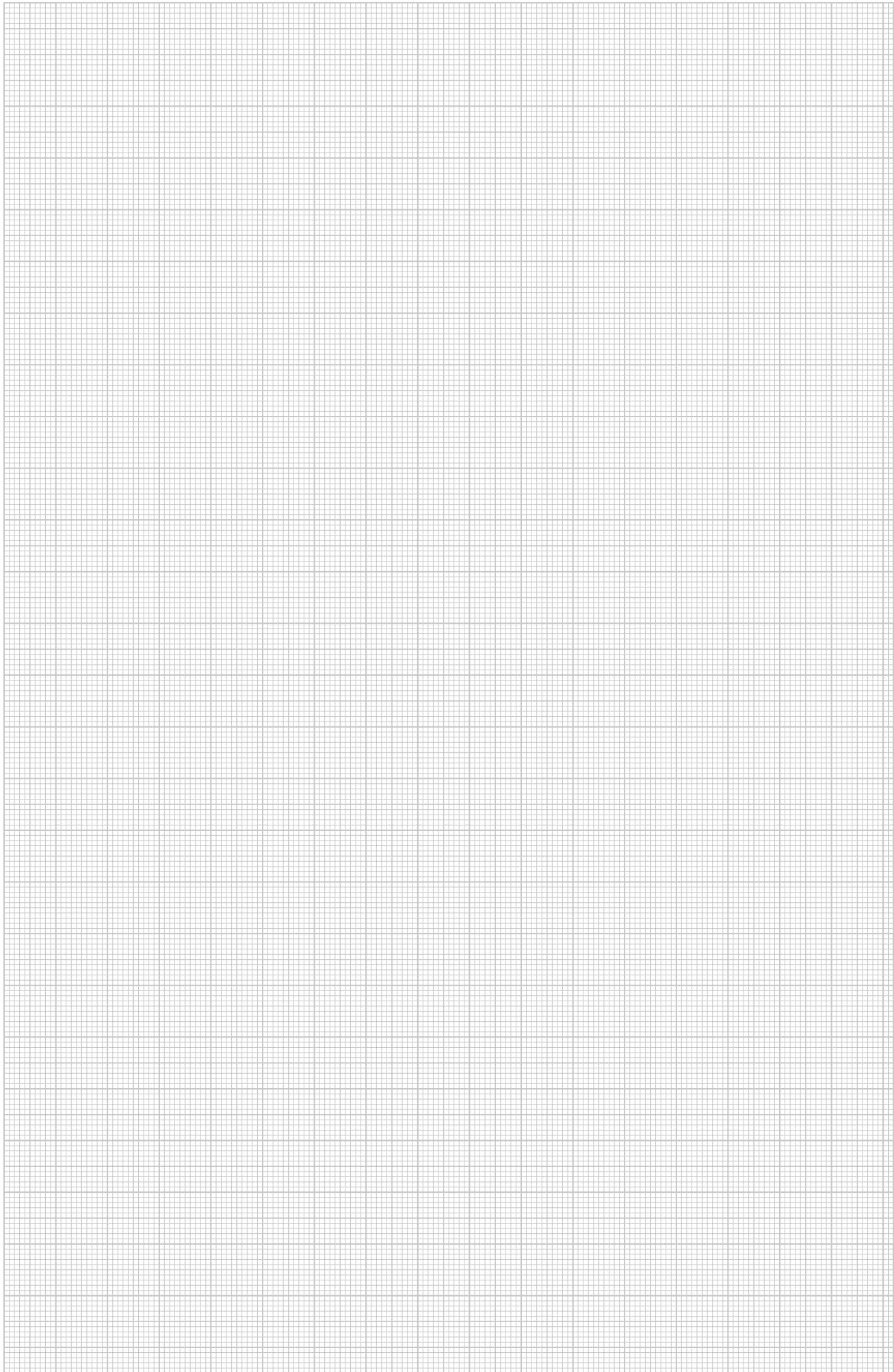
Profile for screed limitation



Type	Length mm	Pack Piece	Weight kg/100 pc.	Item no.
OKB EP 1000	1000	1	205.000	7403895

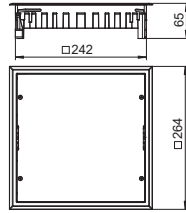
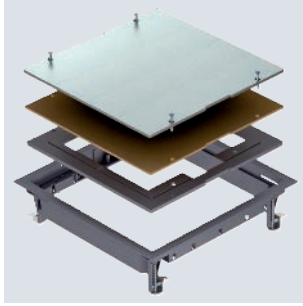
Extension profile for screed limitation in areas of door frames and in front of radiator niches.





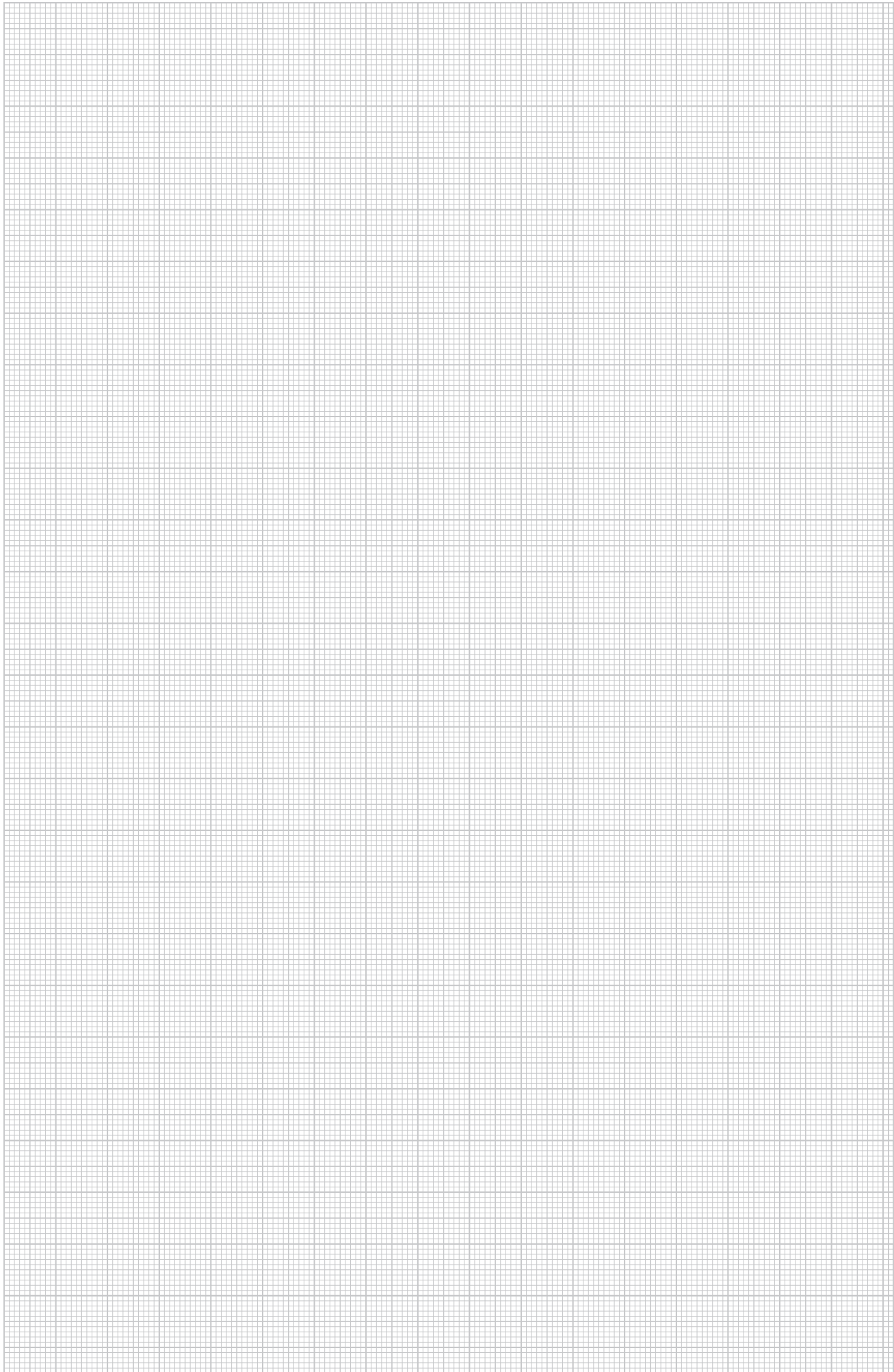
ZES9 inspection cover

PA



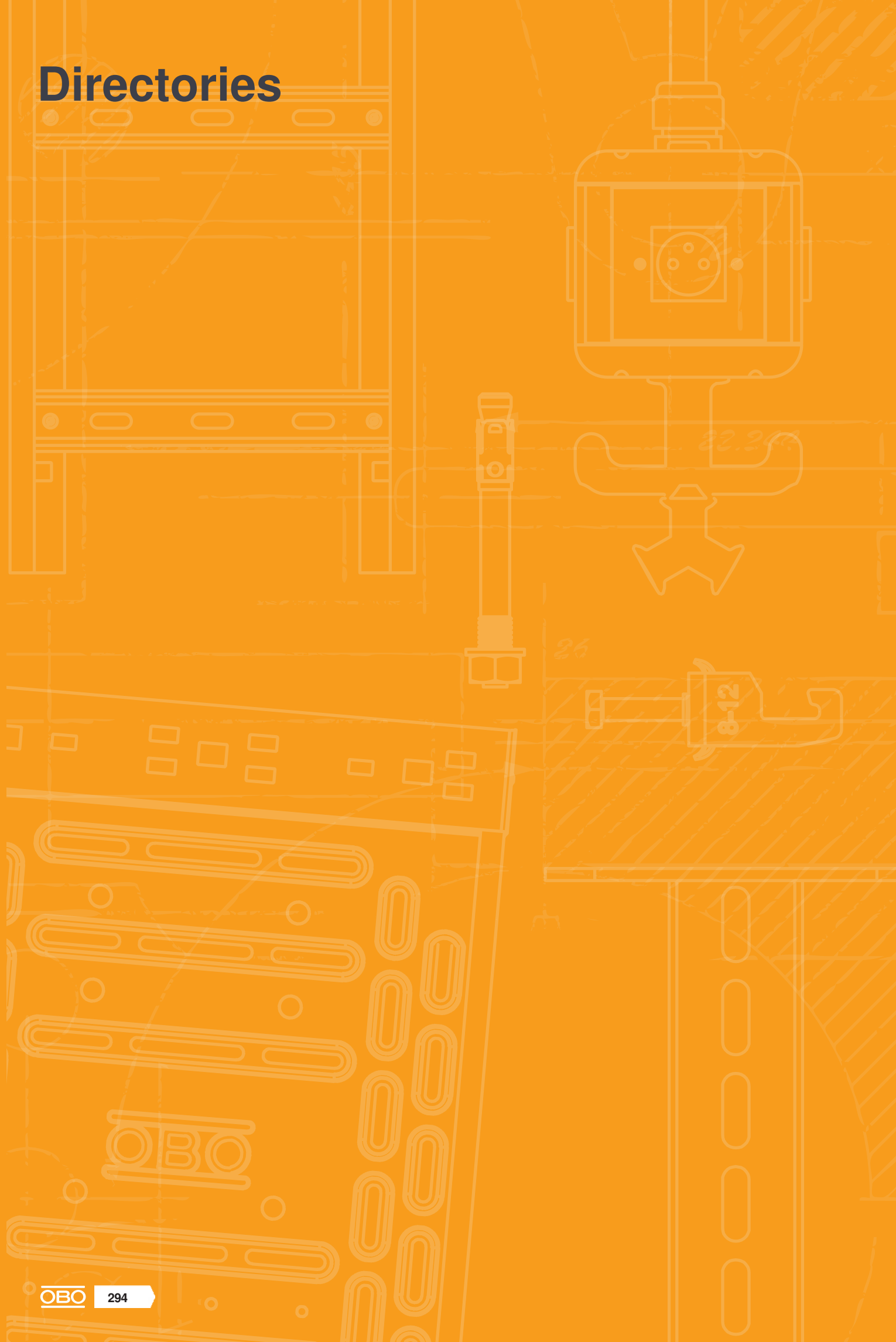
Type	Colour	Floor covering thickness mm	Pack Piece	Weight kg/100 pc.	Item no.
ZES9-2 U10T 7011	Iron grey	10	1	206.300	7406672

Junction box insert for blank closing of a square mounting opening of nominal size 9 in an underfloor duct or trunking system or in raised floor for indoor use. Polyamide floor covering profile.
Recess is 5 mm, if necessary, adjustable to 3, 8 or 10 mm.


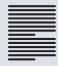
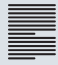




Directories






























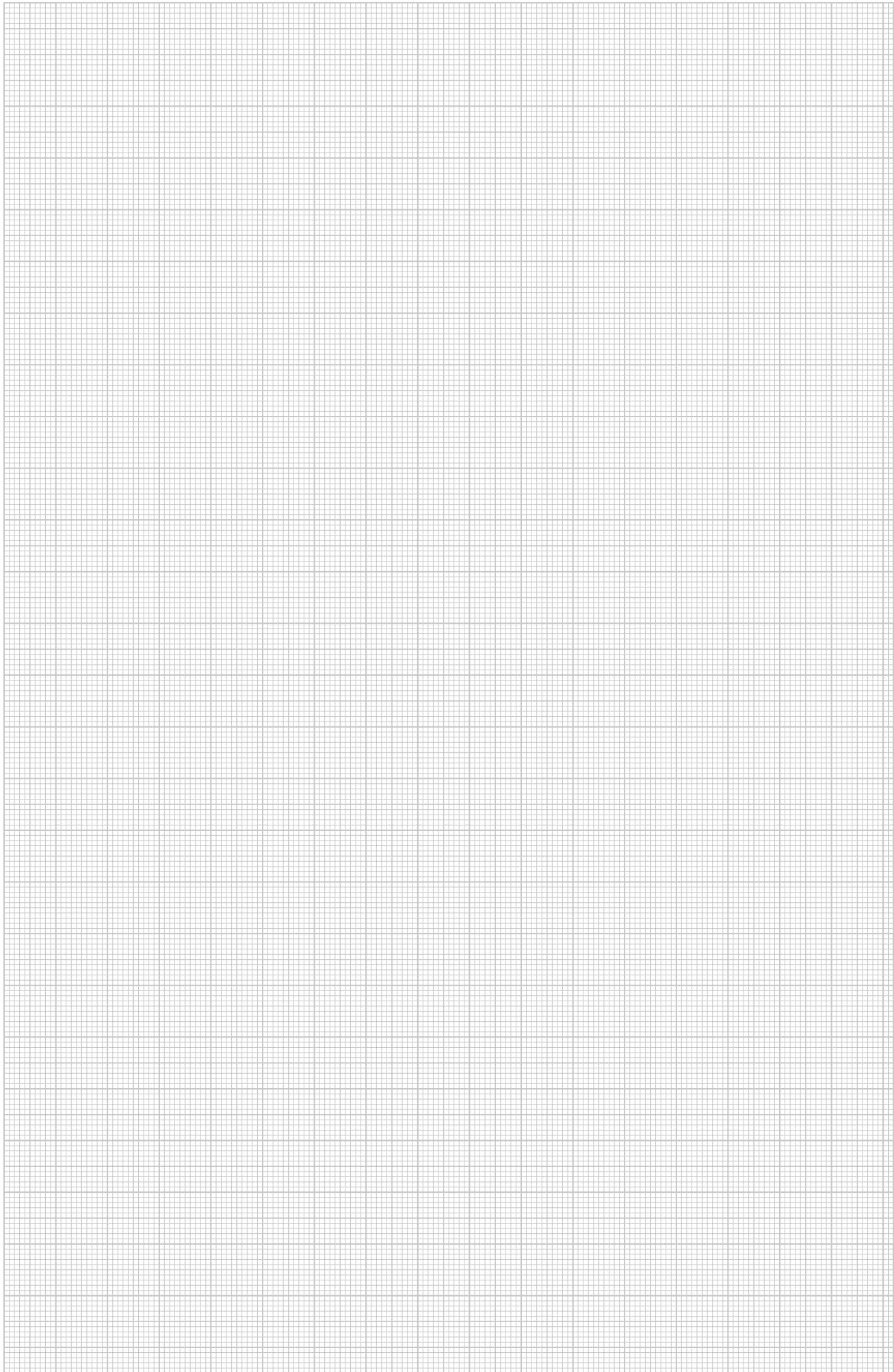
Directories

	Test marks	296
	Pictogram explanation	298
	Numeric directory	302



Test marks

	American Bureau of Shipping, USA		Underwriters Laboratories Inc., USA + CSA, Canada
	AENOR, Producto Certificado, Spain		Österreichischer Verband für Elektrotechnik, Austria
	STOWARZYSZENIE ELEKTRYKÓW POLSKICH, Poland		ISTITUTO ITALIANO DEL MARCHO DI QUALITÀ, Italy
	Lightning current-tested		RINA 1861, Ship Classification, Certification and Services
	Lightning current-tested, Class H (100 kA)		Underwriters Laboratories Inc., USA
	CEBEC, Belgium		SEMKO An Inchcape Testing Services Company, Sweden
	Canadian Standards Association, Canada		Eidgenössisches Starkstrominspektorat, Switzerland
	DEMKO, Danmarks Elektriske Materielkontrol, Denmark		South African Bureau of Standards
	Deutsches Institut für Bautechnik Berlin, Germany		Shock-tested, Bundesamt für Zivilschutz, Germany
	Det Norske Veritas		Sähköarkastuskeskus Elinspektionscentralen Electrical Inspectorate, Finland
	ENEC Austria		Underwriters Laboratories Inc., USA
	ATEX certificate for explosive areas		Underwriters Laboratories Inc., USA
	ELEKTROTECHNICKÝ ZKUŠEBNÍ ÚSTAV, Czech Republic		Verband der Elektrotechnik, Elektronik, Informationstechnik e.V., Germany
	FIMKO, Finland		German Association of Electricians, tested safety
	Forschungs- und Materialprüfungsanstalt, Germany		5-year warranty
	Russia, GOST The State Committee for Standards		
	Test marks for technical resources, VDE Prüf- und Zertifizierungsinstitut Offenbach, Germany		
	Halogen-free; without chlorine, fluorine and bromine		
	INMETRO, Brazil		
	KEMA-KEUR, Netherlands		
	Indication of metric products		
	MAGYAR ELEKTROTECHNIKAI ELLENŐRZŐ INTÉZET Budapest, Hungary		
	NEMKO, Norway		
	AFNOR Quality symbol of the French standardisation institute		



Pictogram explanation

Surfaces

FS	Strip galvanised
FSK	Strip galvanised/plastic-coated
DD	Strip galvanised zinc/aluminium, double dip
BK	Bright
EL	Anodised
F	Hot-dip galvanised
G	Electrogalvanised
EI	Electrogalvanised/plastic-coated
GCL	Electrogalvanised, yellow-chromated
GGP	Electrogalvanised, yellow passivated
GTP	Electrogalvanised, transparently passivated
GR	Primed
L	Painted
SG	Welding primed
FT	Hot-dip galvanised
FT SO	Hot-dip galvanised 85 µm
Cu	Copper-plated
N	Nickel-plated
ZD	Galvanised, Deltatone 500
ZDM	Galvanised, MAGNI 565
GA	Zinc-aluminium coated, Galfan
ZL	Zinc scale

Conformity symbol

CE	Communautés Européennes, EC declaration of conformity according to EC directives
RoHS conform	RoHS-conformant

Quality marks

Halogen-free	Halogen-free; without chlorine, fluorine and bromine
650	Flame resistant 650 °C
750	Flame resistant 750 °C
960	Flame resistant 960 °C
UV resistant	UV-resistant

Specific product symbols

Ø 60	Diameter 60 mm
Ø 68	Diameter 68 mm
Type 3	Protection device to DIN EN 61643-11 or IEC 61643-11
LPZ 2→3	Transition from LPZ 2 to LPZ 3
AS	Acoustic signalling



Applications

FS	Remote signalling
AS	Acoustic signalling
ISDN	Integrated Service Digital Network, ISDN applications
DSL	Digital Subscriber Line, DSL applications
Analog TK	Analogue telecommunication
Cat 5	Category 5 TwisterPair
Cat 6	Channel Performance to American EIA/TIA standard
MSR	Measuring, controlling and regulating systems
TV	TV applications
SAT	SAT-TV applications
Mu	MultiBase base
LifeControl	LifeControl
EX	Intrinsically safe protection device for potentially explosive areas
Class E	Channel Performance to ISO / IEC 11801
PoE	Power over Ethernet
230/400 V System	230/400 V system
IP 54	Protection rating IP 54
IP 65	Protection rating IP 65







Lightning protection classes

Type 1	Protection device to DIN EN 61643-11 or IEC 61643-11
Type 1+2	Combination protection device made of type 1 and type 2
Type 2	Protection device to DIN EN 61643-11 or IEC 61643-11






Lightning protection classes

	Protection device to DIN EN 61643-11 or IEC 61643-11
	Protection device to DIN EN 61643-11 or IEC 61643-11



Lightning protection zone

	Transition from LPZ 0 to LPZ 1
	Transition from LPZ 0 to LPZ 2
	Transition from LPZ 0 to LPZ 3
	Transition from LPZ 1 to LPZ 2
	Transition from LPZ 1 to LPZ 3
	Transition from LPZ 2 to LPZ 3



BSS maintenance of electrical function installation

	Fire-tested systems
	Escape route ceiling mounting with pressure clip
	OBO Grip, wall routing type
	OBO Grip, ceiling routing type
	Pressure clip for maintenance of electrical function, ceiling mounting




BSS anchor

	Fire protection anchor
	Fire protection bolt tie

BSS test marks/material class

	Maintenance of electrical function class E30
	Maintenance of electrical function class E90




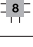




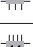
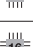



Clamp clip base shapes

	Clamp clip for C profile rail, slot width 11–12 mm
	Clamp clip for C profile rail, slot width 16–17 mm
	Clamp clip for C profile rail, slot width 18–22 mm



Diameter

	Diameter 60 mm
	Diameter 68 mm
	Diameter 70 mm
	Diameter 74 mm





Entries

	4 cable entries
	6 cable entries
	7 cable entries
	8 cable entries
	9 cable entries
	10 cable entries
	12 cable entries
	10 cable entries ECO
	12 cable entries ECO
	14 cable entries ECO
	16 cable entries
	18 cable entries ECO
	24 cable entries






Gland thread

	Thread metric
	Thread Pg





Entry size

	M20 entry
	M25 entry
	M32 entry
	M40 entry

KTS side heights

	Cable tray, side height 35 mm
	Cable tray, side height 60 mm
	Cable tray, side height 85 mm
	Mesh cable tray, slant height 35 mm
	Mesh cable tray, slant height 55 mm










Materials

	Flat steel
	Angular steel
	U steel
	Round material






Pictogram explanation

Nominal cross-section

	Nominal cross-section 1.5 mm ²
	Nominal cross-section 1.5–2.5 mm ²
	Nominal cross-section 2.5 mm ²
	Nominal cross-section 2.5–4 mm ²
	Nominal cross-section 4 mm ²
	Nominal cross-section 4–6 mm ²
	Nominal cross-section 6 mm ²
	Nominal cross-section 10 mm ²
	Nominal cross-section 16 mm ²











Nominal voltage

	Nominal voltage 400 V
	Nominal voltage 500 V
	Nominal voltage 660 V





Polarity

	3-pole
	5-pole
	7-pole
	8-pole
	10-pole
	12-pole


Slot widths

	Slot width 7.5 mm
	Slot width 11 mm
	Slot width 11–12 mm
	Slot width 12 mm
	Slot width 15 mm
	Slot width 16 mm
	Slot width 16.5 mm
	Slot width 16–17 mm
	Slot width 17 mm
	Slot width 18 mm
	Slot width 22 mm
	Slot width 35 mm











Screw heads

	Philips screw
	Torx screw
	Phillips screw
	Pozidrive



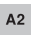
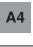
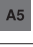



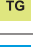

Firing devices

	Bolt-firing tool
	Nail device





Protection rating

	Protection rating IP 20
	Protection rating IP 30
	Protection rating IP 31
	Protection rating IP 44
	Protection rating IP 54
	Protection rating IP 55
	Protection rating IP 65
	Protection rating IP 66
	Protection rating IP 67
	Protection rating IP 68

Metals

	Aluminium
	Aluminium/steel
	Stainless steel, rustproof
	Stainless steel, rustproof
	Stainless steel, rustproof
	Copper
	Brass
	Steel
	Malleable iron
	Die-cast zinc

Plastics

	Acrylonitrile butadiene styrene
	Duroplast, Aminoplast, type 131.5
	Duroplast, melamine resin, type 150
	Ethylene vinyl acetate



Plastics

FA	Fibre-proof material DIN 28091
GFK	Fibre-glass-reinforced plastic
NBR SBR	Rubber mixture
NBR	Nitrile rubber
PETR	Petrolatum
PA	Polyamide
PA/ GF	Polyamide, fibre-glass reinforced
PBPT	Polybutylene terephthalate
PC	Polycarbonate
PE	Polyethylene
PP	Polypropylene
PP/GF	Polypropylene, fibre-glass reinforced
PS	Polystyrene
PVC	Polyvinylchloride
ZELL PE	Cellular polyethylene



Numeric directory

GTIN	Item no.	Page	GTIN	Item no.	Page	GTIN	Item no.	Page	GTIN	Item no.	Page	GTIN	Item no.	Page
	price/m			/pc.			/pc.			/pc.			/pc.	
5694540	6062068	272	5090359	7400632	216	5100799	7404750	178	5102595	7405200	47	5109969	7406948	148
5694571	6062114	272	5090366	7400636	217	5100843	7404758	178	5102601	7405204	48	5109976	7406952	148
5694588	6062122	273	5090397	7400640	218	5100850	7404762	178	6028733	7405299	82			
5694595	6062132	273	5090403	7400644	216	5100867	7404766	178	5103080	7405308	48	5110446	7407076	234
			5090410	7400648	217	5100904	7404770	178	5103110	7405312	49	5110453	7407080	277
	/pc.		5090427	7400652	218	5100911	7404774	178	5103127	7405316	49	5110736	7407152	234
5694724	6067970	272	5090458	7400656	216	5100966	7404782	178	5883616	7405321	53	5110743	7407156	234
			5090465	7400660	217	5100973	7404786	178	5883623	7405322	53	5110798	7407160	234
5809111	6288532	168	5090472	7400664	218	5100980	7404790	178	5883630	7405323	54	5110804	7407164	234
6789146	6288608	169	5432845	7400960	219	5101024	7404794	178	6028740	7405371	83	5110811	7407168	234
	/pc.		5432883	7400962	219				5103684	7405436	65	5110828	7407172	234
6555543	6288635	169	5432890	7400964	219	5101031	7404806	184	5103721	7405440	65	5110842	7407180	234
			5432906	7400966	219				5103738	7405444	66	5110859	7407184	80
6692446	7368324	13	5432944	7400968	219	5101048	7404810	184	5103783	7405452	66	5110880	7407196	80
6692453	7368326	13	5432951	7400970	219				5103790	7405456	67	5110910	7407208	80
6692484	7368340	14	5432968	7400972	219	5101086	7404814	184	5103806	7405460	67	5110958	7407216	80
6692491	7368342	15	5433002	7400974	219	5101093	7404816	184	5840718	7405465	71	5112280	7407536	80
6692507	7368346	14	5433019	7400976	219	5101109	7404820	184	5840725	7405466	71			
	/pc.		5433026	7400980	219	5101147	7404824	184	5840763	7405467	72	5703556	7407552	81
6591824	7368410	17							5104094	7405512	69	5891161	7407559	81
6692521	7368418	15	6539000	7401404	145	5101154	7404828	182	5104100	7405516	70	5891178	7407561	81
6692538	7368470	15	6539017	7401406	145	5101208	7404836	182	5104148	7405520	70			
6692545	7368472	15	6539024	7401408	145	5101215	7404840	182	5104162	7405528	68	5112433	7407580	164
6692552	7368474	16	6539031	7401410	146	5101260	7404848	182	5104209	7405532	68	5112440	7407584	163
6692569	7368476	16	6539048	7401412	145	5101277	7404852	182	5104216	7405536	69	5112457	7407588	164
6692590	7368478	16	6539055	7401414	146	5101321	7404860	182	5104261	7405544	83	5112464	7407592	164
	/pc.		6539062	7401416	146	5101338	7404864	178	5104445	7405580	84	6552948	7407643	170
6020652	7368593	148	5093510	7401870	276	5101383	7404870	178	6581634	7405743	85	6552962	7407651	160
			5093602	7401898	276				5866985	7405746	84	6552979	7407655	160
6331734	7399850	202	5093640	7401904	276	5101390	7404874	177	5866992	7405750	84	5872597	7407843	18
6331741	7399852	202	5093664	7401912	276	5101444	7404882	177	5867005	7405754	84	6481866	7407851	163
6331772	7399856	202	5093701	7401920	276									
6331789	7399858	203				5101451	7404886	181	5891185	7405814	288	5114055	7408084	185
6331796	7399870	205	5093817	7401960	274	5101505	7404894	181	5891215	7405815	288	5114062	7408088	197
6331802	7399872	205	5093886	7401980	274	5101512	7404898	181	5891222	7405816	288	5114109	7408096	188
6331833	7399890	204	5093909	7401988	274	5101529	7404902	181	5891239	7405817	288	5114116	7408100	188
6331840	7399892	204	5093930	7401992	274	5101567	7404906	181	5891246	7405818	288	5114154	7408108	190
6331857	7399896	204	5093947	7401996	274	5101574	7404910	181	5891253	7405819	288	5114178	7408116	190
6331864	7399898	204				5101581	7404914	181				5114215	7408124	191
6331895	7399910	204	5093954	7401997	276	5101680	7404928	181	5105824	7405892	134	5114239	7408132	191
6331901	7399912	204				5101697	7404932	181	5105831	7405896	134	5114277	7408140	191
6331918	7399920	204				5101703	7404936	181	5105848	7405900	134	5114291	7408148	193
6331925	7399923	204	5093992	7402000	274	5101741	7404940	181	5105886	7405908	134	5114338	7408156	193
6331956	7399926	204	5094005	7402004	274	5101758	7404944	181	5105893	7405912	135	5114352	7408164	193
6331963	7399929	204	5094012	7402008	274	5101765	7404948	181	5105909	7405916	135	5114390	7408172	195
	/pc.					5101819	7404956	183	5105930	7405920	135	5114413	7408180	195
5089254	7400300	210	5094067	7402040	275	5101864	7404964	183	5105954	7405928	135	5114437	7408188	195
5089261	7400304	212	5094081	7402048	275	5101888	7404972	180	5105961	7405932	134	5114451	7408196	195
5089278	7400308	214	5094128	7402056	275	5101925	7404976	180	5105992	7405936	134	5114536	7408204	192
5089285	7400312	210	5094142	7402064	275	5101932	7404980	180	5106005	7405940	134	5114543	7408208	196
5089315	7400316	212	5094173	7402068	276	5101949	7404984	180	5106029	7405948	134	5114604	7408220	190
5089322	7400320	214				5101987	7404988	180	5106050	7405952	135	5114659	7408228	190
5089339	7400324	211				5101994	7404992	181	5106067	7405956	135	5114703	7408236	194
5089346	7400328	213	5845942	7403811	286	5102007	7404996	181	5106074	7405960	135	5114727	7408244	195
5089377	7400332	215	5845935	7403816	284				5106111	7405968	135	5114772	7408252	194
5089384	7400336	211	5862079	7403818	285	5102052	7405004	181				5114826	7408260	192
5089391	7400340	213				5102069	7405008	181	5870265	7406672	59	5114840	7408268	193
5089407	7400344	215	5699569	7403820	287	5102106	7405012	181	5870272	7406674	59	5114895	7408276	193
	/pc.		5845973	7403826	286	5674436	7405037	60	5870289	7406676	60	5114901	7408280	196
5434856	7400431	233	5845980	7403831	286	5674443	7405039	61	5903277	7406701	56	5114956	7408288	187
5431220	7400455	230	5845997	7403836	287	5674450	7405047	78	5903284	7406702	56	5114963	7408292	187
5431251	7400459	230	5762768	7403841	289	5674467	7405049	78	5903291	7406703	57	5115007	7408296	197
5431268	7400463	230	5762775	7403843	289	6460496	7405077	50	5901129	7406749	57	5115014	7408300	187
5431275	7400467	230	5699637	7403845	288	6460502	7405079	50	5901136	7406750	58	5115021	7408304	187

GTIN	Item no.	Page	GTIN	Item no.	Page	GTIN	Item no.	Page	GTIN	Item no.	Page	GTIN	Item no.	Page
	/pc.			/pc.			price/pac			price/m			/pc.	
5115984	7408494	188	5868484	7409130	102	6539109	7409686	147	5243175	7424046	243	5651574	7424821	278
5116028	7408498	188	5868507	7409134	110	6539116	7409688	147	5243182	7424048	243		price/m	
5116639	7408626	149	5868552	7409140	124				5243229	7424060	244	5245100	7424822	280
5116646	7408630	280	5868606	7409144	122				5243236	7424062	244		/pc.	
5116677	7408634	281	5868620	7409150	116	5430964	7410030	220	5243243	7424064	244	5245117	7424840	279
5116745	7408650	163	5868675	7409154	123	5475507	7410031	228	5243274	7424066	244	5245124	7424842	279
5674498	7408670	166	5868729	7409158	118	5431633	7410034	222	5243281	7424068	244	5245131	7424844	279
5674504	7408672	166	5868743	7409160	118	5475545	7410035	229	5243458	7424120	245	5245148	7424846	279
5674511	7408680	167	5867111	7409204	95	5431640	7410043	220	5243465	7424122	245	5245155	7424884	270
5674528	7408682	167	5867128	7409208	92	5431671	7410047	223	5243519	7424140	246	5245179	7424900	268
5763000	7408697	167	5867166	7409210	92	5431688	7410052	221	5243526	7424142	246	5245186	7424902	269
5759393	7408698	166	5867180	7409214	96	5431695	7410056	223	5243571	7424162	247	5245193	7424904	271
56933468	7408701	167	5867227	7409218	93	5678724	7410060	227	5243601	7424182	248	5245216	7424920	268
5693475	7408703	168	5867234	7409220	93	5678762	7410062	227	5243656	7424200	249	5245223	7424922	269
5693482	7408705	168	5867258	7409224	112	5678779	7410064	228	5243663	7424202	249	5245230	7424924	270
5693499	7408707	168	5867265	7409228	109	5431701	7410079	221	5243670	7424204	249	5245254	7424940	274
6435272	7408721	159	5867272	7409230	109	5431732	7410083	221	5243687	7424220	250	5245261	7424942	274
6435289	7408723	159	5867296	7409234	113	5431749	7410087	221	5243694	7424222	250	5246428	7424944	274
6435258	7408725	159	5867302	7409238	111	5431756	7410091	222	5243700	7424224	250	5245278	7424960	274
6435265	7408727	159	5867333	7409240	111	5431763	7410104	224	5243755	7424246	251	5245285	7424962	274
6435296	7408743	160	5867364	7409254	104	5431770	7410108	224		/pc.		5245292	7424964	274
6435302	7408745	160	5867395	7409258	99	5431787	7410112	224	5243816	7424280	273	5245308	7424980	274
6435319	7408751	161	5867401	7409260	99	5431794	7410116	224	5243823	7424282	273	5245315	7424982	274
6435326	7408753	161	5867456	7409264	105	5431800	7410120	224	5243830	7424284	273	5245322	7424984	274
6435333	7408761	162	5867487	7409270	100	5431817	7410124	224	5243847	7424286	273	5245339	7424990	272
6435340	7408763	162	5867579	7409274	106	5431824	7410142	235	5243878	7424288	273	5245346	7424992	272
6435357	7408771	161	5867586	7409278	102	5431855	7410146	235	5243885	7424300	273			
6435364	7408773	161	5867609	7409280	102	5438595	7410148	235	5243892	7424302	273	5245353	7425006	276
6435371	7408781	161	5867661	7409284	121	5431862	7410150	235	5243908	7424304	273	5245360	7425008	276
6435388	7408783	162	5867678	7409288	115	5431879	7410154	235	5243939	7424306	273	5245377	7425020	277
6435395	7408785	162	5867685	7409290	115	5438601	7410156	235	5243946	7424308	273	5254744	7425022	277
6483969	7408789	162	5867708	7409294	122	5473275	7410158	235	5243953	7424320	264	5254751	7425024	277
6435401	7408794	163	5867739	7409300	116	5431886	7410160	236	5243960	7424322	265	5245384	7425026	277
6435418	7408796	163	5867753	7409304	123	5473282	7410162	235	5243991	7424324	266	5245391	7425028	277
6460670	7408802	36	5867760	7409308	118	5473299	7410164	236	5244004	7424326	267	5245407	7425046	276
6460687	7408804	36	5867784	7409310	118	5473305	7410166	236	5244011	7424340	264	5245414	7425048	276
6460724	7408806	36	5869023	7409362	93	5432753	7410540	125	5244028	7424342	265	5245421	7425064	275
6460731	7408808	36	5869030	7409364	93	5432760	7410544	125	5244059	7424344	266	5245438	7425066	275
6460748	7408810	36	5869047	7409368	94	5432777	7410552	126	5244066	7424346	267	5245469	7425102	275
6460601	7408832	35	5869085	7409370	94	5432784	7410556	126	5244073	7424360	272	5245476	7425104	275
6460618	7408834	35	5869092	7409372	110		price/pac		5244080	7424362	272	5245483	7425122	276
6460663	7408838	35	5869108	7409374	110	6540914	7410581	147	5244110	7424364	272	5245490	7425124	276
6459278	7408850	27	5869146	7409378	111	6540921	7410583	147		price/m		5245506	7425140	280
6459285	7408852	27	5869153	7409380	111	6540938	7410585	147	5244127	7424400	252	5245513	7425300	278
6459292	7408854	27	5869160	7409382	139	6540945	7410587	147	5244134	7424402	252	5245520	7425310	278
6459315	7408856	27	5869207	7409384	139	6540952	7410589	147	5244141	7424404	252	5245537	7425320	278
6458981	7408860	28	5869214	7409388	140				5244172	7424406	252	5434757	7425970	279
6459049	7408862	28	5869221	7409390	140				5244189	7424408	252	5434764	7425972	279
6459063	7408864	28	5869450	7409422	98	5651291	7423950	277	5244196	7424420	253	5434795	7425974	279
6459124	7408866	29	5869467	7409424	98	5651307	7423952	277	5244202	7424422	253			
6460786	7408870	30	5869511	7409428	101	5651314	7423954	277	5244233	7424424	253	6591848	7427095	18
6460793	7408872	30	5869528	7409430	103	5651321	7423956	277	5244240	7424426	253	5916383	7427200	21
6460809	7408874	30	5869566	7409432	103	5651338	7423958	277	5244257	7424428	253	5916420	7427204	23
6460830	7408876	31	5869573	7409442	114	5651345	7423960	277	5244264	7424440	254	5916550	7427232	21
			5869580	7409444	114	5651352	7423962	277	5244295	7424442	254	5916567	7427236	24
5867425	7409004	95	5869634	7409448	117	5651369	7423964	277	5244301	7424444	254	5916727	7427300	22
5867463	7409008	139	5869641	7409450	119	5651406	7423966	277	5244318	7424446	254	5916734	7427304	24
5867524	7409010	139	5869689	7409452	119	5651413	7423968	277	5244325	7424448	254	5916789	7427324	22
5867531	7409014	92	5869696	7409462	142	5651420	7423970	278	5244356	7424460	255	5916796	7427328	25
5867548	7409016	92	5869702	7409464	142	5651581	7423972	278	5244363	7424462	255	5919308	7427440	23
5867647	7409024	96	5869757	7409468	143	5651451	7423974	278	5244370	7424464	255	5919315	7427444	23
5867654	7409028	140	5869764	7409470	144									

OBO Bettermann Holding GmbH Co. KG

P.O. Box 1120
58694 Menden, Germany

Customer Service

Tel.: +49 23 73 89 - 17 00
Fax: +49 23 73 89 - 12 38
export@obo.de

www.obo-bettermann.com

Building Connections

