

Technical data sheet

Junction box T 25, plug-in seal

Art.-Nr. 2007029



All the T series junction boxes are UV-resistant. They are made of a thermoplastic polypropylene plastic with plug-in seals made of ethylene vinyl acetate (EVA). This plastic is soft, which means that it is malleable. This allows installation of cables either directly through the 4 x M25 seals, or the seals can be cut with a knife at the pre-marked points, in order to create an insertion opening for cables or pipes. In addition, cable glands can be pushed through the openings instead of the seals and locked with a locknut from the inside.

The cable junction boxes can be screwed onto an M6 thread or be mounted on mounting plates in the openings on the floor using steel screws 3.5 x 9.5.

Clear internal dimensions: Ø63x45 mm

Cover with labelling panel



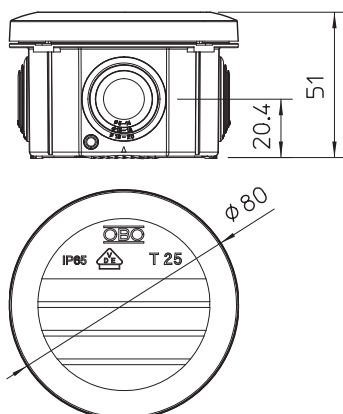
PP Polypropylene

Additional product text, instruction	Standard version: flame-resistant, testing temperature 650 °C. F version: highly flame-resistant, testing temperature 960 °C.
Additional product text 2	Clear internal dimensions: Ø63x45 mm
Additional product text 3	Protection rating IP65; Protection rating IK code IK07.

Master data

Item no.	2007029
Type	T 25
Description 1	Junction box
Description 2	with entries
Dimension	Ø80x51
Colour	Light grey
RAL number	7035
Material	Polypropylene
Material symbol	PP
Smallest sales unit	5,00 Piece
Weight	4,19 kg/100 pc.

Technical data



Height	51,00 mm
Diameter	80,00 mm
Clear internal dimensions	Ø63x45 mm
Dimension LxWxH	xx51 mm
Dimension	Ø80x51 mm
Expandable	<input checked="" type="checkbox"/>
No. of entries	4,00
Type of entry	Cable
Type of entry	Plug-in seal
Type of housing penetration	Cutttable stepped membrane
Version	Standard
Appendix document	634451 (tserie.pdf); 634124 (harte_typen.pdf)
Measured insulation voltage Vi	500,00 V
Cover	Not transparent
Cover fastening	Locking
Entries	4 x M25
Entry from rear	<input checked="" type="checkbox"/>
Explosion-tested version	<input type="checkbox"/>

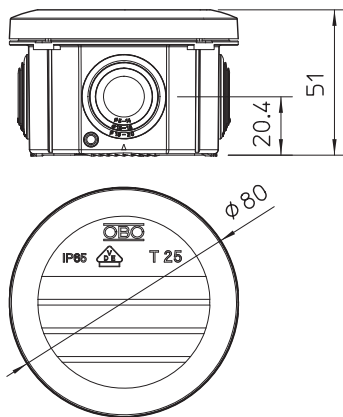
Technical data sheet

Junction box T 25, plug-in seal

Art.-Nr. 2007029



Technical data



Flame resistant	Flame resistant to VDE 0471/DIN 695 Part 2-1, test temperature 650 °C
Shape	Round
Function maintenance (ETIM)	Without
For Ex zone	Without
For Ex zone gas	Without
For Ex zone dust	Without
Fibre-glass reinforced	<input type="checkbox"/>
Halogen-free	<input checked="" type="checkbox"/>
With screening	<input type="checkbox"/>
with lid	With locking lid
With cover	<input checked="" type="checkbox"/>
Installation type	Wall/ceiling mounting
Mounting type	Wall/ceiling mounting
Nominal cross section	2,50 mm ²
Nominal voltage	500,00 V
Protection rating	IP65
Protection rating	IP65
Protection rating IK code	IK07.
Sealable	<input type="checkbox"/>
max. permitted ambient temperature	-5,00 - 60,00 °C
Transparent lid	<input type="checkbox"/>
Weatherproof	<input type="checkbox"/>