

Cable junction boxes for "offshore applications"

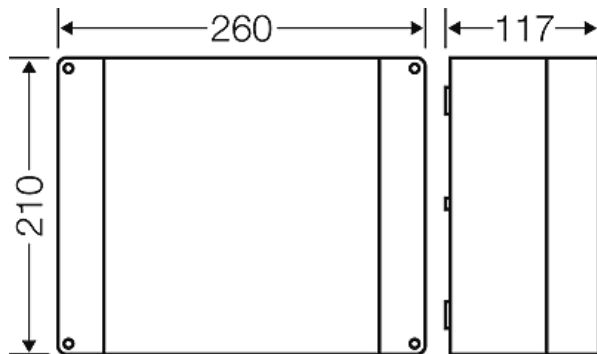


- without terminals
- cable entry via knockouts, order ASS separately (refer to index cable entry systems)
- "Offshore applications"
- saltwater-proof
- acid-resistant lid screws made of stainless steel
- burning behaviour 960° C; UL Subject 94: 5 V
- colour: black, RAL 9011

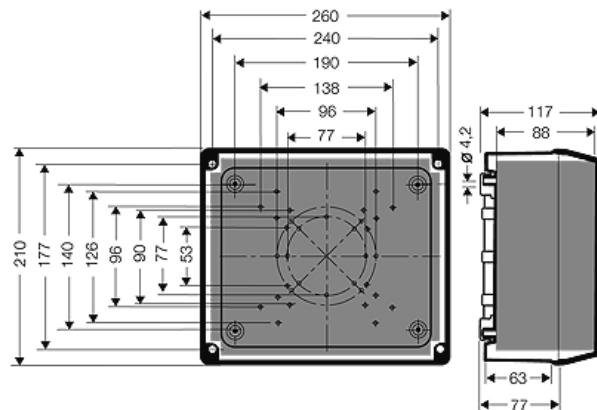
Degree of protection:	IP 66 / IP 67 temporary submersion up to 1 meter, max. 15 minutes
Material:	impact-resistant PC 5 polycarbonate
mounting width	177 mm
mounting height	240 mm
max. installation depth	88 mm
width	210 mm
height:	260 mm
depth	117 mm
Weight	1,144 kg

Drawings

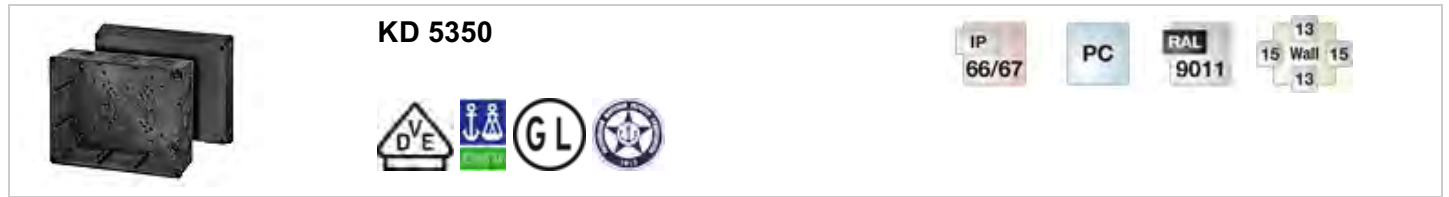
Dimension drawing



Detail mass



Cable junction boxes for "offshore applications"



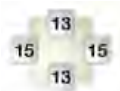
KD 5350

IP 66/67

PC

RAL 9011

13 Wall 15



box walls

1 x M 20/25
2 x M 40/50

2 x M 25/32
1 x M 40/50

Operating and ambient conditions

Application area	Suitable for use in offshore areas and for indoor installation (normal environment and /or protected outdoor) and outdoor installation (harsh environment and /or outdoor) in accordance with DIN VDE 0100, Part 737
Resistant to occasional cleaning procedures (direct jet)	Resistant to occasional cleaning procedures (direct jet) with high-pressure cleaner without additives, water pressure: max. 100 bar, water temperature: max. 80° C, distance => 0,15 m, in accordance with the requirements IP 69K, enclosure and cable glands at least IP 65
Ambient temperature	Average value over 24 hours + 55° C Maximum value + 70° C Minimum value - 25° C
Fire protection in the event of internal faults	Demands placed on electrical devices from standards and laws Minimum requirements - Glow wire test in accordance with IEC 60 695-2-11: - 650°C for boxes and cable glands - 850°C for parts of insulating material necessary to retain current carrying parts in position
Fire protection in the event of specific risks or hazards	Demands placed on electrical installations and devices in areas and facilities subject to fire risk, e.g. DIN VDE 0100 Part 482, official regulations, VdS directives Minimum requirements - Glow wire test to IEC 60 695-2-11: - 850°C for boxes and cable glands - 850°C for cavity wall installation - Use of fire resistant cables
Burning behaviour	Glow wire test IEC 60 695-2-11: 960° C UL Subject 94: 5 V flame resistant self-extinguishing
Degree of protection against mechanical load	IK08 (5 Joule)
Toxic behaviour	halogen-free silicone-free "halogen-free" in accordance with the examination of the cables and insulated wires - corrosiveness of fumes - as per IEC 754-2
Note:	To material properties see technical data.