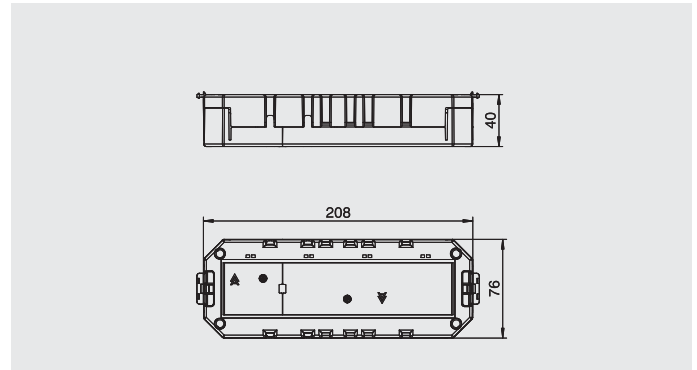


UFS Standard device installation

Module support with protective housing for Modul 45® devices, system length 208 mm

Type : MT4/45/3-1

PA Polyamide



Type	Pack.	Weight		Item No.
		pcs	kg/100 pcs.	
MT4 45 3-1	6	11,600	7429 13 5	
MT4 45 2-2	6	11,600	7429 13 9	

PA Polyamide /pc.

For the installation of up to 4 accessories of type Modul 45 in flush-mount units. Installation instead of a GB3 mounting box. The module support is closed in a downwards direction by two protective housings with a division 3+1 or 2+2. The scope of supply contains two strain reliefs and one separating retainer.