

Technical data sheet

Hinged lid with locking slider, nickel

Art.-Nr. 7408850



Hinged cover with locking slider for GES R2 floor socket for direct installation in the MT R2 installation socket.
When closed, the floor socket can be wet-cleaned.

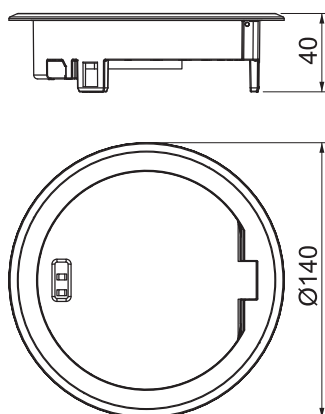


Zn Die-cast zinc
N Nickel-plated

Master data

Item no.	7408850
Type	GES R2 Ni
Description 1	Hinged lid
Description 2	with hinged cover
Material	Die-cast zinc
Material symbol	Zn
Surface	Nickel-plated
Surface symbol	N
Smallest sales unit	1,00 Piece
Weight	58,50 kg/100 pc.

Technical data



External diameter	140,00 mm
Floor covering protection frame	<input checked="" type="checkbox"/>
Floor care	Wet
Version for	Round
Installation depth	85,00 mm
Suitable for wet care	<input checked="" type="checkbox"/>
Suitable for raised floor installation	<input checked="" type="checkbox"/>
Suitable for cavity floor installation	<input checked="" type="checkbox"/>
Suitable for underfloor ducts	<input type="checkbox"/>
With floor covering recess	<input type="checkbox"/>
Standard	EN 50085-2-2
Protection rating (IP) when used	IP20
Protection rating (IP) when unused	IP66
Protection rating IK code	IK10
Approvals	VDE