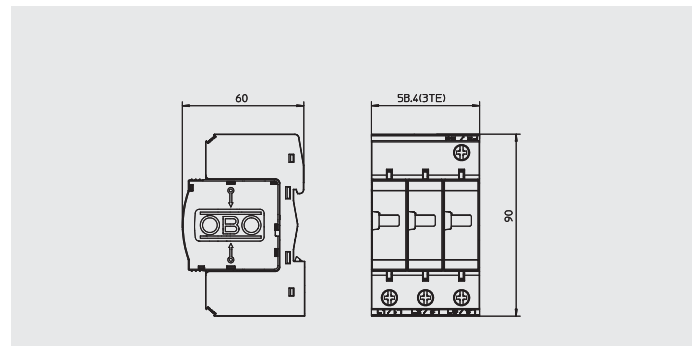


TBS Surge protection, arrester, type 2

Surge arrester, 3-pole

Type : V 20-C/...-280 Multibase



Type	Highest continuous voltage V	Protection rating	Pack. pcs	Item No.
V20-C 3-280	280	IP20	1	5094 62 4

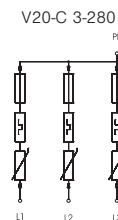
/pc.

Surge arrester, type 2, 280 V

- VDE-tested
- For surge voltage protection equipotential bonding to VDE 0100-443 (IEC 60364-4-44)
- Arresting capacity to 40 kA (8/20) per pin
- Arrester, connectable with dynamic cut-off unit and visual function display
- High-performance varistor technology

Application: Equipotential bonding (LPZ 1 to 2) in main and subdistributors.

* Complete = cover and base



Nominal voltage	U_N	V	230
SPD to EN 61643-11			Type 2
SPD to IEC 61643-11			class II
Lightning protection Zone LPZ			1-2
Nominal discharge current (8/20)	I_n	kA	20
Arrester surge current (8/20) [total]	I_{Total}	kA	60
Maximum discharge current	I_{max}	kA	40
Voltage protection level	U_p	kV	< 1,3
Response time	t_A	ns	< 25
Maximum back-up fuse		A	125
Temperature range	ϑ	°C	-40 - +80
Division unit TE (17.5 mm)			3
Protection rating			IP20
Connection cross-section, rigid		mm ²	2,5 - 35
Connection cross-section, multi-wire		mm ²	2,5 - 35
Connection cross-section, flexible		mm ²	2,5 - 25
Item No.			5094 62 4