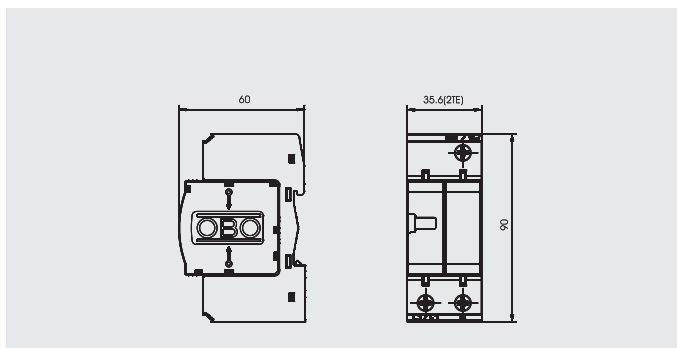


## TBS Surge protection, arrester, type 2

### Surge arrester, 1-pole + NPE

#### Type : V 20-C/...+NPE-280 Multibase



Type	Highest continuous voltage V	Protection rating	Pack. pcs	Item No.
V20-C 1+NPE-280	280	IP20	1	5094 65 0

/pc.

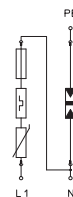
V 20-C/...: Surge protection device Type 2 (Class C) to VDE 0675 part 6-11 (DIN EN 61643-11).

- With new MultiBase base part and Multi-connection clamps
- Complete unit consisting of upper part and base, pre-mounted and ready for connection
- VDE-tested
- Suitable for TN- and TT network systems
- Plug-in upper part; upper part can be separated from base without tools
- Including thermal and dynamic separating device
- With visual display of defects
- High current conductivity and long service life
- Marked connections

Application example: residential buildings, single-family homes without outer lightning protection system.

\* Complete = cover and base

V20-C 1+NPE-280



Nominal voltage	$U_N$	V	230
SPD to EN 61643-11			Type 2
SPD to IEC 61643-11			class II
Lightning protection Zone LPZ			1→2
Nominal discharge current (8/20)	$I_n$	kA	20
Arrester surge current (8/20) [total]	$I_{Total}$	kA	40
Maximum discharge current	$I_{max}$	kA	40
Voltage protection level	$U_p$	kV	< 1,3
Response time	$t_A$	ns	< 25
Maximum back-up fuse		A	125
Temperature range	$\vartheta$	°C	-40 - +80
Division unit TE (17.5 mm)			2
Protection rating			IP20
Connection cross-section, rigid		mm <sup>2</sup>	2,5 - 35
Connection cross-section, multi-wire		mm <sup>2</sup>	2,5 - 35
Connection cross-section, flexible		mm <sup>2</sup>	2,5 - 25
<b>Item No.</b>			<b>5094 65 0</b>