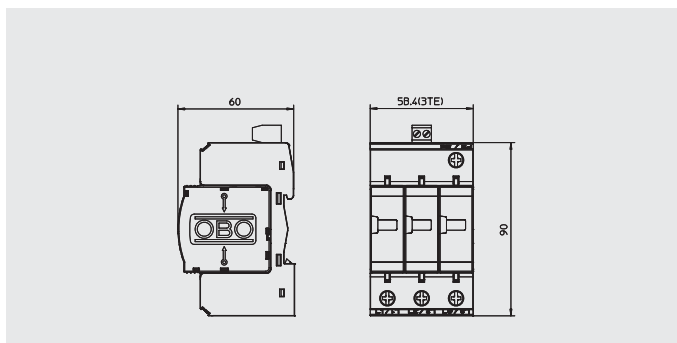


TBS Surge protection, arrester, type 2

Surge arrester, 3-pole with remote signalling

Type : V 20-C/...+FS-280 Multibase



Type	Highest continuous voltage V	Protection rating	Pack. pcs	Item No.
V20-C 3+FS-280	280	IP20	1	5094 73 1

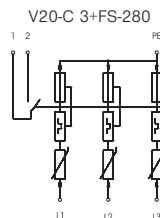
/pc.

V 20-C/...: Surge protection device Type 2 Class C) to VDE 0675 part 6-11 (DIN EN 61643-11).

- With new MultiBase base part and Multi-connection clamps
- Complete unit consisting of upper part and base, pre-mounted and ready for connection
- VDE-tested
- Suitable for TN network systems
- Plug-in upper part; upper part can be separated from base without tools
- With remote signalling, potential-free changeover contact, for function monitoring
- Including thermal and dynamic separating device
- With visual display of defects
- High current conductivity and long service life
- Marked connections

Application example: residential buildings, single-family homes

* Complete = cover and base



Nominal voltage	U_N	V	230
SPD to EN 61643-11			Type 2
SPD to IEC 61643-11			class II
Lightning protection Zone LPZ			1→2
Nominal discharge current (8/20)	I_n	kA	20
Arrester surge current (8/20) [total]	I_{Total}	kA	60
Maximum discharge current	I_{max}	kA	40
Voltage protection level	U_p	kV	< 1,3
Response time	t_A	ns	< 25
Maximum back-up fuse		A	125
Temperature range	θ	°C	-40 - +80
Division unit TE (17.5 mm)			3
Protection rating			IP20
Connection cross-section, rigid		mm ²	2,5 - 35
Connection cross-section, multi-wire		mm ²	2,5 - 35
Connection cross-section, flexible		mm ²	2,5 - 25
Item No.			5094 73 1