

# Technical data sheet

## Combination arrester C25, 1-pole+NPE

Item no. 5095606



Plug-in total discharge gap for use between neutral lines (N) and protector (PE) Suitable for use in combination with:

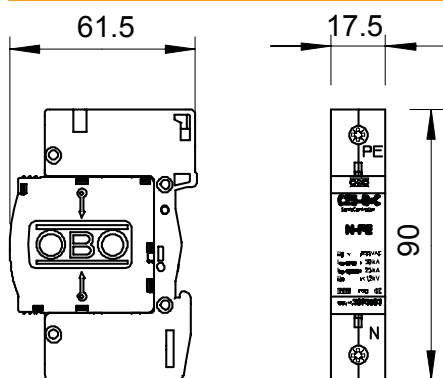
- CombiController type V 25-B+C
- SurgeController type V 20-C



Additional product text 1

\* Complete = Plug-in arrester and base

### Dimensions



### Master data

Item no.	5095606
Type	C 25-B+C 1
Description 1	NPE discharge gap
Description 2	including bottom part
Dimension	255V
Smallest sales unit (VG)	1,00 Piece
Weight	12,50 kg/100 pc.

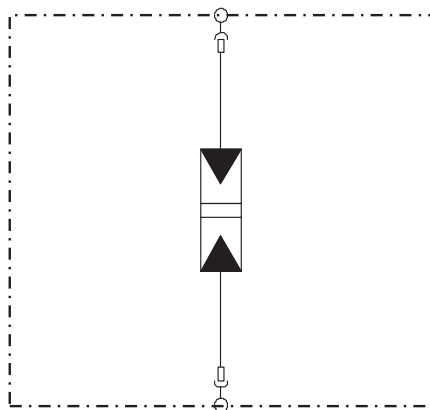
# Technical data sheet

## Combination arrester C25, 1-pole+NPE

Item no. 5095606



### Technical data



SPD to EN 61643-11	Type 1+2
SPD to IEC 61643-11	Class I+II
Test class, type 2	<input checked="" type="checkbox"/>
Nominal voltage	230,00 V
Maximum continuous voltage AC	255,00 V
Max. continuous operating voltage	255,00 V
Nominal discharge current (8/20)	30 kA
Nominal discharge current (8/20 µs) [N-PE]	30,00 kA
Maximum discharge current (8/20 µs)	50,00 kA
Impulse discharge current (10/350)	25,00 kA
Lightning impulse current (10/350) (N-PE)	25,00 kA
Lightning surge current (10/350)	25,00 kA
Arrester surge current (8/20) [total]	30,00 kA
Protection level	<1,2 kV
Follow current quenching capacity (eff) [N-PE]	0,10 kA
Response time	< 100 ns
Temperature range	-40-+80 °C
Pole version	N/PE
Version	1-pole complete; 255 V
Version	NPE
Protection rating	IP20
Protection rating	IP 20
Blow-out	<input type="checkbox"/>
Division unit TE (17.5 mm)	1
Remote signalling	<input type="checkbox"/>
Telecommunications contact	<input type="checkbox"/>
Connection cross-section, flexible	2,50 - 25,00 mm <sup>2</sup>
Connection cross-section, rigid	2,50 - 35,00 mm <sup>2</sup>
Connection cross-section, multiwire	2,50 - 35,00 mm <sup>2</sup>
Signalling on device	None