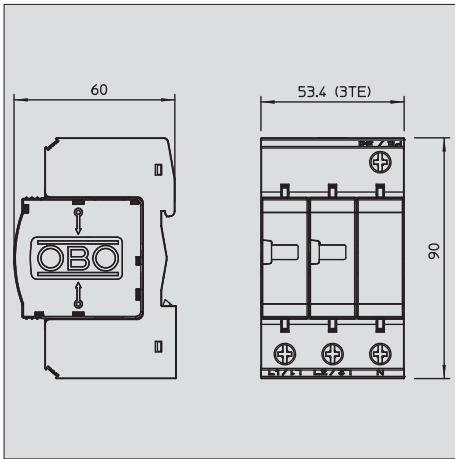


Lightning current and surge arrester, 2-pole + NPE



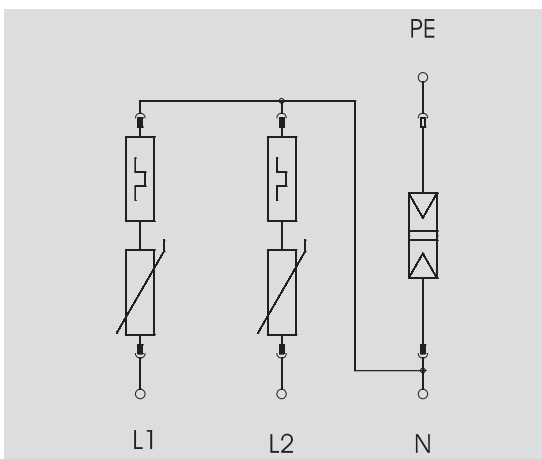
Combination arrester set, lightning and surge arrester type 1+2 to DIN EN 61643-11 (B+C to VDE 0675 part 6).

- For lightning protection equipotential bonding to VDE 0185-305 (IEC 62305)
- Lightning current arresting capacity 12.5 kA (10/350) per pole and 50 kA (10/350) in total
- Universally suitable for TN and TT systems
- With new MultiBase base with multi-connection terminals
- Complete unit, consisting of cover and base, pre-mounted and ready for connection
- arrester, connectable with dynamic cut-off unit
- With visual function display
- Voltage protection level < 1,3 kV
- Encapsulated, non-extinguishing zinc oxide varistor arrester for use in distributor housings
- Labelled connections

Application: Equipotential bonding in buildings, even those with external lightning protection of class III and IV, and in standard distributor housings.

* Complete = cover and base

Type	Highest continuous voltage V	Version	Pack. pcs	Weight kg/100 pcs.	Item No.
V50-B+C 2+NPE	280	2+NPE	1	32,000	5093 65 5



Nominal voltage	U_N	V	230,00
SPD to EN 61643-11			Type 1+2
SPD to IEC 61643-11			class I+II
Lightning protection zone LPZ			0→2
Impulse discharge current (10/350)	I_{imp}	kA	12,50
Total discharge current (10/350)	I_{total}	kA	25,00
Nominal discharge current (8/20)	I_n	kA	30
Arrester surge current (8/20) [total]	$I_{Total 8/20}$	kA	50,00
Maximum discharge current (8/20 μ s)	I_{max}	kA	50,00
Voltage protection level	U_p	kV	< 1,3
Response time	t_A	ns	<25
Maximum back-up fuse		A	125,00
Temperature range	θ	°C	-40+80
Division unit TE (17.5 mm)			3
Protection rating			IP20
Connection cross-section, rigid		mm ²	2,50-35,00
Connection cross-section, multi-wire		mm ²	2,50-35,00
Connection cross-section, flexible		mm ²	2,50-25,00
Item No.			5093 65 5