

# Technical data sheet

## Lightning current and surge arrester, 4-pole

Item no. 5093631



Combination arrester, lightning and surge arrester type 1+2 to DIN EN 61643-11.

- For lightning protection equipotential bonding to VDE 0185-305 (IEC 62305)
- Lightning current arresting capacity 12.5 kA (10/350) per pole
- For TN-C systems
- With new Multibase base with multi-connection terminals
- Complete unit, consisting of upper part and base, pre-mounted and ready for connection
- Plug-in arrester with dynamic cut-off unit
- With visual function display
- Protection level < 1.3 kV
- Encapsulated, non-extinguishing zinc oxide varistor arrester for use in distributor housings
- Labelled connections

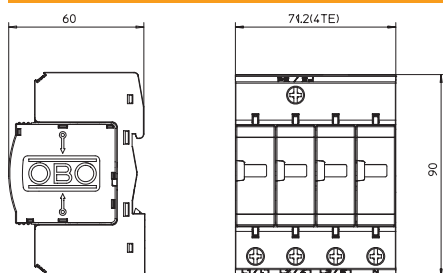
Application: Lightning protection equipotential bonding in buildings, even those with external lightning protection of Class III and IV, and in standard distributor housings.



Additional product text 1

\* Complete = Plug-in arrester and base

### Dimensions



### Master data

|                          |                     |
|--------------------------|---------------------|
| Item no.                 | 5093631             |
| Type                     | V50-B+C 4           |
| Description 1            | CombiController V50 |
| Description 2            | 4-pole version      |
| Dimension                | 280V                |
| Smallest sales unit (VG) | 1,00 Piece          |
| Weight                   | 53,00 kg/100 pc.    |

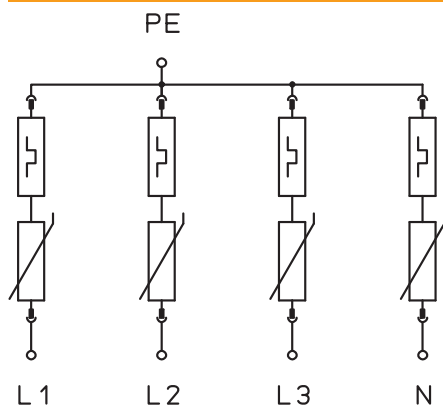
# Technical data sheet

## Lightning current and surge arrester, 4-pole

Item no. 5093631



### Technical data



|   |                              |
|---|------------------------------|
| SPD to EN 61643-11                                      | Type 1+2                     |
| SPD to IEC 61643-11                                     | Class I+II                   |
| Nominal voltage   | 230,00 V                     |
| Maximum continuous voltage AC                           | 280,00 V                     |
| Max. continuous operating voltage                       | 280,00 V                     |
| Nominal discharge current (8/20)                        | 30 kA                        |
| Nominal discharge current (8/20 µs) [L-N]               | 30,00 kA                     |
| Maximum discharge current (8/20 µs)                     | 50,00 kA                     |
| Impulse discharge current (10/350)                      | 12,50 kA                     |
| Lightning impulse current (10/350) (L-N)                | 12,50 kA                     |
| Lightning surge current (10/350)                        | 50,00 kA                     |
| Arrester surge current (8/20) [total]                   | 120,00 kA                    |
| Protection level  | < 1,3 kV                     |
| Protection level (L-N)                                  | < 1,3 kV                     |
| Protection level (N-PE)                                 | < 1,5 kV                     |
| Response time   | <25 ns                       |
| Maximum back-up fuse                                    | 125,00 A                     |
| Temperature range                                       | -40-+80 °C                   |
| Pole version  | 4                            |
| Pole number   | 4,00                         |
| Version   | 4-pole                       |
| Version   | 4-pole                       |
| Mounting type   | Hat rail 35 mm               |
| Installation type                                       | DIN rail 35 mm               |
| Protection rating                                       | IP20                         |
| Protection rating                                       | IP 20                        |
| Blow-out  | <input type="checkbox"/>     |
| Size  | 4 part units                 |
| Division unit TE (17.5 mm)                              | 4                            |
| Remote signalling                                       | <input type="checkbox"/>     |
| Telecommunications contact                              | <input type="checkbox"/>     |
| Integrated back-up fuse                                 | <input type="checkbox"/>     |
| Max. cable cross-section flexible (fine-wire)           | 25,00 mm <sup>2</sup>        |
| Max. cable cross-section rigid (single wire/multi-wire) | 35,00 mm <sup>2</sup>        |
| Connection cross-section, flexible                      | 2,50 - 25,00 mm <sup>2</sup> |
| Connection cross-section, rigid                         | 2,50 - 35,00 mm <sup>2</sup> |
| Connection cross-section, multi-wire                    | 2,50 - 35,00 mm <sup>2</sup> |
| Signalling on device                                    | Visual                       |