

# Technical data sheet

## FineController FC-TV for video, TV and hi-fi systems

Item no. 5092808



Type 3 combined surge protection to EN 61643-11, designed for use on Schuko sockets and video, TV and hi-fi systems with IEC adapter.

- Adapter connector
- Cut-off unit and function display
- With increased contact protection
- Incl. 0.5 m connection cable in white (double-shielded)
- Maximum continuous voltage, TV connection 72 V DC / 1.5 A (25 °C)
- Limit frequency: type 2.5 GHz (75 Ohm system)

Note: The technical data in the table below refers to the power supply.



### Master data

Item no.	5092808
Type	FC-TV-D
Description 1	FineController
Description 2	including TV protection
Dimension	230V
Colour	Pure white
RAL number	9010
Smallest sales unit (VG)	1,00 Piece
Weight	17,00 kg/100 pc.

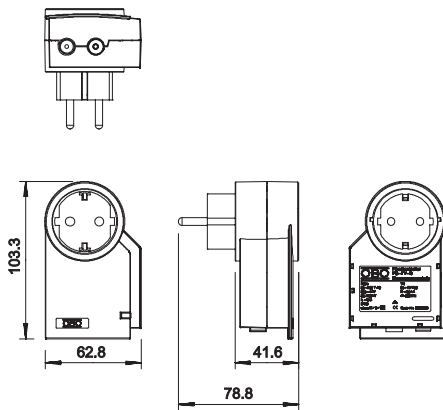
# Technical data sheet

## FineController FC-TV for video, TV and hi-fi systems

Item no. 5092808



### Technical data



SPD to EN 61643-11	Type 3
SPD to IEC 61643-11	Class III
Response time	<25 ns
Blow-out	<input type="checkbox"/>
Version	Schuko + TV
Telecommunications contact	<input type="checkbox"/>
Max. continuous operating voltage	275,00 V
Country-specific version	EN
Lightning protection zone LPZ	2→3
Nominal discharge current (8/20)	3 kA
Rated current	16,00 A
Nominal voltage	230,00 V
Installation type	Adapter
Maximum discharge current (8/20 μs)	8,00 kA
Maximum back-up fuse	16,00 A
With interference suppression filter	<input type="checkbox"/>
Test class, type 3	<input checked="" type="checkbox"/>
Frequency range	0-2400 MHz
Frequency range	0,00 - 2.400,00 MHz
Cut-off frequency	2.400,00 MHz
Protection rating	IP 20
Protection rating	IP20
Protection level	< 1,5 kV
Protection level (N-PE)	< 1,5 kV
Protection level (L-N)	< 1,2 kV
Protection level (L-N / L/N-PE)	<1200 / <1500 V
Signalling on device	Visual

### Technical data

