

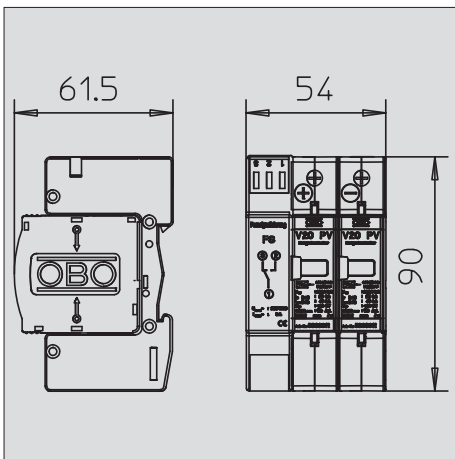
## Complete photovoltaic block V20, 1000 V DC with IR



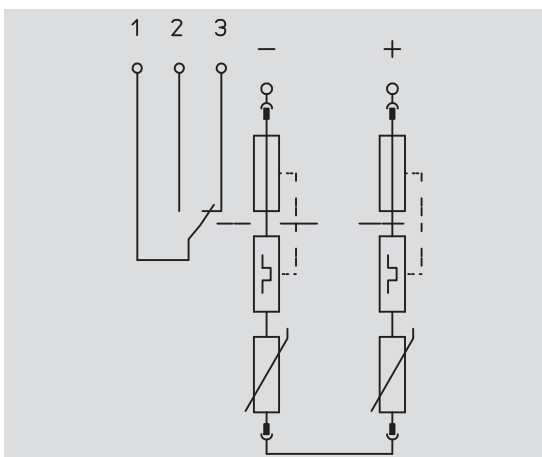
Surge arrester, Type 2, for photovoltaic systems

- Varistor arrester, plug-in with cut-off unit in error-resistant Y circuit according to VDE 0100-712 (50539-12)
- Surge protection equipotential bonding to VDE 0100-443 (IEC 60364-4-44)
- V20-C 3-PH-1000 tested to EN 50539-11 (VDE / KEMA)
- Arresting capacity to 40 kA (8/20) per pole
- Low DC protection level: < 4.0 kV and  $V_{oc\ max} = 1000\ V\ DC$
- With visual function display for use in distributor housings

Application: PV systems with or without isolated lightning protection system



Type	U max DC V	Version	Pack. pcs	Weight kg/100 pcs.	Item No.
V20-C 2PHFS-1000	1000	2-pole for earthed PV systems with FS	1	31,000	5094 61 5



U max DC	<b>U<sub>c</sub> DC</b>	V	1,000,00
SPD to EN 61643-11			Type 2
Lightning protection zone LPZ			1→2
Nominal discharge current (8/20)	<b>I<sub>n</sub></b>	kA	20
Maximum discharge current (8/20 μs)	<b>I<sub>max</sub></b>	kA	40,00
Voltage protection level	<b>U<sub>p</sub></b>	kV	< 4,0
Response time	<b>t<sub>A</sub></b>	ns	< 25
Temperature range	$\theta$	°C	-40+80
Protection rating			IP 20
Division unit TE (17.5 mm)			3
Connection cross-section, rigid		mm <sup>2</sup>	2,50-35,00
Connection cross-section, multi-wire		mm <sup>2</sup>	2,50-35,00
Connection cross-section, flexible		mm <sup>2</sup>	2,50-25,00

Item No.

5094 61 5