

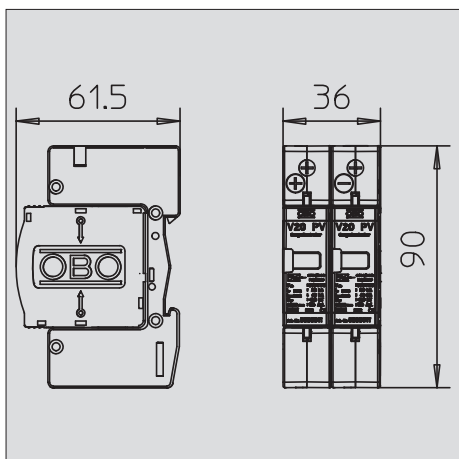
Complete photovoltaic block V20, 600 V DC



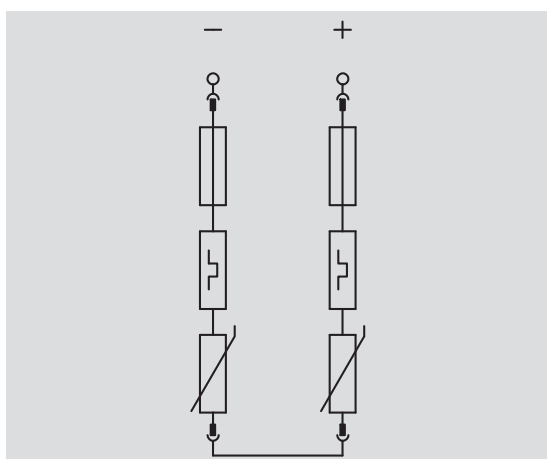
Surge arrester, Type 2, for photovoltaic systems

- Error-resistant Y circuit for use according to VDE 0100-712 (IEC 60364-7-712)
- For surge protection equipotential bonding to VDE 0100-443 (IEC 60364-4-44)
- Arresting capacity to 40 kA (8/20) per pole
- Low DC protection level: < 2.6 kV (Voc max = 600 V DC)
- Arrester, connectable with thermodynamic cut-off unit and visual function display
- Encapsulated, zinc oxide varistor arrester for use in distributor housings

Application: PV systems with or without separated insulated lightning protection system



Type	U max DC V	Version	Pack. pcs	Weight kg/100 pcs.	Item No.
V20-C 2PH-600	600	2-pole for earthed PV systems	1	25,000	5094 61 3



U max DC	U _c DC	V	600,00
SPD to EN 61643-11			Type 2
Lightning protection zone LPZ			1→2
Nominal discharge current (8/20)	I _n	kA	20
Maximum discharge current (8/20 μs)	I _{max}	kA	40,00
Voltage protection level	U _p	kV	< 2,6
Response time	t _A	ns	< 25
Temperature range	θ	°C	-40+80
Protection rating			IP 20
Division unit TE (17.5 mm)			2
Connection cross-section, rigid		mm ²	2,50-35,00
Connection cross-section, multi-wire		mm ²	2,50-35,00
Connection cross-section, flexible		mm ²	2,50-25,00

Item No.

5094 61 3