

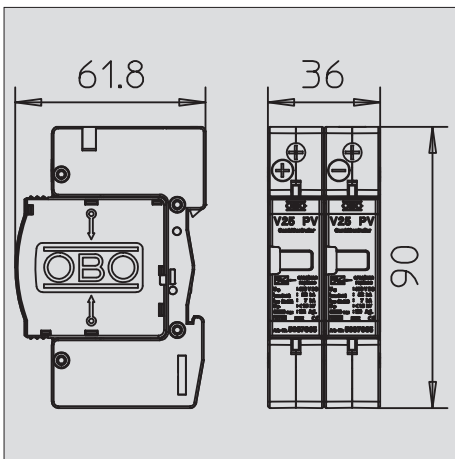
Complete photovoltaic block V25, 900 V DC



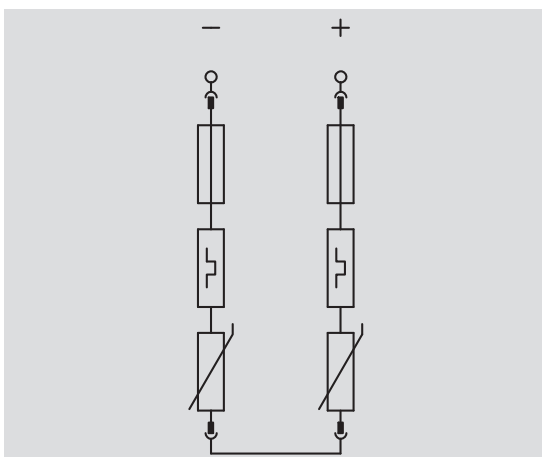
Combination arrester, Type 1+2, for photovoltaic systems

- Error-resistant Y circuit for use according to VDE 0100-712 (IEC 60364-7-712)
- For surge protection equipotential bonding to VDE 0100-443 (IEC 60364-4-44)
- Arresting capacity to 7 kA (10/350) and 50 kA (8/20) per pole
- Low DC protection level: < 3.0 kV and $V_{oc\ max} = 900\ V\ DC$
- Arrester, connectable with thermodynamic cut-off unit and visual function display
- Encapsulated zinc oxide varistor arrester for use in distributor housings

Application: PV systems with lightning protection system



Type	U max DC V	Version	Pack. pcs	Weight kg/100 pcs.	Item No.
V25-B+C 2-PH900	900	2-pole for earthed PV systems	1	30,800	5097 45 7



U max DC	U _c DC	V	900,00
SPD to EN 61643-11			Type 1+2
Lightning protection zone LPZ			0→2
Impulse discharge current (10/350)	I _{imp}	kA	7,00
Nominal discharge current (8/20)	I _n	kA	30
Maximum discharge current (8/20 μs)	I _{max}	kA	50,00
Voltage protection level	U _p	kV	< 3,0
Response time	t _A	ns	< 25
Temperature range	θ	°C	-40+80
Protection rating			IP 20
Division unit TE (17.5 mm)			2
Connection cross-section, rigid		mm ²	2,50-35,00
Connection cross-section, multi-wire		mm ²	2,50-35,00
Connection cross-section, flexible		mm ²	2,50-25,00

Item No.

5097 45 7