

# Technical data sheet

## Combination protection device TELE 4-C for ISDN

RJ11

Art.-Nr. 5081975



Data line protection device for analogue telecommunications systems

- In aluminium housing
- With 2-stage protection circuit
- Simple mounting
- Incl. 150 mm connection cable with RJ11 and/or RJ45 connectors
- Optimised bandwidth for TC systems
- DIN rail mounting with DLS-BS accessories (5082 38 2)

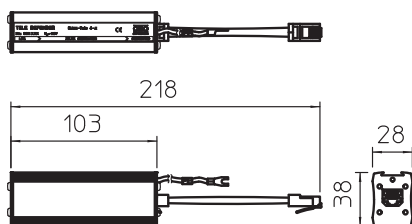
Application: For analogue telecommunication systems



Additional product text 1

- In aluminium housing
- Simple mounting on hat rail or on terminal
- Incl. 150 mm connection cable with RJ411 connectors
- Optimised bandwidth for telecommunications systems

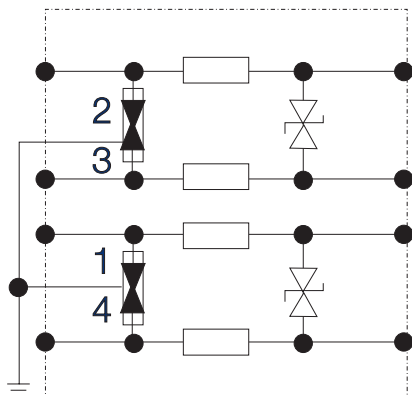
### Dimensions



### Master data

|                     |                                |
|---------------------|--------------------------------|
| Item no.            | 5081975                        |
| Type                | RJ11-TELE 4-C                  |
| Description 1       | Combined protective device     |
| Description 2       | for analogue telecommunication |
| Dimension           | 170V                           |
| Smallest sales unit | 1,00 Piece                     |
| Weight              | 14,00 kg/100 pc.               |

### Technical data



|                                  |                           |
|----------------------------------|---------------------------|
| Category                         | Type 1+2+3 / D1+C2+C1     |
| SPD to IEC 61643-21              | Class I+II+III / D1+C2+C1 |
| Version                          | Combi protection, 4 wires |
| Number of poles                  | 4,00                      |
| Insertion loss                   | ≤3 dB                     |
| Earthing via:                    | Connection cable          |
| Total discharge current (8/20)   | 4 kA                      |
| Total discharge current (10/350) | 1,5 kA                    |
| Frequency range                  | 0 - 12 MHz                |
| Frequency range                  | 0,00 - 12,00 MHz          |
| Cut-off frequency                | 12,00 MHz                 |
| Maximum continuous voltage AC    | 120,00 V                  |
| Maximum continuous voltage DC    | 170,00 V                  |
| Insulation resistance            | > 34 MΩ                   |
| Capacity (wire-wire)             | <500 pF                   |
| Capacity (wire-earth)            | <20 pF                    |

# Technical data sheet

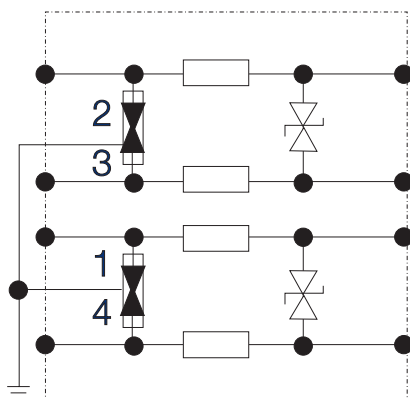
Combination protection device TELE 4-C for ISDN

RJ11

Art.-Nr. 5081975



## Technical data



|  |                          |
|--|--------------------------|
| Lightning protection zone LPZ                      | 0→3                      |
| Rated current                                      | 0,30 A                   |
| Nominal load current AC                            | 0,20 A                   |
| Nominal load current DC                            | 0,30 A                   |
| Installation type                                  | Connector/cable adapter  |
| Testing standard                                   | IEC 61643-21             |
| Protection rating                                  | IP40                     |
| Protection level wire-wire                         | <300 V                   |
| Protection level wire-earth                        | <600 V                   |
| Protection level, wire-earth at 1 kV/ $\mu$ s (C3) | <245 V                   |
| Series resistance per wire                         | 8,2 $\Omega$ $\pm$ 10 %  |
| Signalling on device                               | Without                  |
| Connection system                                  | RJ11                     |
| Impulse durability wire-wire                       | C1: 1 kV / 0,5 kA (8/20) |
| Impulse durability wire-earth                      | C2: 2 kV / 1 kA (8/20)   |
| Temperature range                                  | -40→+80 °C               |