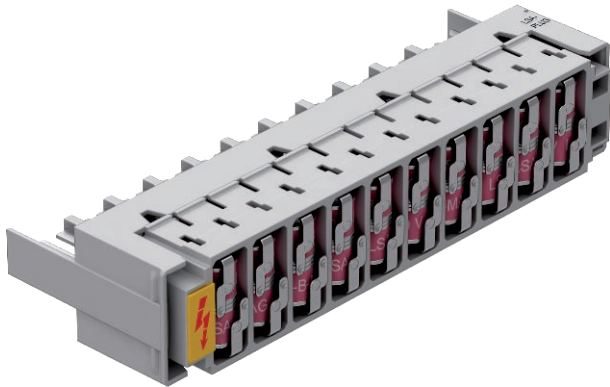


Technical data sheet

LSA basic protection magazine

Item no. 5084020



LSA basic protection magazine for use in multi-core data cable systems, MCR systems and telephone switchboards.

- Basic protection
- Equipped with 20 gas arresters
- Max. voltage: 180 V

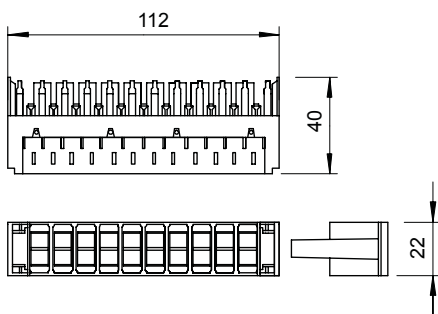
Application: Directly on LSA-Plus separating strips or connection rails (e.g. OBO LSA-A-LEI (5084 00 8) or OBO LSA-T-LEI (5084 01 2)).



Additional product text 1

Basic protection magazine to protect 10 two-cores.

Dimensions

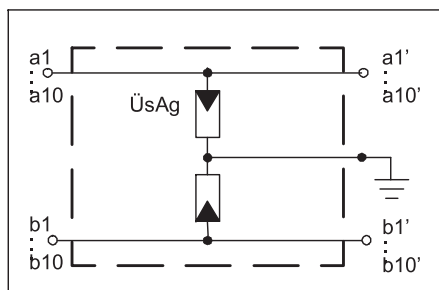


Master data

Item no.	5084020
Type	LSA-B-MAG
Description 1	Basic protection magazine
Description 2	10 double wires for LSA Plus
Dimension	180V
Smallest sales unit (VG)	1,00 Piece
Weight	8,60 kg/100 pc.

Item no. 5084020

Technical data



Category	Type 1+2 / D1+C2
SPD to IEC 61643-21	Class I+II / D1+C2
Version	Basic protection
Number of poles	20,00
Total discharge current (8/20)	10 kA
Total discharge current (10/350)	1 kA
Maximum continuous voltage AC	120,00 V
Maximum continuous voltage DC	180,00 V
Insulation resistance	> 1 GΩ
Impulse discharge current (10/350)	0,50 kA
Capacity (wire-wire)	< 10 pF
Capacity (wire-earth)	< 10 pF
Lightning protection zone LPZ	0→2
Rated current	1,00 A
Nominal load current AC	0,70 A
Nominal load current DC	1,00 A
Installation type	LSA-Plus, connectable
Testing standard	IEC 61643-21
Protection rating	IP20
Protection level @ C1	<750 V
Connection system	Other
Impulse durability wire-wire	C2: 10 kV / 5 kA (8/20μs)
Impulse durability wire-earth	C2: 10 kV / 5 kA (8/20μs)
Temperature range	-40+80 °C